

FIRE REEL INSTALLATION

FIXED HOSE REEL 'RED EMPEROR'

GENERAL

Galvin Engineering fire hose reels are manufactured in accordance with Australian Standard AS1221. The products are certified by SAI Global (Licence No. SMK20602). The reel must not be modified or dismantled before or during installation as such action would nullify the product certification.

The 19mm fire hose reels comply with the discharge requirement of 0.45 litres/sec at an inlet pressure of 220 ± 10 kPa. The supply of water shall be sufficient to enable the hose to deliver a minimum of 0.33 litres/sec. (Our test shows the flow rate of 0.35 litres/sec is achieved at a pressure at the stop cock of not less than 110 kPa with either a Type 1 or Type 2 nozzle). Where the water supply does not comply with this requirement, the installation of a fire hose reel is not recommended.

Where the fire hose reel is to be installed in an external situation or an aggressive environment, it shall be protected by a cabinet or other suitable means.

LOCATION & MOUNTING REQUIREMENTS

- a) Each hose reel shall be located in a readily accessible position and its location shall be clearly indicated. They shall not be installed in fire-isolated exits unless approval is obtained from the Regulatory Authority.

Where a fire hose reel is obscured by storage racks or other obstructions, its location shall be indicated by a sign with the words *FIRE HOSE REEL*, not less than 50mm high on a contrasting background. The sign shall comply with AS1319 and be readily visible to occupants in the protected area.

- b) The hose reel assembly shall be mounted so that the full diameter of the drum is facing the access point.
c) The hose reel assembly shall be suitably mounted at a spindle height of between 1.5m and 2.4m above floor level. The valve shall be mounted at 1 ± 0.1 m above floor level. See figure on page 3 of these instructions.

(NOTE: The recommended mounting height of the centre of the hose reel is 1.5m above floor level).

- d) The stop valve assembly and operating instructions (located on front disc) shall be visible and readily accessible when the hose reel is installed, and shall be not more than 2m from the spindle of the hose reel assembly. A clearance of not less than 100mm shall be provided around the valve handwheel.
e) Wherever the hose reel is mounted, there shall be a minimum radial clearance of 100mm between the reel rim and any obstructions which do not form part of the hose assembly.
f) The hose reel shall be mounted and installed so that there is no interference with the running out of the hose in any direction.

<http://gal-sql/doc/Company Forms/Fire Reel Fixed Hose Reels - Red Emperor.doc> Page 1

410 Victoria Road, Malaga, WA 6090
PO Box 2063, Malaga, WA 6944

P: +61 (0)8 9249 5900
F: +61 (0)8 9249 5916
email@galvinengineering.com.au
www.galvinengineering.com.au

ABN 78 008 719 382

Customised commercial water control products

PERTH | SYDNEY | MELBOURNE | BRISBANE

- g) Where a hose reel is fixed in a recess, the hose guide shall protrude beyond the recess when the hose is run out. (A special 'remote swing arm' is available upon request for difficult situations).
- h) The structure on which the hose reel is mounted shall be capable of supporting the mass of the charged hose reel assembly and withstanding the forces which may be applied when the hose reel is used.

INSTALLATION

This hose reel should be installed in accordance with AS2441 or NZS4503. The following instructions incorporate extracts from AS2441.

FASTENERS REQUIRED (NOT SUPPLIED WITH REEL)			
Mounting Structure	No of Fasteners		Type Of Fastener Recommended
	F1	F2	
Brick, Masonary, Concrete	4	6	10mm mm Zinc Plated Loxin Bolt (or equivalent)
Timber Posts	4	6	10mm mm Zinc Plated Coach Screws (or equivalent)
Timber Panel	4	6	10mm Zinc Plated Bolts with nuts & washers (or equivalent)

1. Mark out the four mounting holes as per figure on page 3 of these instructions. A template of the holes is supplied on page 4 if required.
2. Drill the holes as marked to suit the relevant fasteners.
3. Fit and expand the loxins, rawplugs, dynabolts or equivalent, then remove the bolts (loxins) or nuts (rawplugs or dynabolts).
4. Loosely fit the bolts (loxins) or the nuts (rawplugs or dynabolts) onto the top two fasteners.
5. Lift the fire hose reel into position ensuring the wall bracket fits over the two top fasteners.
6. Fit the bottom two fasteners.
7. Tighten the four fasteners securely.
8. Connect the stop cock onto the water supply.
9. Connect the union halves together.
10. Carry out the fire reel commissioning procedure as laid down in AS2441 or NZS4503. (See page 4 of these instructions).

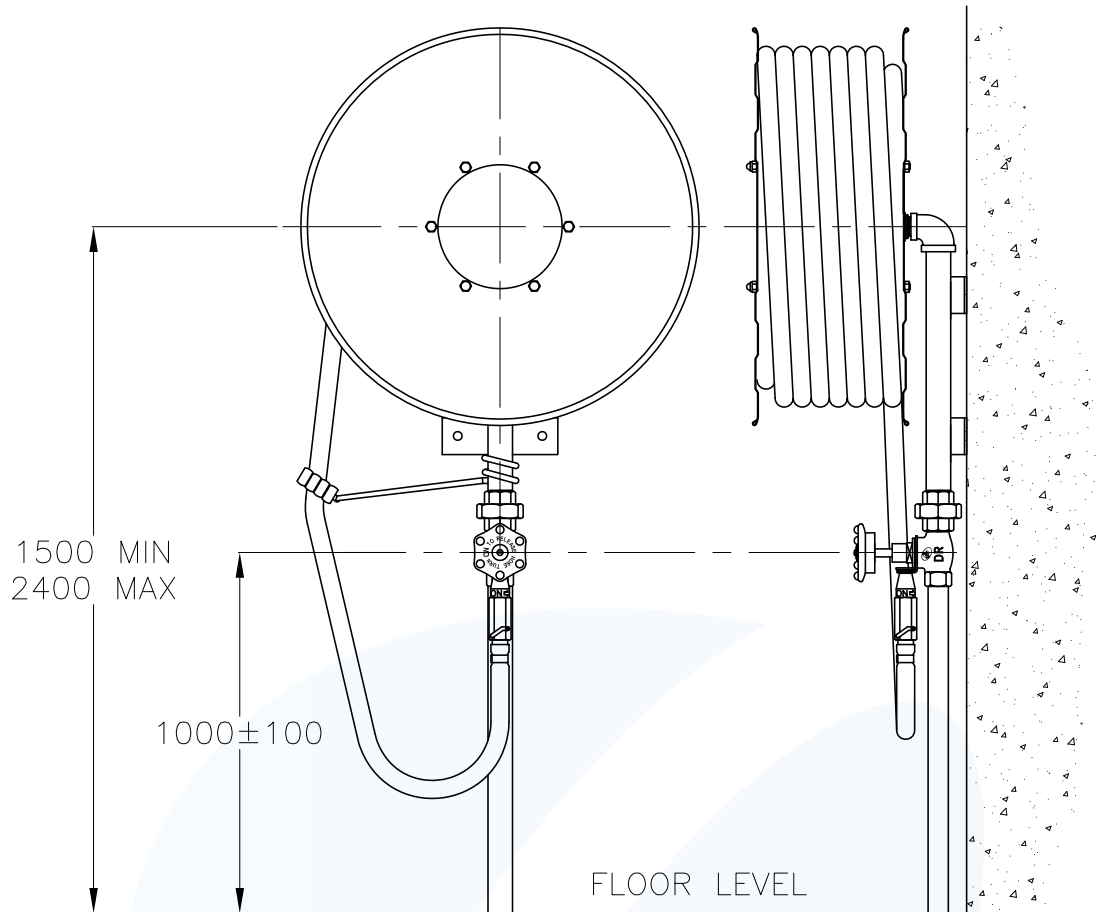
<http://gal-sql/doc/Company Forms/Fire Reel Fixed Hose Reels - Red Emperor.doc> Page 2

410 Victoria Road, Malaga, WA 6090
 PO Box 2063, Malaga, WA 6944

P: +61 (0)8 9249 5900
 F: +61 (0)8 9249 5916
 email@galvinengineering.com.au
www.galvinengineering.com.au

ABN 78 008 719 382

Customised commercial water control products



<http://gal-sql/doc/Company Forms/Fire Reel Fixed Hose Reels - Red Emperor.doc> Page 3

410 Victoria Road, Malaga, WA 6090
 PO Box 2063, Malaga, WA 6944

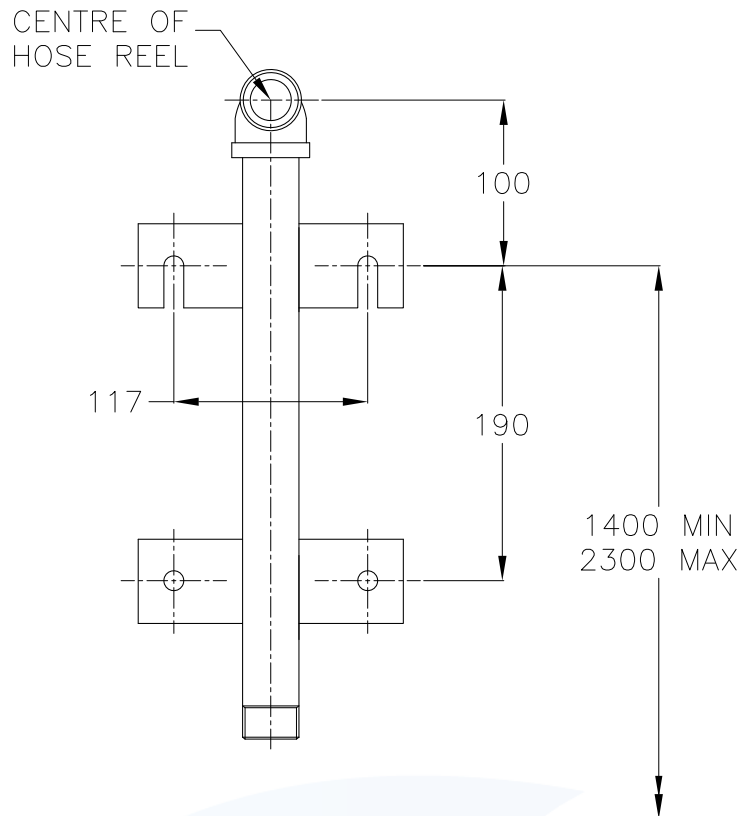
P: +61 (0)8 9249 5900
 F: +61 (0)8 9249 5916
 email@galvinengineering.com.au
www.galvinengineering.com.au

ABN 78 008 719 382

Customised commercial water control products

PERTH | SYDNEY | MELBOURNE | BRISBANE





MOUNTING HOLE DETAIL



COMMISSIONING PROCEDURE

After installation of the assembly, the following points must be checked:

- a) Leakage of water does not exceed 5ml in 3 min from the valve gland or discharge nozzle assembly with the hose pressurized and the nozzle closed.
- b) The hose can be withdrawn easily in any direction, ie. the hose shall be capable of being unwound when subject to an initial horizontal pull not exceeding 100N (see 'reel unwind test' in AS1221).
- c) The flow rate with the nozzle in the jet mode is operational by discharging water into a container. The rate of flow shall be not less than 0.33 litres/sec.
- d) Any defects found are corrected.
- e) The hose is fully charged before being rewound in even layers, the nozzle re-engaged correctly in the interlock, the valve is shut off.
- f) The discharge nozzle has been opened and then closed to depressurize the hose.

OPERATION

Refer to the pictorial operating and rewind instructions located on the front disc of the fire hose reel itself.

MAINTENANCE

It is recommended that this hose reel be maintained in accordance with AS1851.2 'Maintenance Of Fire Reel Protection Equipment - Part 2 Fire Hose Reels' or NZS 4503.

All 6 monthly and 12 monthly inspections and service should be carried out by qualified and experienced personnel who are familiar with AS1851.2 requirements for maintenance records and tagging.

Whilst all reasonable care has been taken in compiling the information in this document, the designs, dimensions and products shown are indicative only and should not be relied on without our prior approval. Due to our policy of continuous development, we reserve the right to alter any details of specifications or product without notice.