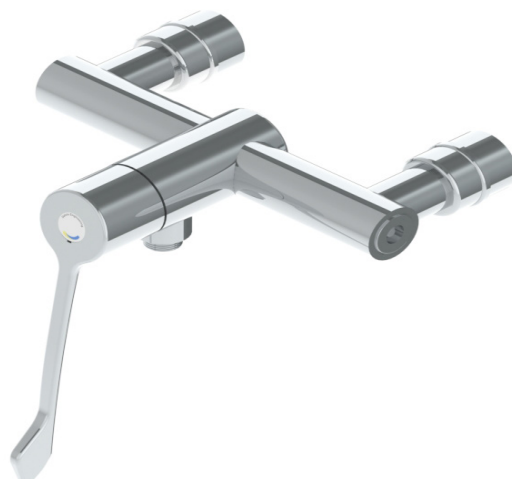


CliniMix® Lead Safe™ Exposed Thermostatic Progressive Shower Mixer - Lever

Specification Data Sheet



Features

- Australia's first Lead Safe™ progressive mixer range is AS/NZS 4020 tested and certified to AS 4032.4
- Manufactured using Lead Safe™ DZR Brass with less than 0.25% lead content*
- Unique thermal disinfection bypass feature
- Enables water to be mixed closer to the point of discharge. This minimises warm water becoming stagnant which can provide an ideal condition for Legionella bacteria to grow
- Smooth internal and external components to decrease dirt build up
- The long lever sequential control handle is easy to access for users and provides more precise control of temperature
- Water flow always starts from cold for safe usage
- Fast and easy to clean
- All servicing and commissioning can be done without removing the device. Easy to access isolators helps to minimise the time of commissioning and maintenance
- Designed to provide stable mixed temperature and rapid shut down in the event of cold or hot water supply failure

To Specify

This innovative Point of Use Thermostatic Progressive Mixer provides state of the art safety features to comply with the latest healthcare requirements.

The single lever operates on/off and temperature control for straight forward operation, simplifying hand wash procedures and the long arm is operated with elbows to avoid hand contact or cross-contamination.

Suitable for high and low pressure systems it can be set to deliver a thermostatically controlled water temperature up to 48°C maximum.

Robust and reliable, our CliniMix® Lead Safe™ thermostatic progressive shower mixer is water conserving and cost-effective.

Code:

100.31.71.00 - CliniMix® Lead Safe™ Exposed Thermostatic Progressive Shower Mixer - Lever



A family
owned
Australian
business



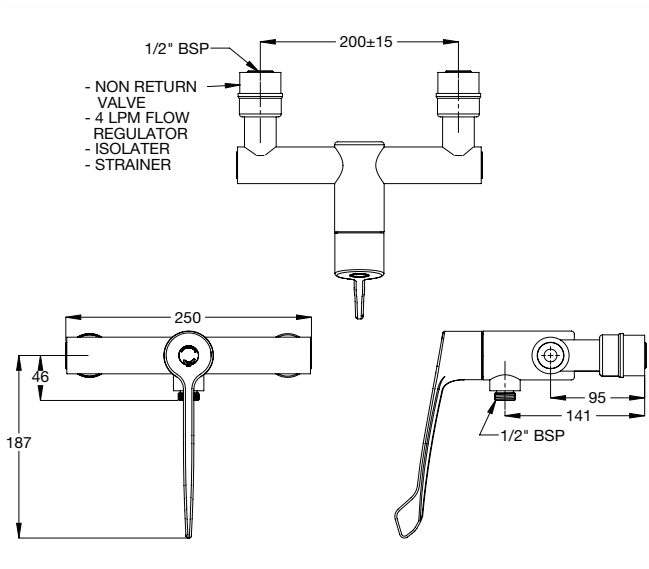
Performance Standards & Approvals

- AS 4032.4 – WaterMark



WaterMark
AS 4032.4 Lic. WMKA21989
SAI Global

Typical Dimensions



Technical Information

- Inlet: 1/2" BSP - Female
- Outlet: 1/2" BSP - Male
- Headwork: Thermostatic Mixing Valve
- Working Pressure Range (kPa): 20 Min - 500 Max
- Working Temperature Range (°C): 5 Min - 85 Max
- Minimum Temp. Differential (Between Supply and Outlet Temp.) (°C): 10
- Adjustable Temperature Range (°C): 35 Min - 48 Max
- Permitted Supply Pressure Variation: 10:1
- Factory Set Thermostatic Temperature (°C): 41
- Minimum Flow Rate for Stable Outlet Temp. (LPM): 6
- Nominal Flow Rate (LPM): 8
- Construction: Lead Safe™ DZR Brass*
- Finish: Chrome

*As 'lead free' is not currently defined by law in Australia and New Zealand, we have based our definition of Lead Safe™ on the requirements of s1417 of the USA's Safe Drinking Water Act (SDWA) and the relevant US standards NSF61 / NSF372. The SDWA defines 'lead free' as "not more than a weighted average of 0.25% lead when used with respect to the wetted surface of pipes, pipe fittings, plumbing fittings and fixtures".

Maintenance & Cleaning

Galvin Specialised products should be cleaned with a soft damp cloth using only mild liquid detergent or soap and water. Do not use cleaning agents containing a corrosive acid, scouring agent or solvents. Do not use cream cleaners, as they are abrasive. Use of unsuitable cleaning agents may damage the surface. Any damage caused in this way will not be covered by warranty.

Regular maintenance should be carried out in accordance with the installation and troubleshooting guides provided with the product, relevant Australian Standards, local authorities and state codes.

As part of maintaining a safe and reliable plumbing system, we recommend tapware and valves are operated on at least a daily basis.

Warranty

Galvin Engineering products are covered under our Manufacturer's Warranty at www.galvinengineering.com.au. Galvin Engineering products must be installed in accordance with the installation instructions and in accordance with AS3500 and the PCA, relevant Australian Standards and local authorities applicable to product being installed. Water and electrical supply conditions must also comply to the applicable national and/or state standards, failing to comply with these provisions may void the product warranty and affect performance of the product.

Whilst all reasonable care has been taken in compiling the information in this document, the designs, dimensions and products shown are indicative only and should not be relied upon without our prior approval. Due to our policy of continuous development, we reserve the right to alter any details of specifications or products without notice. All information, drawings, technical specifications and product designs remains the property of Galvin Engineering Pty Ltd.

Within Australia: **1300 514 074** Outside Australia: P: +61 (0)8 9338 2344

F: +61 (0)8 9338 2340

sales@galvinengineering.com.au

www.galvinengineering.com.au

ABN: 78 008 719 382

A business unit of

GalvinEngineering
the mark of reliability



PERTH | SYDNEY | MELBOURNE | BRISBANE | ADELAIDE | UNITED STATES OF AMERICA | UNITED KINGDOM | NEW ZEALAND