

CliniMix® Lead Free Progressive Thermostatic Inwall Shower Mixer

Specification Data Sheet



Features

- Australia's first lead free progressive mixer range is AS/NZS 4020 tested and certified to AS 4032.4.
- The first Australian approved progressive mixer with an inbuilt thermal disinfection facility, helping to minimise bacteria buildup. Kit sold separately.
- Manufactured using high quality solid brass with less than 0.25% lead content.
- Enables hot and cold water to be mixed at the point of discharge, reducing warm water stagnation which can provide ideal conditions for Legionella growth.
- Designed to provide stable mixed temperature and rapid shut down in the event of cold or hot water supply failures.
- The long lever handle provides precise control of flow and temperature. Water flow always starts from cold for safe operation.
- Easy to access isolators help to minimise the time for commissioning and maintenance.

- Clean smooth lines which facilitate fast and easy cleaning and coordinate well with our current ranges of healthcare taps.

To Specify

This new design may be used in shower applications and, provides state of the art features to comply with healthcare requirements.

The single lever handle operates on/off temperature controls for straight forward operation, and simplifying the showering of patients.

Suitable for high and low pressure systems it can be set to deliver a thermostatically controlled water temperature of 45°C maximum.

Code:

100.50.72.00 - CliniMix® Lead Free Inwall Thermostatic Progressive Shower Mixer - Lever.



A family
owned
Australian
business

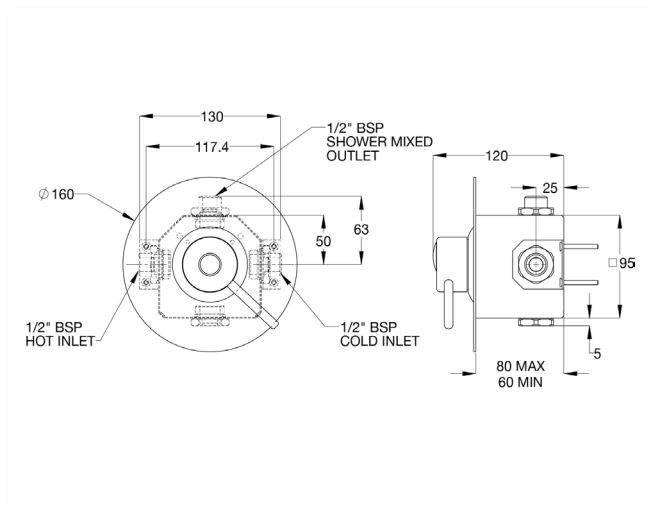


Performance Standards & Approvals

- AS 4032.4 – WaterMark



Typical Dimensions



Warranty

Galvin Engineering products are covered under our Manufacturer's Warranty at www.galvinengineering.com.au. Galvin Engineering products must be installed in accordance with the installation instructions and in accordance with AS3500 and the PCA, relevant Australian Standards and local authorities applicable to product being installed. Water and electrical supply conditions must also comply to the applicable national and/or state standards, failing to the applicable national and/or state standards, failing to comply with these provisions may void the product warranty and affect performance of the product.

Technical Information

- Inlet: 1/2" BSP
- Outlet: 1/2" BSP Shower Outlet
- Headwork: Thermostatic Mixing Valve
- Working Pressure Range (kPa): 20 - 500
- Working Temperature Range (°C): 5 - 85
- Permitted Supply Pressure Variation: 10:1
- Mixed Temperature Range (°C): 35 - 45
- Factory Set Thermostatic Temp. Range (°C): 39 - 41
- Operating Temperature Range (°C): Full cold - 45
- Flow Rate (LPM): 6 Min - 15 Max
- Construction: Lead Free Brass*
- Finish: Chrome

*As 'lead free' is not currently defined by law in Australia and New Zealand, we have based our definition on s1417 of the USA's Safe Drinking Water Act (SDWA) and the relevant US standards NSF61 / NSF372. The SDWA defines 'lead free' as "not more than a weighted average of 0.25% lead when used with respect to the wetted surface of pipes, pipe fittings, plumbing fittings and fixtures".

Maintenance & Cleaning

Galvin Engineering products should be cleaned with a soft damp cloth using only mild liquid detergent or soap and water. Do not use cleaning agents containing a corrosive acid, scouring agent or solvents. Do not use cream cleaners, as they are abrasive. Use of unsuitable cleaning agents may damage the surface. Any damage caused in this way will not be covered by warranty.

Regular maintenance should be carried out in accordance with the installation and troubleshooting guides provided with the product, relevant Australian Standards, local authorities and state codes.

As part of maintaining a safe and reliable plumbing system, we recommend tapware and valves are operated on at least a daily basis.

Whilst all reasonable care has been taken in compiling the information in this document, the designs, dimensions and products shown are indicative only and should not be relied upon without our prior approval. Due to our policy of continuous development, we reserve the right to alter any details of specifications or products without notice. All information, drawings, technical specifications and product designs remains the property of Galvin Engineering Pty Ltd.

Within Australia: **1300 514 074** Outside Australia: P: +61 (0)8 9338 2344

F: +61 (0)8 9338 2340

sales@galvinengineering.com.au

www.galvinengineering.com.au

ABN: 78 008 719 382



PERTH | SYDNEY | MELBOURNE | BRISBANE | ADELAIDE | UNITED STATES OF AMERICA | UNITED KINGDOM | NEW ZEALAND