

CliniMix® Lead Free Progressive Thermostatic Inwall Shower Mixer with GalvinCare® Anti-Ligature Handle

Specification Data Sheet



Features

- Australia's first lead free progressive mixer range is AS/NZS 4020 tested and certified to AS 4032.4.
- The first Australian approved progressive mixer with an inbuilt thermal disinfection facility, helping to minimise bacteria buildup. Kit sold separately.
- Manufactured using high quality solid brass with less than 0.25% lead content.
- Enables hot and cold water to be mixed at the point of discharge, reducing warm water stagnation which can provide ideal conditions for legionella growth.
- Designed to provide stable mixed temperature and rapid shut down in the event of cold or hot water supply failures.
- Easy to access isolators help to minimise the time for commissioning and maintenance.
- Smooth internal components and body, reduces scale build-up and bacteria growth.
- Easy to use GalvinCare® control handle minimises ligature risk.

- Water flow starts from cold ensuring safe usage.
- Clean smooth lines which facilitate fast and easy cleaning and coordinates well with our current healthcare tap ranges.

To Specify

This new design may be used in shower applications and, provides state of the art features to comply with healthcare requirements.

The GalvinCare® handle operates on/off and temperature controls for straightforward operation.

Suitable for high and low pressure systems it can be set to deliver a thermostatically controlled water temperature of 45°C maximum.

Code:

100.50.75.02 - CliniMix® Lead Free Inwall Thermostatic Progressive Shower Mixer with GalvinCare® Handle (Hot and Cold).



A family
owned
Australian
business

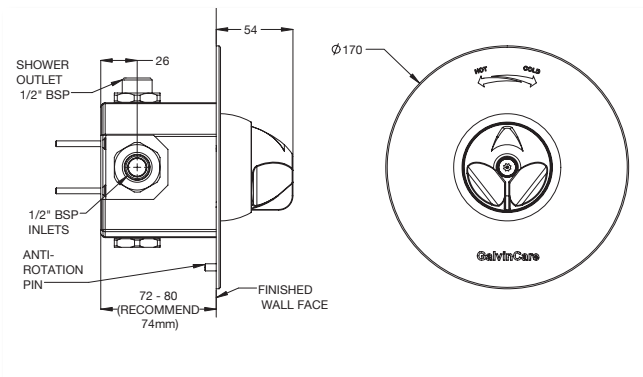


Performance Standards & Approvals

- AS 4032.4 – WaterMark



Typical Dimensions



Warranty

Galvin Engineering products are covered under our Manufacturer's Warranty at www.galvinengineering.com.au. Galvin Engineering products must be installed in accordance with the installation instructions and in accordance with AS3500 and the PCA, relevant Australian Standards and local authorities applicable to product being installed. Water and electrical supply conditions must also comply to the applicable national and/or state standards, failing to comply with these provisions may void the product warranty and affect performance of the product.

Technical Information

- Inlet: 1/2" BSP
- Outlet: 1/2" BSP
- Headwork: Thermostatic Mixing Valve
- Working Pressure Range (kPa): 20 - 500
- Working Temperature Range (°C): 5 - 85
- Permitted Supply Pressure Variation: 10:1
- Mixed Temperature Range (°C): 35 - 45
- Factory Set Thermostatic Temp. Range (°C): 39 - 41
- Operating Temperature Range (°C): Full cold - 45
- Flow Rate (LPM): 6 Min - 15 Max
- Construction: Lead Free Brass*
- Finish: Chrome

*As 'lead free' is not currently defined by law in Australia and New Zealand, we have based our definition on s1417 of the USA's Safe Drinking Water Act (SDWA) and the relevant US standards NSF61 / NSF372. The SDWA defines 'lead free' as "not more than a weighted average of 0.25% lead when used with respect to the wetted surface of pipes, pipe fittings, plumbing fittings and fixtures".

Maintenance & Cleaning

Galvin Engineering products should be cleaned with a soft damp cloth using only mild liquid detergent or soap and water. Do not use cleaning agents containing a corrosive acid, scouring agent or solvents. Do not use cream cleaners, as they are abrasive. Use of unsuitable cleaning agents may damage the surface. Any damage caused in this way will not be covered by warranty.

Regular maintenance should be carried out in accordance with the installation and troubleshooting guides provided with the product, relevant Australian Standards, local authorities and state codes.

As part of maintaining a safe and reliable plumbing system, we recommend tapware and valves are operated on at least a daily basis.

In the absence of a legal or industry definition of anti-ligature or ligature resistant products, when we use these terms, we are referring to products that are designed and manufactured with the intention of reducing the risk of ligature attachment to the product(s). Galvin Engineering Pty Ltd will always endeavour to design and test our anti-ligature product(s) to reduce the risk of product ligature attachment that may result in serious injury or death. Whilst all reasonable measures are taken at the time of design, the anti-ligature design of the products are not intended to and will not:

- Replace protective measures that need to be taken in the specific circumstances of usage;
- Substitute the need for supervision of those who may be at risk;
- Protect and or prevent those at risk against any self-harm instances that may occur when installed; and
- Protect and or prevent injury when the risks were unknown to us at the time of the design of the product(s).

Galvin Engineering Pty Ltd does not offer and does not represent or warrant that any product(s) for sale that are ligature-free.

Therefore, Galvin Engineering will not be liable for any claims, loss, or damages arising from ligature attachment on our products. It is the purchaser's responsibility to ensure that products purchased and installed are suitable for the environments in which they are installed, and suitable supervision and protective measures are in place to protect those at risk.

Whilst all reasonable care has been taken in compiling the information in this document, the designs, dimensions and products shown are indicative only and should not be relied upon without our prior approval. Due to our policy of continuous development, we reserve the right to alter any details of specifications or products without notice. All information, drawings, technical specifications and product designs remains the property of Galvin Engineering Pty Ltd.

Within Australia: **1300 514 074** Outside Australia: P: +61 (0)8 9338 2344

F: +61 (0)8 9338 2340

sales@galvinengineering.com.au

www.galvinengineering.com.au

ABN: 78 008 719 382



PERTH | SYDNEY | MELBOURNE | BRISBANE | ADELAIDE | UNITED STATES OF AMERICA | UNITED KINGDOM | NEW ZEALAND