

CliniMix® Lead Safe™ Thermostatic Mixing Valve

Specification Data Sheet



Features

- Manufactured using Lead Safe™ DZR Brass with less than 0.25% lead content*.
- Easy in-situ servicing with body o'ring on the removeable cartridge.
- Available with hot and cold thermal flush kit – not just hot side.
- Safe, simple and easy to maintain. Flat faced connections allow removal of the valve without disturbing the pipework.
- In the event of either hot or cold water supply failure the valve will shut down, quickly restoring flow when normal conditions resume.
- Suitable for installation in low pressure systems and will operate with a working pressure as low as 20kPA.
- Water temperature is established at plus or minus 2 degrees even during water pressure or temperature fluctuations.
- Units come complete with right angles isolating ball valve, non-return valve and strainer assemblies.
- Can be installed in any configuration with the water outlet in the horizontal or vertical position, and inlet connections can be rotated to suit inlet pipework.

To Specify

Our CliniMix® Lead Safe™ range of thermostatic mixing valve range, are designed to protect the most vulnerable from scalding or cold water shock by providing tempered water to the desired outlets that comply to the relevant Australian Standards.

Code:

101.70.00.00 - CliniMix® Lead Safe™ Thermostatic Mixing Valve with 15mm Inlets & 15/20mm Outlet



A family
owned
Australian
business

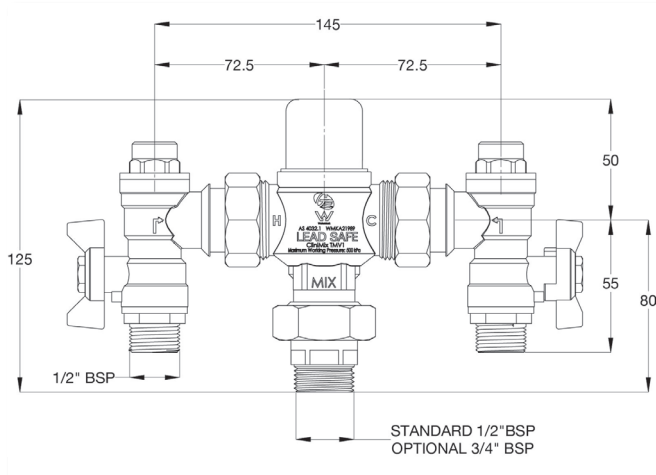


Performance Standards & Approvals

- AS4032.1 – WaterMark

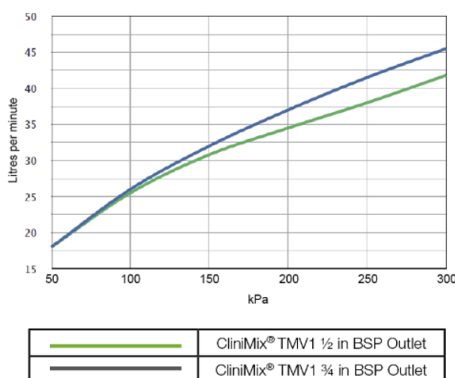


Typical Dimensions



Model	D1	L1	L2	L3	H1	H2	H3	H4
CliniMix TMV1 1/2" BSP Outlet	1/2" BSP / 15mm	145	72.5	217	125	80	50	65
CliniMix TMV1 Optional 3/4" BSP Outlet Adaptor	3/4" BSP / 20mm	145	72.5	217	125	80	50	65

Pressure Loss Ratio



Warranty

Galvin Engineering products are covered under our Manufacturer's Warranty at www.galvinengineering.com.au. Galvin Engineering products must be installed in accordance with the installation instructions and in accordance with AS3500 and the PCA, relevant Australian Standards and local authorities applicable to product being installed. Water and electrical supply conditions must also comply to the applicable national and/or state standards, failing to comply with these provisions may void the product warranty and affect performance of the product.

Whilst all reasonable care has been taken in compiling the information in this document, the designs, dimensions and products shown are indicative only and should not be relied upon without our prior approval. Due to our policy of continuous development, we reserve the right to alter any details of specifications or products without notice. All information, drawings, technical specifications and product designs remains the property of Galvin Engineering Pty Ltd.

Technical Information

- Inlet: 1/2" BSP - Male
- Outlet: 1/2" or 3/4" BSP - Male
- Headwork: Thermostatic Mixing Valve
- Working Pressure Range (kPa): 20 Min - 500 Max
- Hot Supply Temperature Range (°C): 60 Min - 90 Max
- Cold Supply Temperature Range (°C): 5 Min - 25 Max
- Adjustable Temperature Range (°C): 35 Min - 48 Max
- Maximum Inlet pressure Ratio: 6:1
- Factory Set Thermostatic Temperature (°C): 43.5
- Minimum Flow Rate for Stable Outlet Temp. (LPM): 6
- Construction: Lead Safe™ DZR Brass*
- Finish: Nickel Plated

*As 'lead free' is not currently defined by law in Australia and New Zealand, we have based our definition on s1417 of the USA's Safe Drinking Water Act (SDWA) and the relevant US standards NSF61 / NSF372. The SDWA defines 'lead free' as "not more than a weighted average of 0.25% lead when used with respect to the wetted surface of pipes, pipe fittings, plumbing fittings and fixtures".

Maintenance & Cleaning

Galvin Specialised products should be cleaned with a soft damp cloth using only mild liquid detergent or soap and water. Do not use cleaning agents containing a corrosive acid, scouring agent or solvents. Do not use cream cleaners, as they are abrasive. Use of unsuitable cleaning agents may damage the surface. Any damage caused in this way will not be covered by warranty.

Regular maintenance should be carried out in accordance with the installation and troubleshooting guides provided with the product, relevant Australian Standards, local authorities and state codes.

As part of maintaining a safe and reliable plumbing system, we recommend tapware and valves are operated on at least a daily basis.

Within Australia: **1300 514 074** Outside Australia: P: +61 (0)8 9338 2344
 F: +61 (0)8 9338 2340
sales@galvinengineering.com.au
www.galvinengineering.com.au
 ABN: 78 008 719 382

A business unit of

GalvinEngineering
the mark of reliability



PERTH | SYDNEY | MELBOURNE | BRISBANE | ADELAIDE | UNITED STATES OF AMERICA | UNITED KINGDOM | NEW ZEALAND