

# Ezy-Lever CP-BS Lead Safe™ Timeflow Lever Action Vandal Resistant Pillar Tap

Specification Data Sheet



## Features

- Manufactured using high quality DZR solid brass with less than 0.25% lead content\*
- Complies with NSW Education EFSG Guidelines
- Ergonomic design
- Water-saving and vandal resistant
- Easy to operate
- Low maintenance
- High quality chrome finish for easy cleaning and hygiene maintenance
- Australian Made; therefore, spare parts and support are available locally, reducing maintenance and downtime costs

## To Specify

Australian Made AS/NZS 3718 approved, Galvin Specialised Ezy-Lever CP-BS Lead Safe™ Timeflow Lever Action Pillar Vandal Resistant Pillar Tap is ideal for use in schools, end of trip facilities, washrooms and areas of high use.

Our Ezy-Lever CP-BS Lead Safe™ Timeflow Lever Action Vandal Resistant Pillar Tap is water conserving and cost-effective.

The design of our timeflow tapware allows water to flow for 6 seconds in pillars and 15 seconds for showers.

### Code:

**173.15.23.00** – Ezy-Lever CP-BS Lead Safe™ Timeflow Lever Action Vandal Resistant Pillar Tap



A family  
owned  
Australian  
business



**galvinspecialised**  
commercial taps + fixtures

## Performance Standards & Approvals

- AS/NZS 3718 – WaterMark
- WELS 5 Star Rating



**WaterMark**  
AS/NZS 3718 Lic. WMKA0034  
SAI Global

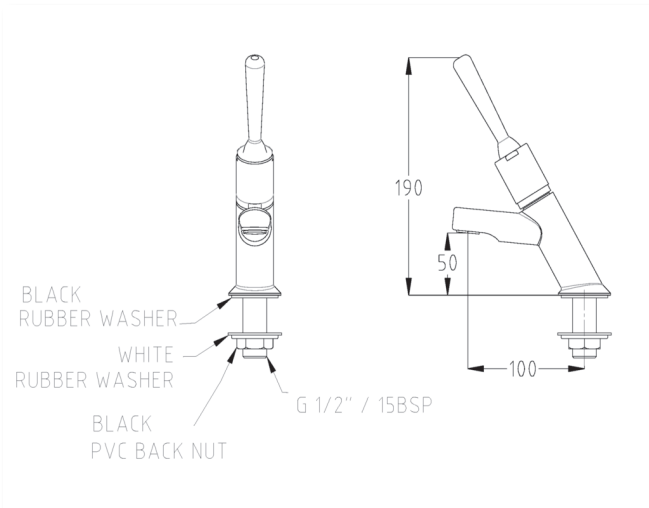


## Technical Information

- Inlet: 1/2" BSP - Male
- Outlet: Flow Straightener
- Headwork: Time Flow Cartridge
- Working Pressure Range (kPa): 100 Min - 500 Max
- Working Temperature Range (°C): 5 Min - 65 Max
- Nominal Flow Rate (LPM): 4.8
- Construction: Lead Safe™ DZR Brass\*
- Finish: Chrome

\*As 'lead free' is not currently defined by law in Australia and New Zealand, we have based our definition on s1417 of the USA's Safe Drinking Water Act (SDWA) and the relevant US standards NSF61 / NSF372. The SDWA defines 'lead free' as "not more than a weighted average of 0.25% lead when used with respect to the wetted surface of pipes, pipe fittings, plumbing fittings and fixtures".

## Typical Dimensions



## Maintenance & Cleaning

Galvin Specialised products should be cleaned with a soft damp cloth using only mild liquid detergent or soap and water. Do not use cleaning agents containing a corrosive acid, scouring agent or solvents. Do not use cream cleaners, as they are abrasive. Use of unsuitable cleaning agents may damage the surface. Any damage caused in this way will not be covered by warranty.

Regular maintenance should be carried out in accordance with the installation and troubleshooting guides provided with the product, relevant Australian Standards, local authorities and state codes.

As part of maintaining a safe and reliable plumbing system, we recommend tapware and valves are operated on at least a daily basis.

## Warranty

Galvin Engineering products are covered under our Manufacturer's Warranty at [www.galvinengineering.com.au](http://www.galvinengineering.com.au). Galvin Engineering products must be installed in accordance with the installation instructions and in accordance with AS3500 and the PCA, relevant Australian Standards and local authorities applicable to product being installed. Water and electrical supply conditions must also comply to the applicable national and/or state standards, failing to comply with these provisions may void the product warranty and affect performance of the product.

Whilst all reasonable care has been taken in compiling the information in this document, the designs, dimensions and products shown are indicative only and should not be relied upon without our prior approval. Due to our policy of continuous development, we reserve the right to alter any details of specifications or products without notice. All information, drawings, technical specifications and product designs remains the property of Galvin Engineering Pty Ltd.

Within Australia: **1300 514 074** Outside Australia: P: +61 (0)8 9338 2344  
F: +61 (0)8 9338 2340  
sales@galvinengineering.com.au  
[www.galvinengineering.com.au](http://www.galvinengineering.com.au)  
ABN: 78 008 719 382

A business unit of

**GalvinEngineering**  
the mark of reliability



PERTH | SYDNEY | MELBOURNE | BRISBANE | ADELAIDE | UNITED STATES OF AMERICA | UNITED KINGDOM | NEW ZEALAND