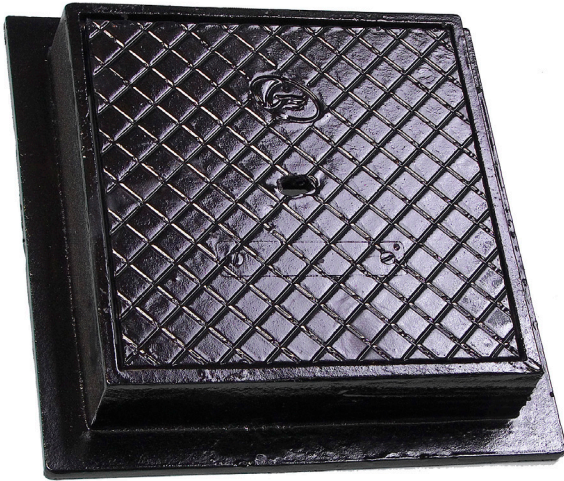




**redemperor**<sup>®</sup>  
fire + civil + plumbing

# Cast Iron Meter Box (Plain)

Specification Data Sheet



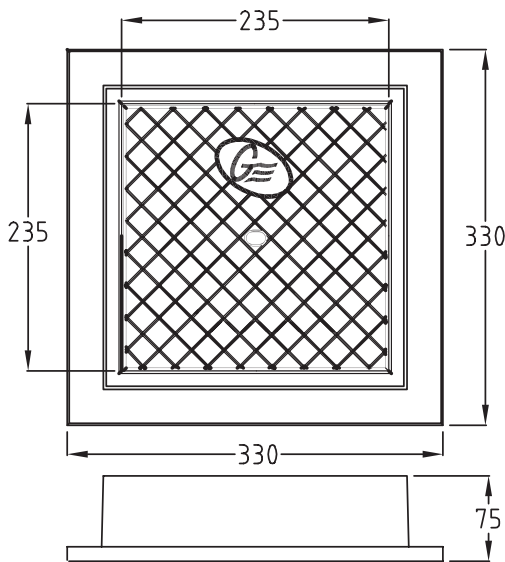
## 177923

Cast Iron Meter Box (Plain) 250mm x 250mm

### Features

- Standard with a heavy duty black bituminised coating.
- Highly specified and approved by authorities including the Water Corporation of WA.
- A range of valve covers, meter boxes and grates for many states of Australia. Made to the strictest quality standards.
- Designed to accept light slow moving traffic.

### Typical Dimensions



### Maintenance

Regular maintenance should be carried out in accordance with installation and troubleshooting guides provided with the product, the relevant Australian Standards, local authorities and state codes.

### Warranty

Red Emperor products are covered under our Manufacturer's Warranty at [www.galvinengineering.com.au](http://www.galvinengineering.com.au). Red Emperor products must be installed in accordance with the installation instructions and in accordance with AS3500, PCA, relevant Australian Standards and local authorities applicable to product being installed. Water and electrical supply conditions must also comply to the applicable national and/or state standards, failing to comply with these provisions may void the product warranty and affect performance of the product.

Whilst all reasonable care has been taken in compiling the information in this document, the designs, dimensions and products shown are indicative only and should not be relied upon without our prior approval. Due to our policy of continuous development, we reserve the right to alter any details of specifications or products without notice. All information, drawings, technical specifications and product designs remains the property of Galvin Engineering Pty Ltd.



**A family  
owned  
Australian  
business**

410 Victoria Rd, Malaga, WA 6090  
Within Australia: **1300 514 074**  
Outside Australia: P: +61 (0)8 9249 5900  
F: +61 (0)8 9249 5916  
[sales@galvinengineering.com.au](mailto:sales@galvinengineering.com.au)  
[www.red-emperor.com.au](http://www.red-emperor.com.au)