

HD Flat Vertical Rain Water Outlet (No Membrane) 150PVC/HDPE

Specification Data Sheet



Features

- Heavy duty Galvanised Ductile Iron grate
- Removable grate for ease of access
- Roof drain body fits various piping systems
- Large open area of the grate permits unrestricted water flow
- Ductile iron grate as per 150 1083/55/500-7/J to AS 1831
- Compiles with AS 3996 to Class D

Flow Rate Guide (litres/minute):

	Pressure head mm of water				
	20	30	40	50	100
Flow Rate (L/min)	400	450	475	480	-

The waste outlet was tested without any downstream pipework and results present a discharge through the fitting to atmospheric pressure.

To Specify

Ductile iron black enamel coated rain water drain with built in puddle flange and heavy duty galvanised ductile iron flat grate with stainless steel lock down screws.

Code:

285021 – HD Flat Vertical Rain Water Outlet
(No Membrane) 150PVC/HDPE

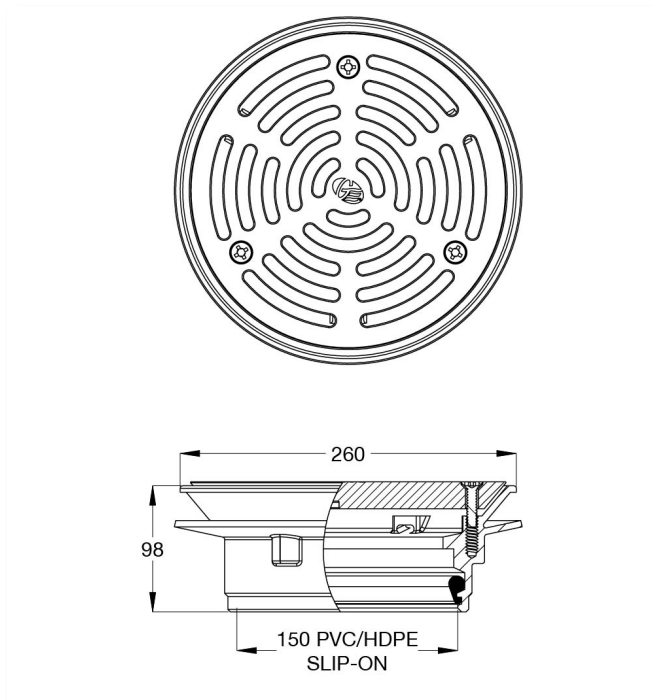


A family
owned
Australian
business



galvinspecialised
commercial taps + fixtures

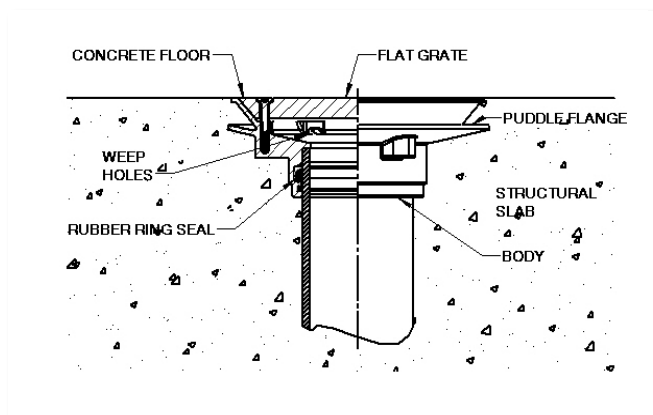
Typical Dimensions



Application

The Flat Grate Non Clamp Ring version outlet is primarily designed for concrete slabs/floors where no membrane is fitted (e.g. multi-story car parks, balconies, etc). The built in puddle flange will collect any water seepage around the outlet, and is discharged through the weep holes into the drain. This prevents moisture penetrating to lower levels.

Typical Installation



Warranty

Galvin Engineering products are covered under our Manufacturer's Warranty at www.galvinengineering.com.au. Galvin Engineering products must be installed in accordance with the installation instructions and in accordance with AS3500 and the PCA, relevant Australian Standards and local authorities applicable to product being installed. Water and electrical supply conditions must also comply to the applicable national and/or state standards, failing to comply with these provisions may void the product warranty and affect performance of the product.

Whilst all reasonable care has been taken in compiling the information in this document, the designs, dimensions and products shown are indicative only and should not be relied upon without our prior approval. Due to our policy of continuous development, we reserve the right to alter any details of specifications or products without notice. All information, drawings, technical specifications and product designs remains the property of Galvin Engineering Pty Ltd.

Within Australia: **1300 514 074** Outside Australia: P: +61 (0)8 9338 2344

F: +61 (0)8 9338 2340

sales@galvinengineering.com.au

www.galvinengineering.com.au

ABN: 78 008 719 382

A business unit of

GalvinEngineering
the mark of reliability



PERTH | SYDNEY | MELBOURNE | BRISBANE | ADELAIDE | UNITED STATES OF AMERICA | UNITED KINGDOM | NEW ZEALAND