



redemperor[®]
fire + civil + plumbing

Multi-Purpose Rain Water Outlet Vertical

Flat Clamp Ring Style

Specification Data Sheet



285115

Ductile Iron Multi-Purpose Heavy Duty Flat Vertical Rain Water Outlet (with Membrane and Clamp Ring) 150mm PVC/HDPE

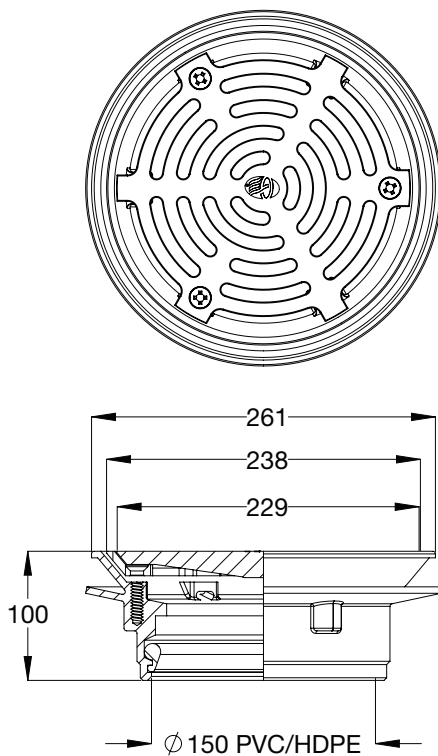
Specifications

Ductile iron grey enamel coated rain water drain with built in puddle flange and heavy duty galvanized ductile iron flat grate with stainless steel lock down screws.

Features

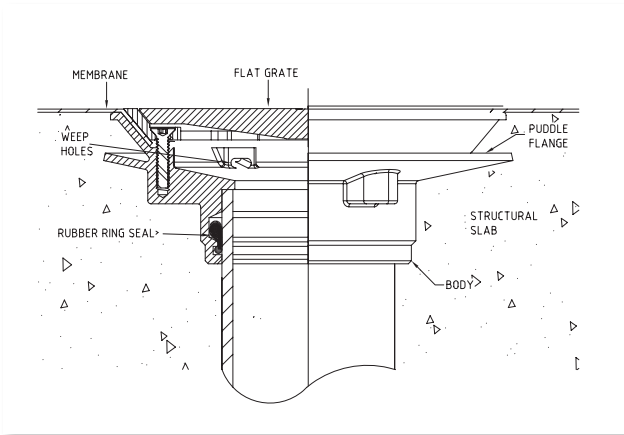
- Removable grate for ease of access, without disturbing the puddle flange
- Roof drain body fits various piping systems
- Large open area of the grate permits unrestricted water flow
- Ductile iron grate as per 150 1083/55/500-7/J to AS 1831
- Complies with AS 3966 to Class C

Typical Dimensions



A family
owned
Australian
business

Typical Installation



Note

- Slip on copper connection is available on request

Flow Rate Guide (litres/second):

Code	Inlet Size	Outlet Size	Pressure head mm of water			
			20	30	40	50
285115	245	150	4.9	7.4	10.0	10.9

Maintenance & Cleaning

Red Emperor products should be cleaned with a soft damp cloth using only mild liquid detergent or soap and water. Do not use cleaning agents containing a corrosive acid, scouring agent or solvents. Do not use cream cleaners, as they are abrasive. Use of unsuitable cleaning agents may damage the surface. Any damage caused in this way will not be covered by warranty.

Regular maintenance should be carried out in accordance with installation and troubleshooting guides provided with the product, the relevant Australian Standards, local authorities and state codes.

Tea staining is an installation and maintenance issue. To reduce the risk of tea staining, products should be regularly cleaned. In certain environments corrosion reducers/inhibitors may need to be regularly applied, and consideration should be given to the use of electropolishing or other surface coatings.

Note: It is recommended higher grades of stainless steel be specified for corrosive or coastal areas.

Warranty

Red Emperor products are covered under our Manufacturer's Warranty at www.galvinengineering.com.au. Red Emperor products must be installed in accordance with the installation instructions and in accordance with AS3500, PCA, relevant Australian Standards and local authorities applicable to product being installed. Water and electrical supply conditions must also comply to the applicable national and/or state standards, failing to comply with these provisions may void the product warranty and affect performance of the product.

Whilst all reasonable care has been taken in compiling the information in this document, the designs, dimensions and products shown are indicative only and should not be relied upon without our prior approval. Due to our policy of continuous development, we reserve the right to alter any details of specifications or products without notice. All information, drawings, technical specifications and product designs remains the property of Galvin Engineering Pty Ltd.

Within Australia: **1300 514 074** Outside Australia: P: +61 (0)8 9338 2344
 F: +61 (0)8 9338 2340
sales@galvinengineering.com.au
www.galvinengineering.com.au

ABN: 78 008 719 382

PERTH | SYDNEY | MELBOURNE | BRISBANE | ADELAIDE

