

DI Dome Vertical Rain Water Outlet (with Membrane Clamp Ring) 100PVC/HDPE

Specification Data Sheet



Features

- Removable grate for ease of access without disturbing the water proofing membrane
- Roof drain body fits various piping systems
- Large open area of the grate permits unrestricted water flow
- Ductile iron grate as per 150 1083/55/500-7/J to AS 1831

Flow Rate Guide (litres/minute):

	Pressure head mm of water				
	20	30	40	50	100
Flow Rate (L/min)	200	250	275	300	440

The waste outlet was tested without any downstream pipework and results present a discharge through the fitting to atmospheric pressure.

To Specify

Ductile iron black enamel coated rain water drain with built in puddle flange heavy duty galvanised ductile iron dome grate and clamp ring with stainless steel lock down screws.

Code:

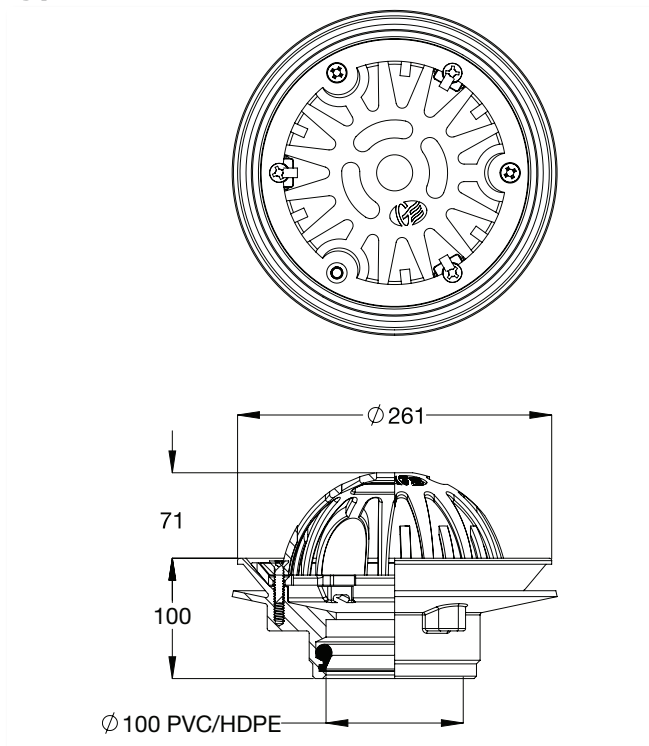
285205 - DI Domed Vertical Rain Water Outlet (With Membrane Clamp Ring) 100PVC/HDPE



A family
owned
Australian
business



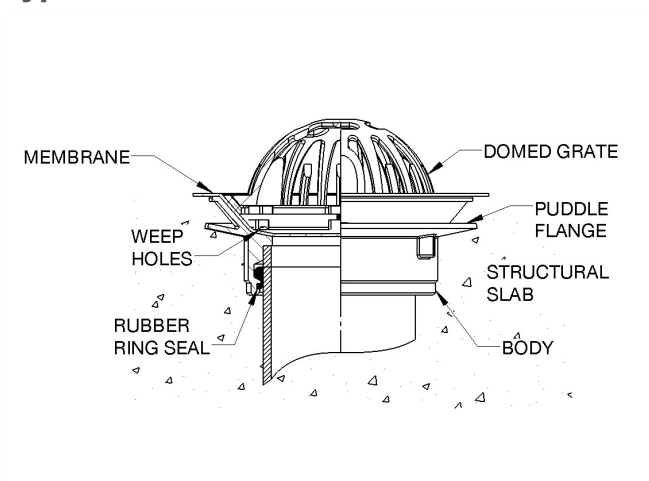
Typical Dimension



Application

The dome grate version clamp ring type outlet is designed to hold a membrane between the body and the clamp ring. When removing the grate for cleaning purposes, the clamp ring remains in position leaving the membrane undisturbed. This assures a watertight seal at all times. In addition, any water seepage around the outlet is trapped at the base of the built in puddle flange and is discharged through the weep holes into the drain. This prevents moisture penetrating to lower level. The puddle flange type outlet is primarily designed for concrete floors where a membrane is fitted (e.g. Multi-story car parks, balconies, etc).

Typical Installation



Warranty

Galvin Engineering products are covered under our Manufacturer's Warranty at www.galvinengineering.com.au. Galvin Engineering products must be installed in accordance with the installation instructions and in accordance with AS3500 and the PCA, relevant Australian Standards and local authorities applicable to product being installed. Water and electrical supply conditions must also comply to the applicable national and/or state standards, failing to comply with these provisions may void the product warranty and affect performance of the product.

Whilst all reasonable care has been taken in compiling the information in this document, the designs, dimensions and products shown are indicative only and should not be relied upon without our prior approval. Due to our policy of continuous development, we reserve the right to alter any details of specifications or products without notice. All information, drawings, technical specifications and product designs remains the property of Galvin Engineering Pty Ltd.

Within Australia: **1300 514 074** Outside Australia: P: +61 (0)8 9338 2344
 F: +61 (0)8 9338 2340
sales@galvinengineering.com.au
www.galvinengineering.com.au
 ABN: 78 008 719 382

A business unit of
GalvinEngineering
 the mark of reliability 

PERTH | SYDNEY | MELBOURNE | BRISBANE | ADELAIDE | UNITED STATES OF AMERICA | UNITED KINGDOM | NEW ZEALAND