

DI HD Flat Vertical Rain Water Outlet (Shallow Body/No Membrane) 100PVC/HDPE Slip-In

Specification Data Sheet



Features

- Slip-in design suitable for shallow slabs, unit is only 70mm overall
- Removable grate for ease of access
- Roof drain body fits various piping systems
- Large open area of the grate permits unrestricted water flow

Flow Rate Guide (litres/minute):

	Pressure head mm of water				
	20	30	40	50	100
Flow Rate (L/min)	350	400	450	475	-

The waste outlet was tested without any downstream pipework and results present a discharge through the fitting to atmospheric pressure.

To Specify

Ductile iron black epoxy coated rain water drain with heavy duty galvanized ductile iron flat grate with stainless steel lock down screws.

Code:

285260 – DI HD Flat Vertical Rain Water Outlet (Shallow Body / No Membrane)100PVC/HDPE Slip-In

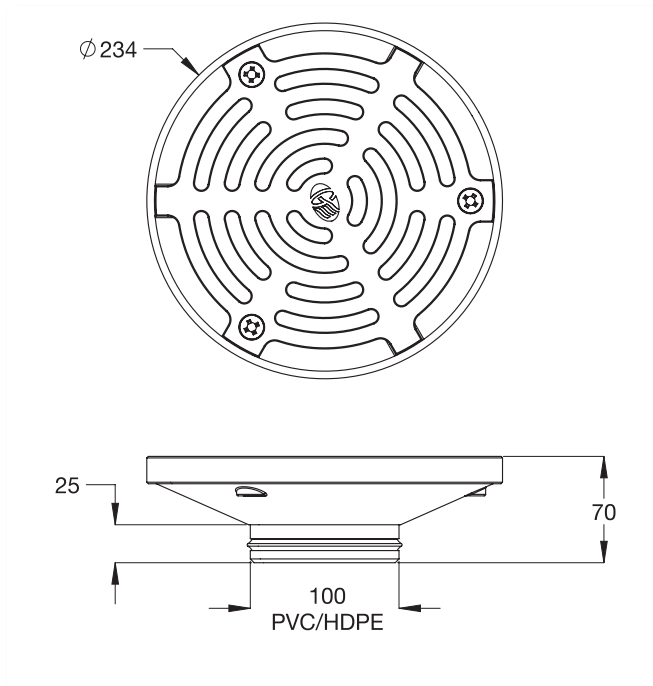


A family
owned
Australian
business

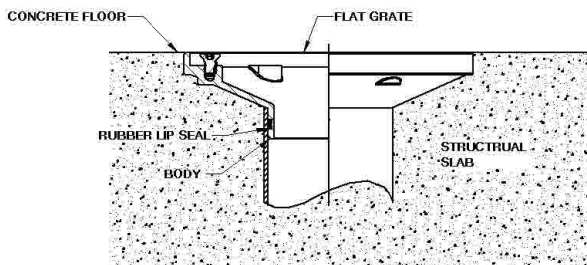


galvin's specialised
commercial taps + fixtures

Typical Dimensions



Typical Installation



Application

The flat grate non-clamp ring version outlet is primarily designed for thin concrete slabs/floors where no membrane is fitted (e.g. flat roofs, podiums).

Maintenance & Cleaning

Galvin Specialised products should be cleaned with a soft damp cloth using only mild liquid detergent or soap and water. Do not use cleaning agents containing a corrosive acid, scouring agent or solvents. Do not use cream cleaners, as they are abrasive. Use of unsuitable cleaning agents may damage the surface. Any damage caused in this way will not be covered by warranty.

Regular maintenance should be carried out in accordance with the installation and troubleshooting guides provided with the product, relevant Australian Standards, local authorities and state codes.

As part of maintaining a safe and reliable plumbing system, we recommend tapware and valves are operated on at least a daily basis.

Warranty

Galvin Engineering products are covered under our Manufacturer's Warranty at www.galvinengineering.com.au. Galvin Engineering products must be installed in accordance with the installation instructions and in accordance with AS3500 and the PCA, relevant Australian Standards and local authorities applicable to product being installed. Water and electrical supply conditions must also comply to the applicable national and/or state standards, failing to comply with these provisions may void the product warranty and affect performance of the product.

Whilst all reasonable care has been taken in compiling the information in this document, the designs, dimensions and products shown are indicative only and should not be relied upon without our prior approval. Due to our policy of continuous development, we reserve the right to alter any details of specifications or products without notice. All information, drawings, technical specifications and product designs remains the property of Galvin Engineering Pty Ltd.

Within Australia: **1300 514 074** Outside Australia: P: +61 (0)8 9338 2344
 F: +61 (0)8 9338 2340
sales@galvinengineering.com.au
www.galvinengineering.com.au
 ABN: 78 008 719 382

A business unit of
GalvinEngineering
 the mark of reliability 

PERTH | SYDNEY | MELBOURNE | BRISBANE | ADELAIDE | UNITED STATES OF AMERICA | UNITED KINGDOM | NEW ZEALAND