



**redemperor**  
fire + civil + plumbing

# Round HeelGrate® Floor Drain 300mm

Specification Data Sheet



## 302205X

Stainless Steel HeelGrate® Floor Drain Round 300mm x 150mm BSP.

The HeelGrate® range of floor drains has been designed to address concerns about possible accidental injury to pedestrians, caused by high heel shoes penetrating grates. The design of the grates also minimises potential problems where tips of crutches, wheelchair wheels or small children's toes could become lodged in the grates

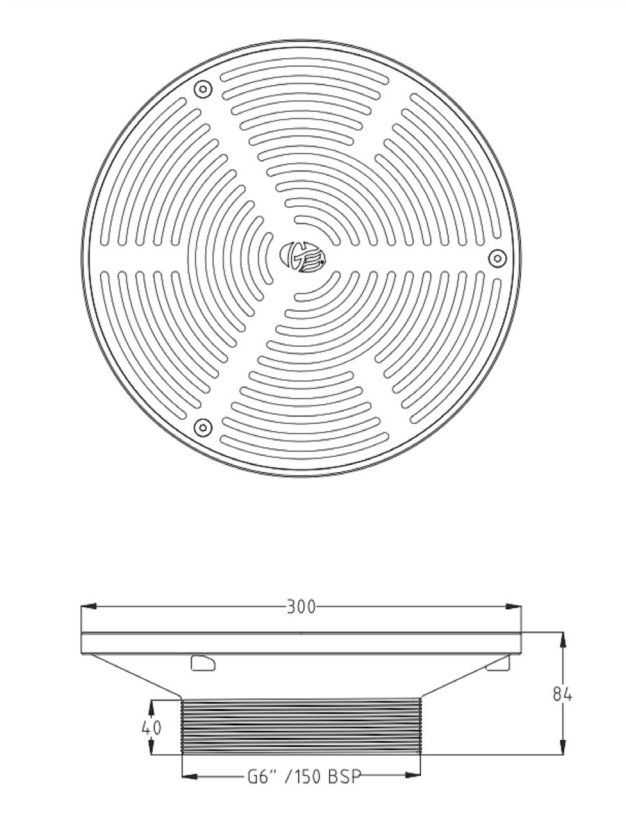
### Features

- Threaded BSP for fast and trouble free installation.
- Suitable for tiled, paved and concrete floors.
- Ideal for internal and pedestrian applications.
- 5mm gaps between bars.
- Suitable for concourse paving and tiled applications.
- Complies with AS 3996 to Class B.

Optional Extras:

- #303644 - Stainless steel strainer basket for 150mm outlet
- #303685 - Stainless steel sediment bucket for 150mm outlet

### Typical Dimension



### Flow Rate Guide (Litres/Second):

Grate Size	Pressure Head mm of water		
	20mm	30mm	40mm
300	4.7	9.1	12.2



A family owned Australian business

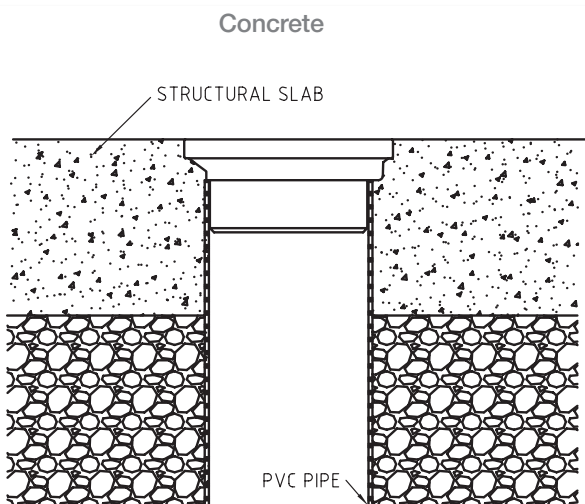
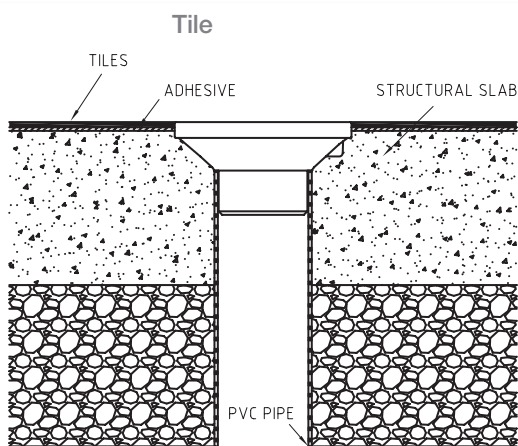
## Performance Standards & Approval

- WMTS 040:2016 Lic. WMK02448



**WaterMark**  
WMTS 040:2016 Lic. WMK02448  
SAI Global

## Typical Installation



## Maintenance & Cleaning

Red Emperor products should be cleaned with a soft damp cloth using only mild liquid detergent or soap and water. Do not use cleaning agents containing a corrosive acid, scouring agent or solvents. Do not use cream cleaners, as they are abrasive. Use of unsuitable cleaning agents may damage the surface. Any damage caused in this way will not be covered by warranty.

Regular maintenance should be carried out in accordance with installation and troubleshooting guides provided with the product, the relevant Australian Standards, local authorities and state codes.

Tea staining is an installation and maintenance issue. To reduce the risk of tea staining, products should be regularly cleaned. In certain environments corrosion reducers/inhibitors may need to be regularly applied, and consideration should be given to the use of electropolishing or other surface coatings.

Note: It is recommended higher grades of stainless steel be specified for corrosive or coastal areas.

## Warranty

Red Emperor products are covered under our Manufacturer's Warranty at [www.galvinengineering.com.au](http://www.galvinengineering.com.au). Red Emperor products must be installed in accordance with the installation instructions and in accordance with AS3500, PCA, relevant Australian Standards and local authorities applicable to product being installed. Water and electrical supply conditions must also comply to the applicable national and/or state standards, failing to comply with these provisions may void the product warranty and affect performance of the product.

Whilst all reasonable care has been taken in compiling the information in this document, the designs, dimensions and products shown are indicative only and should not be relied upon without our prior approval. Due to our policy of continuous development, we reserve the right to alter any details of specifications or products without notice. All information, drawings, technical specifications and product designs remains the property of Galvin Engineering Pty Ltd.

Within Australia: **1300 514 074** Outside Australia: P: +61 (0)8 9338 2344  
F: +61 (0)8 9338 2340  
[sales@galvinengineering.com.au](mailto:sales@galvinengineering.com.au)  
[www.galvinengineering.com.au](http://www.galvinengineering.com.au)

ABN: 78 008 719 382

PERTH | SYDNEY | MELBOURNE | BRISBANE | ADELAIDE

**GalvinEngineering**   
the mark of reliability