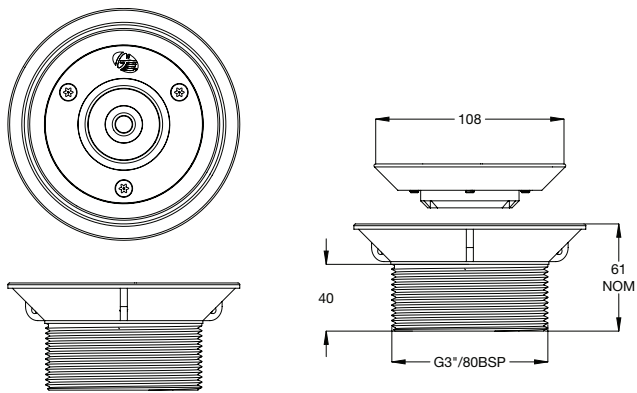




Typical Dimension



303077X

Polished Stainless Steel Safe-Cell (CRR) Prison Floor Drain Ass Vinyl 100 x 80 BSP

Description

The Safe-Cell crocodile roll resistant (CRR) vinyl floor drain has been designed to minimise the risk of self harm and suicide using a technique called "Crocodile Roll". The clever design features also help provide protection against the concealing of contraband.

Features

- Complies with AS 3996 to Class B and EN 1253 R50.
- Designed for prisons and holding cells to reduce the risk of suicide and the hiding of contraband (anti-ligature).
- Unique dual ring design to maximise drainage of water supply.

Flow Rate Guide (litres/second):

Grate Size	Pressure head mm of water		
	20	30	40
100	0.45	0.46	0.53



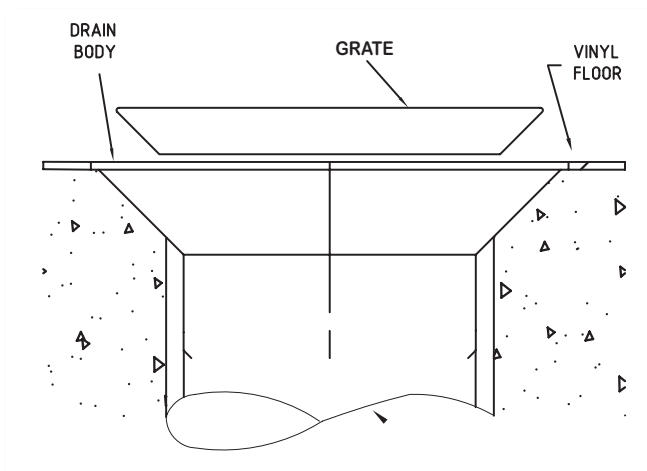
A family owned Australian business

Performance Standards & Approval

- WMTS 040:2016 Lic. WMK02448



Typical Installation



Maintenance & Cleaning

Red Emperor products should be cleaned with a soft damp cloth using only mild liquid detergent or soap and water. Do not use cleaning agents containing a corrosive acid, scouring agent or solvents. Do not use cream cleaners, as they are abrasive. Use of unsuitable cleaning agents may damage the surface. Any damage caused in this way will not be covered by warranty.

Regular maintenance should be carried out in accordance with installation and troubleshooting guides provided with the product, the relevant Australian Standards, local authorities and state codes.

Tea staining is an installation and maintenance issue. To reduce the risk of tea staining, products should be regularly cleaned. In certain environments corrosion reducers/inhibitors may need to be regularly applied, and consideration should be given to the use of electropolishing or other surface coatings.

Note: It is recommended higher grades of stainless steel be specified for corrosive or coastal areas.

Warranty

Red Emperor products are covered under our Manufacturer's Warranty at www.galvinengineering.com.au. Red Emperor products must be installed in accordance with the installation instructions and in accordance with AS3500, PCA, relevant Australian Standards and local authorities applicable to product being installed. Water and electrical supply conditions must also comply to the applicable national and/or state standards, failing to comply with these provisions may void the product warranty and affect performance of the product.

In the absence of a legal or industry definition of anti-ligature or ligature resistant products, when we use these terms, we are referring to products that are designed and manufactured with the intention of reducing the risk of ligature attachment to the product(s). Galvin Engineering Pty Ltd will always endeavour to design and test our anti-ligature product(s) to reduce the risk of product ligature attachment that may result in serious injury or death.

Whilst all reasonable measures are taken at the time of design, the anti-ligature design of the products are not intended to and will not:

- | | |
|--|--|
| a. Replace protective measures that need to be taken in the specific circumstances of usage; | c. Protect and or prevent those at risk against any self-harm instances that may occur when installed; and |
| b. Substitute the need for supervision of those who may be at risk; | d. Protect and or prevent injury when the risks where unknown to us at the time of the design of the product(s). |

Galvin Engineering Pty Ltd does not offer and does not represent or warrant that any product(s) for sale that are ligature-free.

Therefore, Galvin Engineering will not be liable for any claims, loss, or damages arising from ligature attachment on our products. It is the purchaser's responsibility to ensure that products purchased and installed are suitable for the environments in which they are installed, and suitable supervision and protective measures are in place to protect those at risk.

Whilst all reasonable care has been taken in compiling the information in this document, the designs, dimensions and products shown are indicative only and should not be relied upon without our prior approval. Due to our policy of continuous development, we reserve the right to alter any details of specifications or products without notice. All information, drawings, technical specifications and product designs remains the property of Galvin Engineering Pty Ltd.

Within Australia: **1300 514 074** Outside Australia: P: +61 (0)8 9338 2344

F: +61 (0)8 9338 2340

sales@galvinengineering.com.au

www.galvinengineering.com.au

ABN: 78 008 719 382

PERTH | SYDNEY | MELBOURNE | BRISBANE | ADELAIDE

A business unit of

GalvinEngineering
the mark of reliability

