

Ezy-Push® CP-BS Timeflow Push Button Pillar Tap - MI

Specification Data Sheet



Features

- Vandal resistant design.
- Operate at full mains pressure.
- Easy to use self-closing mechanism.
- High quality chrome finish for easy cleaning and maintain hygiene.

To Specify

Galvin Specialised Ezy-Push® timeflow push button pillar tapware is ideal for use in schools, end of trip facilities, washrooms and areas of high use. Our Ezy-Push® time flow push button pillar tapware range is water conserving and cost-effective.

Code:

368690 – Ezy-Push® Chrome Plated Brass Timeflow Push Button Pillar Tap 15 Sec - MI



A family
owned
Australian
business



Performance Standards & Approvals

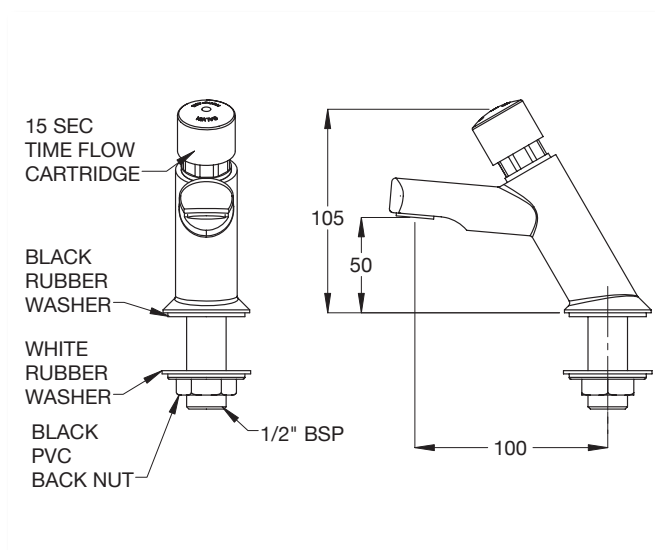
- AS/NZS 3718 – WaterMark
- WELS 5 Star Rating



WaterMark
AS/NZS 3718 Lic. WMKA0034
SAI Global



Typical Dimensions



Technical Information

- Inlet: 1/2" BSP - Male
- Outlet: Aerator
- Headwork: Time Flow Cartridge
- Working Pressure Range (kPa): 100 Min - 500 Max
- Working Temperature Range (°C): 5 Min - 65 Max
- Nominal Flow Rate (LPM): 5
- Construction: DZR Brass
- Finish: Chrome

Maintenance & Cleaning

Galvin Specialised products should be cleaned with a soft damp cloth using only mild liquid detergent or soap and water. Do not use cleaning agents containing a corrosive acid, scouring agent or solvents. Do not use cream cleaners, as they are abrasive. Use of unsuitable cleaning agents may damage the surface. Any damage caused in this way will not be covered by warranty.

Regular maintenance should be carried out in accordance with the installation and troubleshooting guides provided with the product, relevant Australian Standards, local authorities and state codes.

As part of maintaining a safe and reliable plumbing system, we recommend tapware and valves are operated on at least a daily basis.

Warranty

Galvin Engineering products are covered under our Manufacturer's Warranty at www.galvinengineering.com.au. Galvin Engineering products must be installed in accordance with the installation instructions and in accordance with AS3500 and the PCA, relevant Australian Standards and local authorities applicable to product being installed. Water and electrical supply conditions must also comply to the applicable national and/or state standards, failing to comply with these provisions may void the product warranty and affect performance of the product.

Whilst all reasonable care has been taken in compiling the information in this document, the designs, dimensions and products shown are indicative only and should not be relied upon without our prior approval. Due to our policy of continuous development, we reserve the right to alter any details of specifications or products without notice. All information, drawings, technical specifications and product designs remains the property of Galvin Engineering Pty Ltd.

Within Australia: **1300 514 074** Outside Australia: P: +61 (0)8 9338 2344
F: +61 (0)8 9338 2340
sales@galvinengineering.com.au
www.galvinengineering.com.au
ABN: 78 008 719 382

A business unit of

GalvinEngineering
the mark of reliability



PERTH | SYDNEY | MELBOURNE | BRISBANE | ADELAIDE | UNITED STATES OF AMERICA | UNITED KINGDOM | NEW ZEALAND