

Ezy-Lever Vandal Resistant Time Flow Pillar Tap Temperature Mixing

Specification Data Sheet



Features

- Clean hygienic design
- Water saving
- Vandal resistant
- Easy to operate
- Low maintenance
- Smooth round design to facilitate easy cleaning and help reduce dirt and bacterial growth.

To Specify

AS/NZS 3718 WaterMark Approved Ezy-Lever Timed Flow Pillar Mixed Temperature Tap with a Vandal Resistant Top Assembly, a flow director nozzle and heavy duty chrome plated solid brass construction.

Code:

368696VRLMX – Ezy-Lever CP-BS Time Flow Lever Action Vandal Resistant Pillar Tap - Temperature Mixing



A family
owned
Australian
business

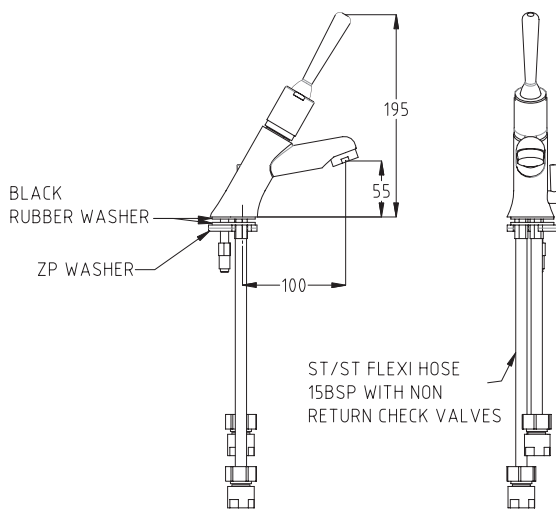


Performance Standards & Approvals

- AS/NZS 3718 – WaterMark
- WELS 6 Star Rating



Typical Dimensions



Technical Information

- Inlet: 15mm Stainless Steel flexi tails
- Working Temperature Range (°C): 0 - 70°C Max
- Working Pressure Range (kPa): 100 - 500kPa
- Nominal Flow Rate: 4.77
- Construction: DZR Brass
- Approximate shut off is 6 Seconds*

Note: Refer to AS/NZS 3500.4 for recommended set temperatures and pressures

*Time is based on 500kPa, 5 litres per minute @ 22 degrees celsius. Time will vary plus or minus 30% based on water temperatures, pressures, flow rates and water

Operation

Tap is activated by moving lever in any direction, flow will stop after approximately 6 seconds.

Maintenance & Cleaning

Galvin Specialised products should be cleaned with a soft damp cloth using only mild liquid detergent or soap and water. Do not use cleaning agents containing a corrosive acid, scouring agent or solvents. Do not use cream cleaners, as they are abrasive. Use of unsuitable cleaning agents may damage the surface. Any damage caused in this way will not be covered by warranty.

Regular maintenance should be carried out in accordance with the installation and troubleshooting guides provided with the product, relevant Australian Standards, local authorities and state codes.

Warranty

Galvin Engineering products are covered under our Manufacturer's Warranty at www.galvinengineering.com.au. Galvin Engineering products must be installed in accordance with the installation instructions and in accordance with AS3500 and the PCA, relevant Australian Standards and local authorities applicable to product being installed. Water and electrical supply conditions must also comply to the applicable national and/or state standards, failing to comply with these provisions may void the product warranty and affect performance of the product.

Whilst all reasonable care has been taken in compiling the information in this document, the designs, dimensions and products shown are indicative only and should not be relied upon without our prior approval. Due to our policy of continuous development, we reserve the right to alter any details of specifications or products without notice. All information, drawings, technical specifications and product designs remains the property of Galvin Engineering Pty Ltd.

Within Australia: **1300 514 074** Outside Australia: P: +61 (0)8 9338 2344
 F: +61 (0)8 9338 2340
sales@galvinengineering.com.au
www.galvinengineering.com.au
 ABN: 78 008 719 382

A business unit of

GalvinEngineering
 the mark of reliability



PERTH | SYDNEY | MELBOURNE | BRISBANE | ADELAIDE | UNITED STATES OF AMERICA | UNITED KINGDOM | NEW ZEALAND