

Ezy-Wash® Slophopper Assembly with Trigger Spray

Specification Data Sheet



Technical Information

- Stainless steel spring
- Heavy duty hose
- Slophopper heavy duty trigger spray
- Wall bracket
- Control tap
- Suitable for wall mounting

To Specify

Our robust Ezy-Wash® Pre-Rinse food service range complies to all relevant standards including AS/NZS 3718. It has been tested for cleanability to ASTM F2324-03 at 21.46 seconds. The heavy duty design makes it ideal for installation in all types of applications.

Code:

37408 - Stainless Steel Slophopper Hose/Spring Assembly with Trigger Spray.



A family
owned
Australian
business



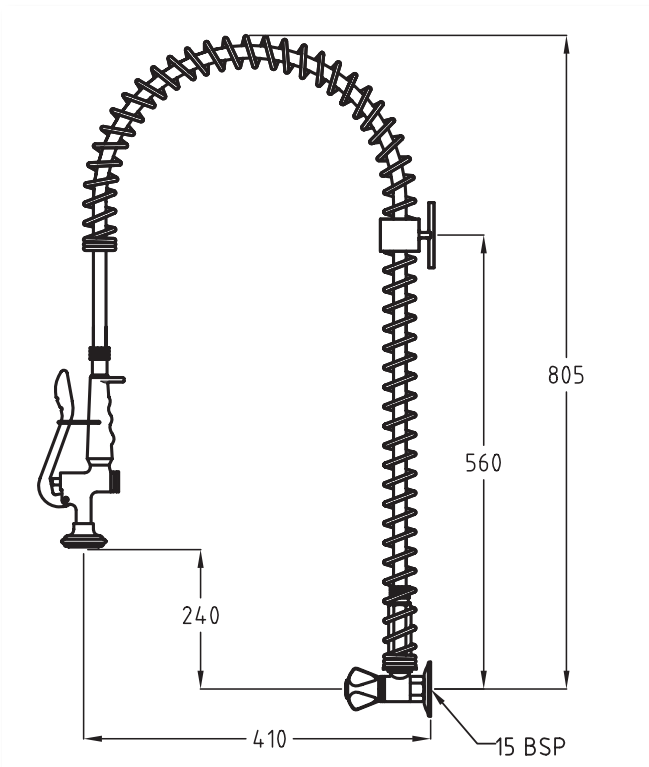
galvinspecialised
commercial taps + fixtures

Performance Standards & Approvals

- AS/NZS 3718 – WaterMark



Typical Dimensions



Technical Information

Inlet: 15 BSP Female

Outlet: Trigger Spray

Headwork: Jumper valve

Operating Temperature Range (°C): 5 Min - 60 Max

Operating Pressure Range (kPa): 100 Min - 500 Max

Nominal Flow Rate (LPM): 4.5

Finish: Chrome

Maintenance & Cleaning

Galvin Specialised products should be cleaned with a soft damp cloth using only mild liquid detergent or soap and water. Do not use cleaning agents containing a corrosive acid, scouring agent or solvents. Do not use cream cleaners, as they are abrasive. Use of unsuitable cleaning agents may damage the surface. Any damage caused in this way will not be covered by warranty.

Regular maintenance should be carried out in accordance with the installation and troubleshooting guides provided with the product, relevant Australian Standards, local authorities and state codes.

Warranty

Galvin Specialised products are covered under our Manufacturer's Warranty at www.galvinengineering.com.au. Galvin Specialised products must be installed in accordance with the installation instructions and in accordance with AS3500 and the PCA, relevant Australian Standards and local authorities applicable to product being installed. Water and electrical supply conditions must also comply to the applicable national and/or state standards, failing to comply with these provisions may void the product warranty and affect performance of the product.

Whilst all reasonable care has been taken in compiling the information in this document, the designs, dimensions and products shown are indicative only and should not be relied upon without our prior approval. Due to our policy of continuous development, we reserve the right to alter any details of specifications or products without notice. All information, drawings, technical specifications and product designs remains the property of Galvin Engineering Pty Ltd.

410 Victoria Rd, Malaga, WA 6090
 Within Australia: **1300 514 074** Outside Australia: P: +61 (0)8 9249 5900
 F: +61 (0)8 9249 5916
sales@galvinengineering.com.au
www.galvinspecialised.com.au

ABN: 78 008 719 382

PERTH | SYDNEY | MELBOURNE | BRISBANE | ADELAIDE

A business unit of

GalvinEngineering 
 the mark of reliability