



380165

WA Firemain Booster 100TE (Painted and Assembled).

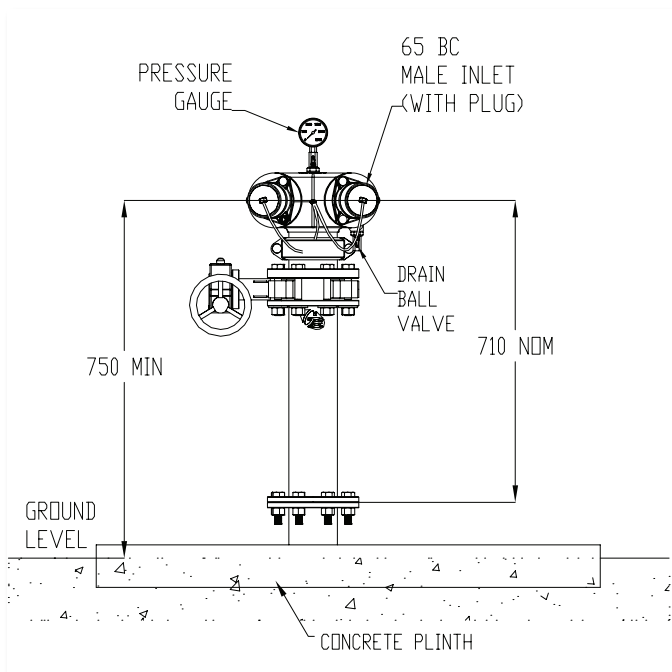
Features

- Australian made.
- Fully assembled.
- Painted Signal Red.
- All compliant to AS2419.1.

Performance Standards & Approvals



Typical Dimensions



Maintenance

Regular maintenance should be carried out in accordance with installation and troubleshooting guides provided with the product, the relevant Australian Standards, local authorities and state codes.

Warranty

Red Emperor products are covered under our Manufacturer's Warranty at www.galvinengineering.com.au. Red Emperor products must be installed in accordance with the installation instructions and in accordance with AS3500, PCA, relevant Australian Standards and local authorities applicable to product being installed. Water and electrical supply conditions must also comply to the applicable national and/or state standards, failing to comply with these provisions may void the product warranty and affect performance of the product.

Whilst all reasonable care has been taken in compiling the information in this document, the designs, dimensions and products shown are indicative only and should not be relied upon without our prior approval. Due to our policy of continuous development, we reserve the right to alter any details of specifications or products without notice. All information, drawings, technical specifications and product designs remains the property of Galvin Engineering Pty Ltd.