



redemperor[®]
fire + civil + plumbing

Fire Hydrant Landing Valve

Queensland

Specification Data Sheet



381297RE

Red Emperor Fire Hydrant Landing Valve [QLD]
- BSP Inlet with Cap.

Features

- Painted red
- Certified to AS 2419.2
- Compact design
- Standard with nylon cap

Performance Standards & Approvals

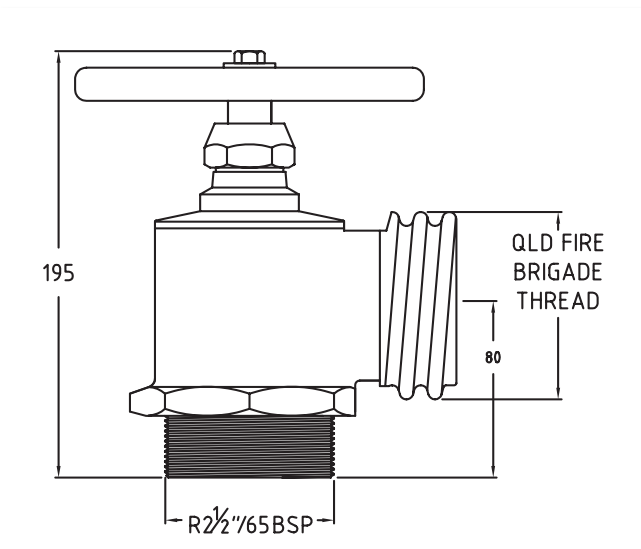
- AS 2419.2 – WaterMark



WaterMark

AS 2419.2 Lic WMKA 21817
SAI Global

Typical Dimensions



Installation & Routine Service

Fire hydrant and valves to be installed as per AS2419. Regular routine service should be carried out in accordance with the AS1851 standard.

Warranty

Red Emperor products are covered under our Manufacturer's Warranty at www.galvinengineering.com.au. Red Emperor products must be installed in accordance with the installation instructions and in accordance with AS3500, PCA, relevant Australian Standards and local authorities applicable to product being installed. Water and electrical supply conditions must also comply to the applicable national and/or state standards, failing to comply with these provisions may void the product warranty and affect performance of the product.

Whilst all reasonable care has been taken in compiling the information in this document, the designs, dimensions and products shown are indicative only and should not be relied upon without our prior approval. Due to our policy of continuous development, we reserve the right to alter any details of specifications or products without notice. All information, drawings, technical specifications and product designs remains the property of Galvin Engineering Pty Ltd.



A family
owned
Australian
business

410 Victoria Rd, Malaga, WA 6090
Within Australia: **1300 514 074**
Outside Australia: P: +61 (0)8 9249 5900
F: +61 (0)8 9249 5916
sales@galvinengineering.com.au
www.red-emperor.com.au