



**redemperor**<sup>®</sup>  
fire + civil + plumbing

# Fire Hydrant Pipe Riser Kit

Specification Data Sheet



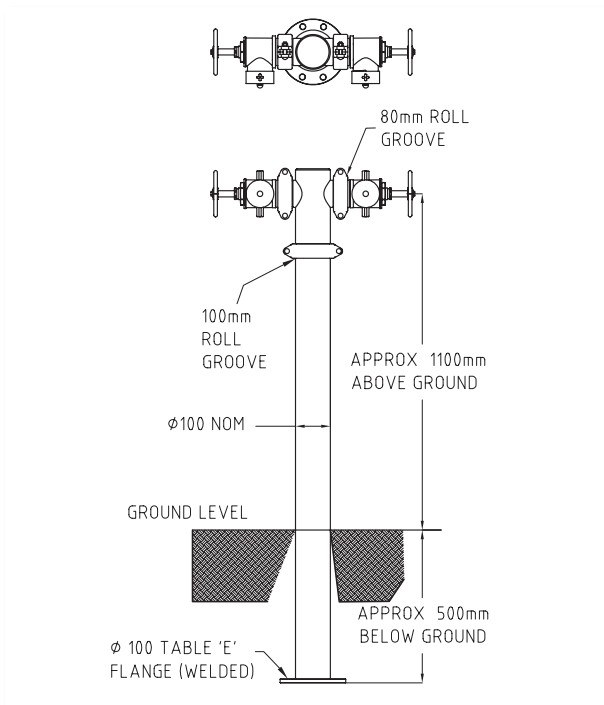
## 381332

Hydrant Pipe Riser Kit with Roll Groove T-Head & Qld Valves & Caps 100TD x 1600 (Galvanised & Painted).

### Features

- Hot dipped galvanised to AS/NZS 4680.
- Drilled Table E flange.
- All painted red.
- Includes valves with nylon caps.
- Adjustable T-Head.
- Vandalism and damage to fire landing valves can be minimised by installing our tamper resistant cover.

### Typical Dimensions



### Installation & Routine Service

Fire hydrant and valves to be installed as per AS2419. Regular routine service should be carried out in accordance with the AS1851 standard.

### Warranty

Red Emperor products are covered under our Manufacturer's Warranty at [www.galvinengineering.com.au](http://www.galvinengineering.com.au). Red Emperor products must be installed in accordance with the installation instructions and in accordance with AS3500, PCA, relevant Australian Standards and local authorities applicable to product being installed. Water and electrical supply conditions must also comply to the applicable national and/or state standards, failing to comply with these provisions may void the product warranty and affect performance of the product.

Whilst all reasonable care has been taken in compiling the information in this document, the designs, dimensions and products shown are indicative only and should not be relied upon without our prior approval. Due to our policy of continuous development, we reserve the right to alter any details of specifications or products without notice. All information, drawings, technical specifications and product designs remains the property of Galvin Engineering Pty Ltd.



A family  
owned  
Australian  
business

Within Australia: **1300 514 074**  
Outside Australia: P: +61 (0)8 9338 2344  
F: +61 (0)8 9338 2340  
[sales@galvinengineering.com.au](mailto:sales@galvinengineering.com.au)  
[www.galvinengineering.com.au](http://www.galvinengineering.com.au)