



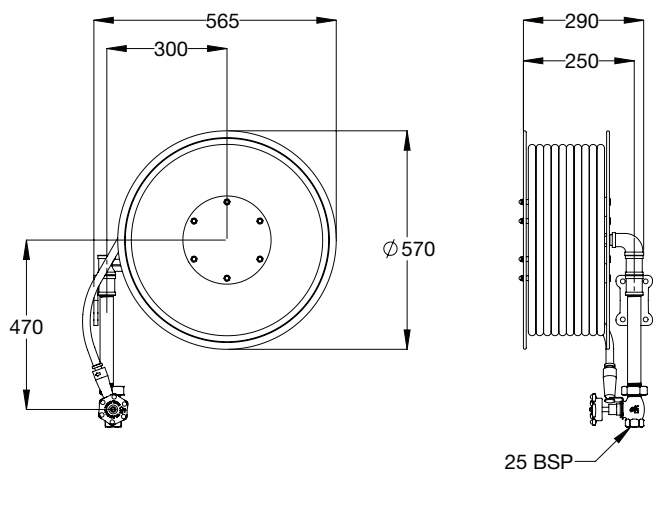
## 382523

Red Emperor<sup>®</sup> G Series Premium Swing Fire Hose Reel LH/RH with Fixed Waterway 36m - Red

## Features

- Certified to AS/NZS 1221.
- 1 year warranty when installed and commissioned in accordance with AS 2441.
- Test pressure: 1700kPa
- Maximum working pressure: 1200kPa
- Spray distance approximately 7 metres
- Minimum discharge at 220k ± 10 kPa inlet pressure should be 30l/min.
- Nominal hose diameter 19mm
- Hose reel length 36 metres
- Fire Hose Reels come supplied with:
  - A fitted brass fire hose reel nozzle Type 1 (Jet) and a brass stop cock to ensure long life and durability.
  - Side plates that are made from tough powder coated zincalume steel (per AS 4506).
- *Cabinets 381905 and 381947 to suit are available to purchase separately.*

## Typical Dimension



## Maintenance

Regular maintenance should be carried out in accordance with installation and troubleshooting guides provided with the product, the relevant Australian Standards, local authorities and state codes.

## Warranty

Galvin Engineering products are covered under our Manufacturer's Warranty at [www.galvinengineering.com.au](http://www.galvinengineering.com.au). Galvin Engineering products must be installed in accordance with the installation instructions and in accordance with AS3500 and the PCA, relevant Australian Standards and local authorities applicable to product being installed. Water and electrical supply conditions must also comply to the applicable national and/or state standards, failing to comply with these provisions may void the product warranty and affect performance of the product.

Whilst all reasonable care has been taken in compiling the information in this document, the designs, dimensions and products shown are indicative only and should not be relied upon without our prior approval. Due to our policy of continuous development, we reserve the right to alter any details of specifications or products without notice. All information, drawings, technical specifications and product designs remains the property of Galvin Engineering Pty Ltd.