



Red Emperor® F Series Standard Fixed Hose Reel with Swing Guide Arm 36m - Green

redemperor
fire + civil + plumbing

Specification Data Sheet



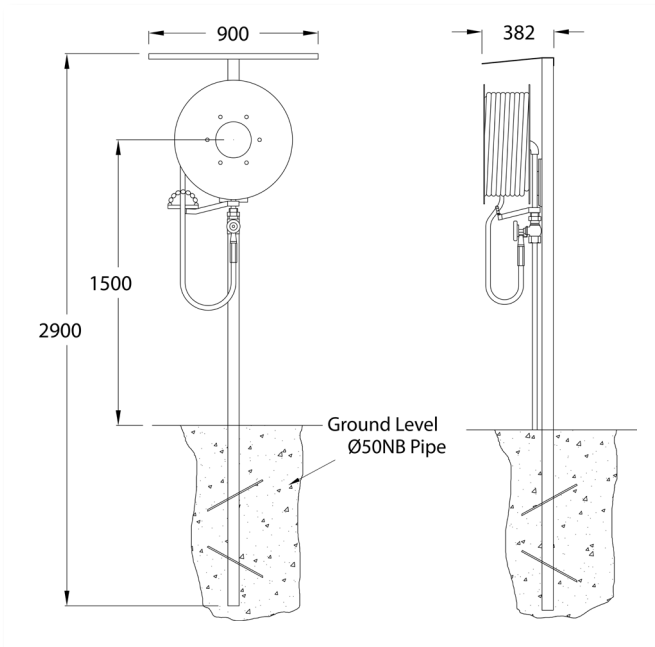
383034

Red Emperor® F Series Standard Fixed Hose Reel with Swing Guide Arm 36m - Green

Features

- Test pressure 1700kPa
- Maximum working pressure 1200kPa
- Spray distance approximately 7 metres
- Minimum discharge at 220k ± 10 kPa inlet pressure should be 30l/min
- Nominal hose diameter 19mm
- Hose reel length 36 meters
- Hose Reel comes standard with:
 - A fitted brass hose reel nozzle and a brass ball valve to ensure long life and durability
 - A guide arm that is fitted with roller beads to ensure the hose flows freely and doesn't kink
 - Side plates that are made from tough powder coated zincalume steel (per AS 4506)

Typical Dimensions



Maintenance

Regular maintenance should be carried out in accordance with installation and troubleshooting guides provided with the product, the relevant Australian Standards, local authorities and state codes.

Warranty

Red Emperor products are covered under our Manufacturer's Warranty at www.galvinengineering.com.au. Red Emperor products must be installed in accordance with the installation instructions and in accordance with AS3500, PCA, relevant Australian Standards and local authorities applicable to product being installed. Water and electrical supply conditions must also comply to the applicable national and/or state standards, failing to comply with these provisions may void the product warranty and affect performance of the product.

Whilst all reasonable care has been taken in compiling the information in this document, the designs, dimensions and products shown are indicative only and should not be relied upon without our prior approval. Due to our policy of continuous development, we reserve the right to alter any details of specifications or products without notice. All information, drawings, technical specifications and product designs remains the property of Galvin Engineering Pty Ltd.



A family
owned
Australian
business

Within Australia: **1300 514 074**
Outside Australia: P: +61 (0)8 9338 2344
F: +61 (0)8 9338 2340
sales@galvinengineering.com.au
www.galvinengineering.com.au

A business unit of

GalvinEngineering
the mark of reliability

