



redemperor[®]
fire + civil + plumbing

L Series - Fixed Reel with Stand & Sunshield

Specification Data Sheet



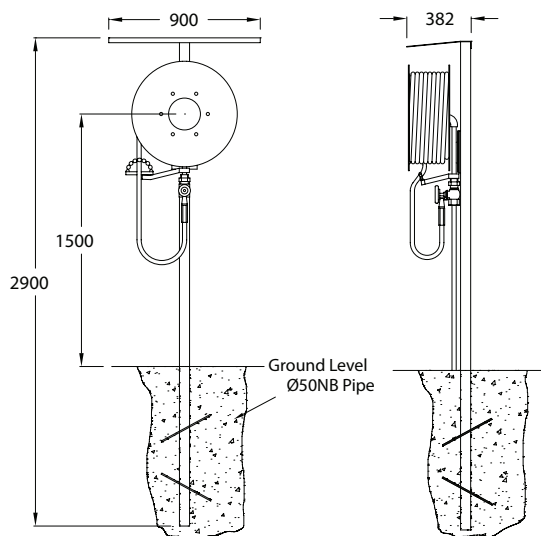
383224

L1 Free Standing Fire Hose Reel with Stand and Sunshield 36 metres

Features

- Fire hose reels are approved and certified to AS 1221.
- L1 comes with a 1 year warranty when installed and commissioned in accordance with AS 2441.
- Fire hose reels come supplied with:
 - A fitted Brass Fire Hose Reel Nozzle Type 1 and a Brass Ball Valve to ensure long life and durability.
 - A guide arm that is fitted with roller beads to ensure the hose flows freely and doesn't kink.
 - Side plates that are made from tough powder coated zincalume steel (per AS 4506).
 - Test pressure 1700kPa.
- Maximum working pressure 1200kPa.
- Spray distance approximately 7 meters.
- Minimum discharge at 220kPa \pm 10kPa. Pressure should be 30l/min.
- Nominal hose diameter is 19mm x 36mtr.

Typical Dimensions



A family
owned
Australian
business

Maintenance & Cleaning

Red Emperor products should be cleaned with a soft damp cloth using only mild liquid detergent or soap and water. Do not use cleaning agents containing a corrosive acid, scouring agent or solvents. Do not use cream cleaners, as they are abrasive. Use of unsuitable cleaning agents may damage the surface. Any damage caused in this way will not be covered by warranty.

Regular maintenance should be carried out in accordance with installation and troubleshooting guides provided with the product, the relevant Australian Standards, local authorities and state codes.

Tea staining is an installation and maintenance issue. To reduce the risk of tea staining, products should be regularly cleaned. In certain environments corrosion reducers/inhibitors may need to be regularly applied, and consideration should be given to the use of electropolishing or other surface coatings.

Note: It is recommended higher grades of stainless steel be specified for corrosive or coastal areas.

Warranty

Red Emperor products are covered under our Manufacturer's Warranty at www.galvinengineering.com.au. Red Emperor products must be installed in accordance with the installation instructions and in accordance with AS3500, PCA, relevant Australian Standards and local authorities applicable to product being installed. Water and electrical supply conditions must also comply to the applicable national and/or state standards, failing to comply with these provisions may void the product warranty and affect performance of the product.

Whilst all reasonable care has been taken in compiling the information in this document, the designs, dimensions and products shown are indicative only and should not be relied upon without our prior approval. Due to our policy of continuous development, we reserve the right to alter any details of specifications or products without notice. All information, drawings, technical specifications and product designs remains the property of Galvin Engineering Pty Ltd.

Within Australia: **1300 514 074** Outside Australia: P: +61 (0)8 9338 2344
F: +61 (0)8 9338 2340
sales@galvinengineering.com.au
www.galvinengineering.com.au

ABN: 78 008 719 382

PERTH | SYDNEY | MELBOURNE | BRISBANE | ADELAIDE

