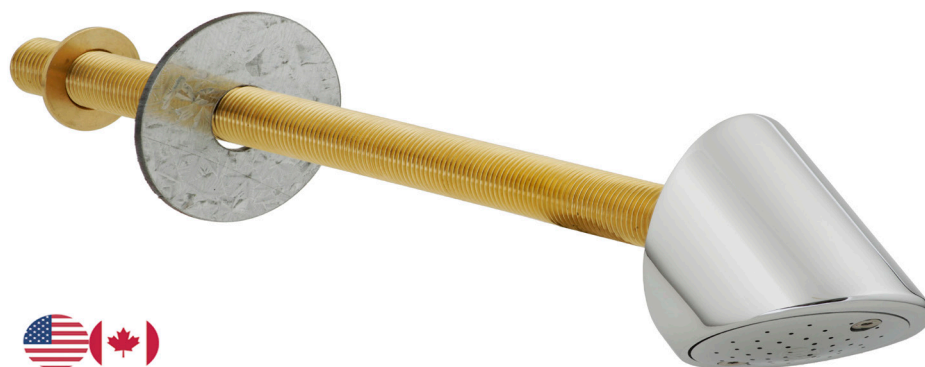


# GalvinCare® CP-BS Mental Health Anti-ligature Shower Rose 65 Ext 300mm NPT MI (USA)

Specification Data Sheet



## Features

- Anti-ligature features
- Vandal resistant design
- Minimises ability to hide contraband
- Designed to suit wall thickness up to 240mm
- Front or rear fixing
- Anti-rotation pin

## To Specify

The GalvinCare® CP-BS Mental Health Anti-ligature Shower Rose provides both anti-vandalism and anti-ligature features. The 300mm extended nipple can be cut to suit various wall thicknesses. This shower is used extensively in high risk, high security applications such as prisons, correctional facilities, detention centres, mental health and behavioural facilities.

## Code:

**40691DUS** – GalvinCare® CP-BS Mental Health Anti-ligature Shower Rose 65 Ext 300mm NPT MI (USA)



A family  
owned  
Australian  
business



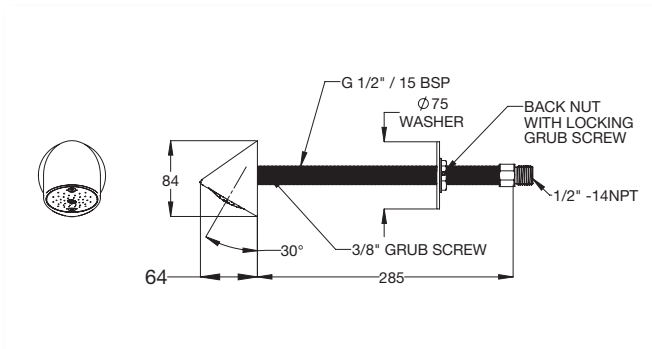
## Performance Standards & Approvals

- IAPMO - UPC Certified



**CERTIFIED TO:**  
CSA B125.1 (2012)  
ASME A122.18.1

## Typical Dimensions



## Technical Information

- Inlet: 1/2" NPT - Male. (American National Standard Thread)
- Outlet: Shower Rose
- Working Pressure Range (kPa): 150 Min - 500 Max
- Working Temperature Range (°C): 5 Min - 70 Max
- Nominal Flow Rate (LPM): 7 lpm
- Construction: Brass
- Finish: Chrome

## Maintenance & Cleaning

Galvin Engineering products should be cleaned with a soft damp cloth using only mild liquid detergent or soap and water. Do not use cleaning agents containing a corrosive acid, scouring agent or solvents. Do not use cream cleaners, as they are abrasive. Use of unsuitable cleaning agents may damage the surface. Any damage caused in this way will not be covered by warranty.

Regular maintenance should be carried out in accordance with the installation and troubleshooting guides provided with the product, relevant Australian Standards, local authorities and state codes.

As part of maintaining a safe and reliable plumbing system, we recommend tapware and valves are operated on at least a daily basis.

## Warranty

Galvin Engineering products are covered under our Manufacturer's Warranty at [www.galvinengineering.com.au](http://www.galvinengineering.com.au). Galvin Engineering products must be installed in accordance with the installation instructions and in accordance with AS3500 and the PCA, relevant Australian Standards and local authorities applicable to product being installed. Water and electrical supply conditions must also comply to the applicable national and/or state standards, failing to comply with these provisions may void the product warranty and affect performance of the product.

Whilst all reasonable care has been taken in compiling the information in this document, the designs, dimensions and products shown are indicative only and should not be relied upon without our prior approval. Due to our policy of continuous development, we reserve the right to alter any details of specifications or products without notice. All information, drawings, technical specifications and product designs remains the property of Galvin Engineering Pty Ltd.

Within Australia: **1300 514 074** Outside Australia: P: +61 (0)8 9338 2344

F: +61 (0)8 9338 2340

[sales@galvinengineering.com.au](mailto:sales@galvinengineering.com.au)

[www.galvinengineering.com.au](http://www.galvinengineering.com.au)

ABN: 78 008 719 382

A business unit of

**GalvinEngineering**  
the mark of reliability



PERTH | SYDNEY | MELBOURNE | BRISBANE | ADELAIDE | UNITED STATES OF AMERICA | UNITED KINGDOM | NEW ZEALAND