

# CliniLever® CP-BS Hospital Fixed Shower Arm and Rose

Specification Data Sheet



## Features

- ABS 100mm traditional shower with rub-clean spray diffuser
- Brass 150mm fixed arm with flow interchangeable spigot
- Brass 57mm wall flange
- Full pattern spray
- All directional shower rose
- Robust and durable design
- Clean smooth design for easy cleaning and to help reduce dirt and bacteria growth
- Chrome plated finish for added durability

## To Specify

The Clinilever® CP-BS Hospital Fixed Shower Arm and Rose is an all directional, robust and durable design built for long life. It comes with easy cleaning rubber nodes and is finished in a bright chrome plate.

The time and cost effective CliniLever® range is specifically designed for hospital and medical preparation areas. The innovative design helps to combat the risk of hospital acquired infections and minimise bacteria risk while offering easy maintenance.

## Code:

**42008** - CliniLever® CP-BS Hospital Fixed Shower Arm and Rose



A family  
owned  
Australian  
business



## Performance Standards & Approvals

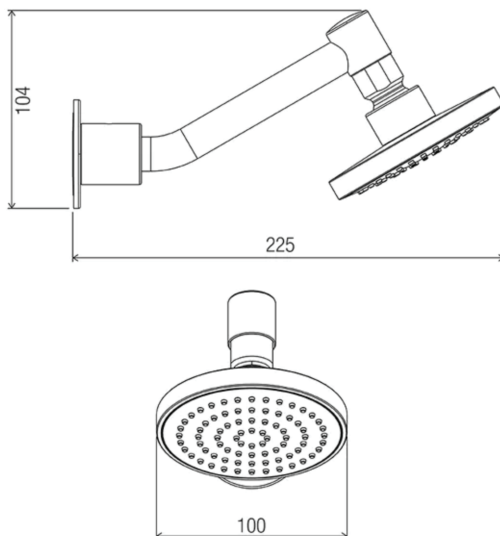
- AS/NZS 3718 Lic. WMKA0034 WaterMark
- WELS 3 Star Rating



**WaterMark**  
AS/NZS 3718 Lic. WMKA0034  
SAI Global



## Typical Dimensions



## Technical Information

- Working Pressure Range (kPa): 500 Max
- Working Temperature Range (°C): 80 Max
- Nominal Flow Rate (LPM): 9
- Finish: Chrome

## Maintenance & Cleaning

Galvin Specialised products should be cleaned with a soft damp cloth using only mild liquid detergent or soap and water. Do not use cleaning agents containing a corrosive acid, scouring agent or solvents. Do not use cream cleaners, as they are abrasive. Use of unsuitable cleaning agents may damage the surface. Any damage caused in this way will not be covered by warranty.

Regular maintenance should be carried out in accordance with the installation and troubleshooting guides provided with the product, relevant Australian Standards, local authorities and state codes.

As part of maintaining a safe and reliable plumbing system, we recommend tapware and valves are operated on at least a daily basis.

## Warranty

Galvin Engineering products are covered under our Manufacturer's Warranty at [www.galvinengineering.com.au](http://www.galvinengineering.com.au). Galvin Engineering products must be installed in accordance with the installation instructions and in accordance with AS3500 and the PCA, relevant Australian Standards and local authorities applicable to product being installed. Water and electrical supply conditions must also comply to the applicable national and/or state standards, failing to comply with these provisions may void the product warranty and affect performance of the product.

Whilst all reasonable care has been taken in compiling the information in this document, the designs, dimensions and products shown are indicative only and should not be relied upon without our prior approval. Due to our policy of continuous development, we reserve the right to alter any details of specifications or products without notice. All information, drawings, technical specifications and product designs remains the property of Galvin Engineering Pty Ltd.

Within Australia: **1300 514 074** Outside Australia:  
P: +61 (0)8 9338 2344 F: +61 (0)8 9338 2340  
sales@galvinengineering.com.au  
[www.galvinengineering.com.au](http://www.galvinengineering.com.au)  
ABN: 78 008 719 382

A business unit of  
**GalvinEngineering**  
the mark of reliability 

PERTH | SYDNEY | MELBOURNE | BRISBANE | ADELAIDE | UNITED STATES OF AMERICA | UNITED KINGDOM | NEW ZEALAND