

# GalvinCare® CP-BS Mental Health Anti-Ligature Shower Mixer Panel Mounted - Electronic Activation (UK)

Specification Data Sheet



## Features

- Anti-ligature features
- The unique design concept eliminates the institutional look and provides anti-ligature and vandal resistant compliance
- Easy operation allows the shower to be activated with your palm or fingers
- 170mm round face plate with polished stainless steel finish for a homely look, yet able to withstand heavy knocks
- Easy temperature blending and operation to ensure comfort and safety for the user
- Bevelled edges for maximum tight fixing
- Designed for easy panel installation (Maximum thickness 18mm)
- Access to the rear of the unit is required to fit this product
- If a removable panel is to be used (front mounting) then flexible hoses for water inlet and the shower outlet must be used
- Chrome plate finish for easy cleaning and added durability

## To Specify

GalvinCare® anti-ligature shower mixer range is manufactured in Australia and is designed to minimise the risk of self-harm and suicide while providing maximum protection from vandalism. The unique design of the shower mixer allows easy activation with the palm of a hand or fingers.

Robust and reliable, our GalvinCare® anti-ligature shower mixer range is water conserving and cost-effective.

### Code:

**42028UK** - GalvinCare® CP-BS Mental Health Anti-Ligature Shower Mixer Panel Mounted - Electronic Activation (UK)



A family  
owned  
Australian  
business

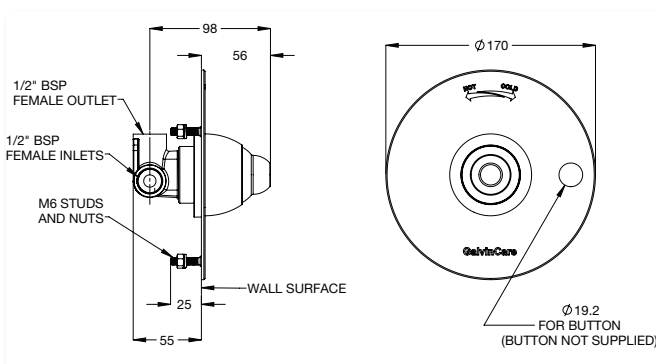


## Performance Standards & Approvals

- WRAS approved product.



## Typical Dimensions



## Technical Information

- Inlet: 1/2" BSP - Female
- Outlet: 1/2" BSP - Female
- Headwork: Ceramic Cartridge
- Working Pressure Range (kPa): 50 Min - 500 Max
- Working Temperature Range (°C): 5 Min - 40 Max
- Construction: Brass
- Finish: Chrome

## Maintenance & Cleaning

Galvin Specialised products should be cleaned with a soft damp cloth using only mild liquid detergent or soap and water. Do not use cleaning agents containing a corrosive acid, scouring agent or solvents. Do not use cream cleaners, as they are abrasive. Use of unsuitable cleaning agents may damage the surface. Any damage caused in this way will not be covered by warranty.

Regular maintenance should be carried out in accordance with the installation and troubleshooting guides provided with the product, relevant Australian Standards, local authorities and state codes.

As part of maintaining a safe and reliable plumbing system, we recommend tapware and valves are operated on at least a daily basis.

## Warranty

Galvin Engineering products are covered under our Manufacturer's Warranty at [www.galvinengineering.com.au](http://www.galvinengineering.com.au). Galvin Engineering products must be installed in accordance with the installation instructions and in accordance with AS3500 and the PCA, relevant Australian Standards and local authorities applicable to product being installed. Water and electrical supply conditions must also comply to the applicable national and/or state standards, failing to comply with these provisions may void the product warranty and affect performance of the product.

In the absence of a legal or industry definition of anti-ligature or ligature resistant products, when we use these terms, we are referring to products that are designed and manufactured with the intention of reducing the risk of ligature attachment to the product(s). Galvin Engineering Pty Ltd will always endeavour to design and test our anti-ligature product(s) to reduce the risk of product ligature attachment that may result in serious injury or death. Whilst all reasonable measures are taken at the time of design, the anti-ligature design of the products are not intended to and will not:

- Replace protective measures that need to be taken in the specific circumstances of usage;
- Substitute the need for supervision of those who may be at risk;
- Protect and or prevent those at risk against any self-harm instances that may occur when installed; and
- Protect and or prevent injury when the risks where unknown to us at the time of the design of the product(s).

Galvin Engineering Pty Ltd does not offer and does not represent or warrant that any product(s) for sale that are ligature-free.

Therefore, Galvin Engineering will not be liable for any claims, loss, or damages arising from ligature attachment on our products. It is the purchaser's responsibility to ensure that products purchased and installed are suitable for the environments in which they are installed, and suitable supervision and protective measures are in place to protect those at risk.

Whilst all reasonable care has been taken in compiling the information in this document, the designs, dimensions and products shown are indicative only and should not be relied upon without our prior approval. Due to our policy of continuous development, we reserve the right to alter any details of specifications or products without notice. All information, drawings, technical specifications and product designs remains the property of Galvin Engineering Pty Ltd.

Within Australia: **1300 514 074** Outside Australia: P: +61 (0)8 9338 2344

F: +61 (0)8 9338 2340

[sales@galvinengineering.com.au](mailto:sales@galvinengineering.com.au)

[www.galvinengineering.com.au](http://www.galvinengineering.com.au)

ABN: 78 008 719 382

A business unit of

**GalvinEngineering**

the mark of reliability



PERTH | SYDNEY | MELBOURNE | BRISBANE | ADELAIDE | UNITED STATES OF AMERICA | UNITED KINGDOM | NEW ZEALAND