

Product data sheet
Toilet roll holder 477.21.100

HEWI

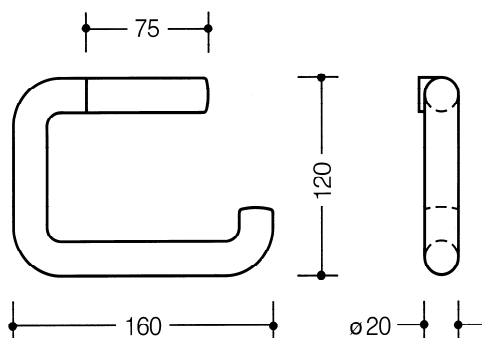


Toilet roll holder 477.21.100

- right-angled U-shaped holder
- anti-theft protection through concealed screw fixing
- 160 mm wide, 120 mm high, rail 20 mm in diameter
- made of high-quality polyamide according to HEWI colour chart



Dimensions in mm



Colours

98	99	97	95	92	90	18	24	36	33	86	84	74	72	55	50
----	----	----	----	----	----	----	----	----	----	----	----	----	----	----	----

Technical information subject to alteration, 14th April 2018

HEWI Heinrich Wilke GmbH
Postfach 1260
D-34442 Bad Arolsen

Telefon: +49 5691 82-366
Telefax: +49 5691 82-99366
international@hewi.com
www.hewi.com

HEWI (UK) Limited
Holm Oak Barn, Beluncle Halt
Stoke Road
Hoo Kent ME3 9NT

Phone +44 1634 258 200
Fax +44 1634 250 099
info@hewi.co.uk
www.hewi.com