

Safe-Cell® CP-BS Prison Ezy-Grip Basin/Sink Tap Complete Hot C/D

Specification Data Sheet



Features

- Anti-rotation pin
- Machined identification button
- Vandal resistant design
- High quality chrome finish for easy cleaning and hygiene maintenance
- Australian Made; therefore, spare parts and support are available locally, reducing maintenance and downtime costs

To Specify

Our AS/NZS 3718 approved, Galvin Specialised Safe-Cell® Prison Ezy-Grip Basin/Sink Tap is manufactured in Australia and is designed to minimise the risk of self harm and suicide while providing maximum protection from vandalism.

Our Safe-Cell® Prison Ezy-Grip Basin/Sink Tap is ideal for high risk, high security applications such as prisons, correctional facilities and detention centres or mental health facilities where users may try to harm themselves or others.

Code:

50101C - Safe-Cell® CP-BS Prison Easy-Grip Basin/
Sink Tap Complete Hot C/D



A family
owned
Australian
business



Performance Standards & Approvals

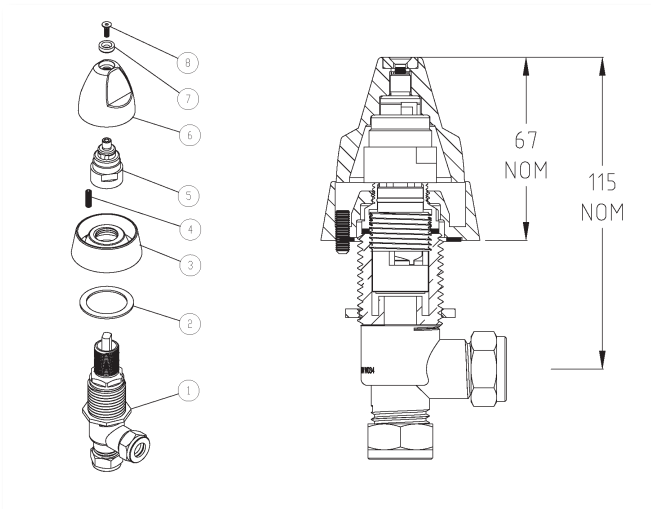
- AS/NZS 3718 – WaterMark



WaterMark

AS/NZS 3718 Lic. WMKA0034
SAI Global

Typical Dimensions



Technical Information

- Inlet collection: 1/2" CU / BSP
- Outlet connection: 1/2" CU / BSP
- Headwork: Ceramic
- Working Pressure Range (kPa): 50 Min - 500 Max
- Working Temperature Range (°C): 5 Min - 75 Max
- Construction: Brass
- Finish: Chrome

Maintenance & Cleaning

Galvin Engineering products should be cleaned with a soft damp cloth using only mild liquid detergent or soap and water. Do not use cleaning agents containing a corrosive acid, scouring agent or solvents. Do not use cream cleaners, as they are abrasive. Use of unsuitable cleaning agents may damage the surface. Any damage caused in this way will not be covered by warranty.

Regular maintenance should be carried out in accordance with the installation and troubleshooting guides provided with the product, relevant Australian Standards, local authorities and state codes.

As part of maintaining a safe and reliable plumbing system, we recommend tapware and valves are operated on at least a daily basis.

Warranty

Galvin Engineering products are covered under our Manufacturer's Warranty at www.galvinengineering.com.au. Galvin Engineering products must be installed in accordance with the installation instructions and in accordance with AS3500 and the PCA, relevant Australian Standards and local authorities applicable to product being installed. Water and electrical supply conditions must also comply to the applicable national and/or state standards, failing to comply with these provisions may void the product warranty and affect performance of the product.

Whilst all reasonable care has been taken in compiling the information in this document, the designs, dimensions and products shown are indicative only and should not be relied upon without our prior approval. Due to our policy of continuous development, we reserve the right to alter any details of specifications or products without notice. All information, drawings, technical specifications and product designs remains the property of Galvin Engineering Pty Ltd.

Within Australia: **1300 514 074** Outside Australia: P: +61 (0)8 9338 2344

F: +61 (0)8 9338 2340

sales@galvinengineering.com.au

www.galvinengineering.com.au

ABN: 78 008 719 382

A business unit of

GalvinEngineering
the mark of reliability



PERTH | SYDNEY | MELBOURNE | BRISBANE | ADELAIDE | UNITED STATES OF AMERICA | UNITED KINGDOM | NEW ZEALAND