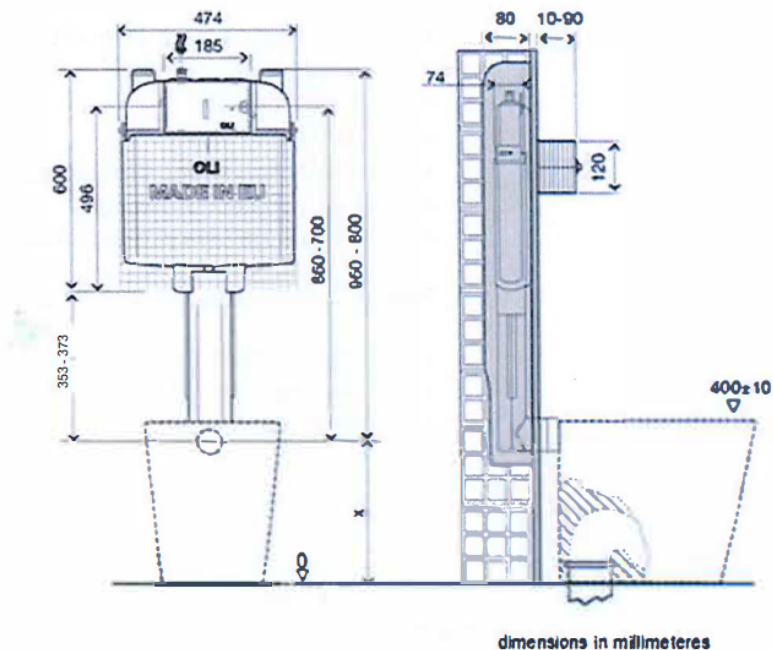


# Technical Sheet

## OLI74 PLUS



### Product Identification

601602

- OLI74 PLUS Pneumatic

### Definition and Application

- Flush cistern to be installed inside the wall and used in combination with floor standing sanitary applications
- Compatible with all floor mounted WC pans
- For Wallgate's Solid Surface Pans please refer to Wallgate's installation manual with min/max cistern height of 353mm - 373mm.

### Technical Features

- Dual flush in-wall cistern compatible with either dual or single flush actuators 6/3 litres
- Pneumatic actuation
- 80mm thickness
- Working pressure from 0,1 to 16 bar
- Resistance to atmospheric humidity (Hr <90%).
- Polypropylene (PP) cistern highly resistant and inalterable to thermal stress
- Other versions compliant with WRAS/NF/SAI-WATERMARK/UPC/KIWA standards
- EN 14055 marking CL1
- Equipped with Azor Plus Inlet Valves, with delayed refilling (saves up to 9 litres of water per day) and silent according to the NF standard category Class I
- Supplied with anti-condensation lining
- "A" class for the Water Efficiency in compliance with the ANQIP Authority requirements
- Possibility to put pneumatic actuation 2,5 meters from the cistern

# Technical Sheet

OLI74 PLUS

## Accessories

- 1 Discharge pipe  $\varnothing$  56 x 360
- 1 Seal for discharge pipe  $\varnothing$  40/45
- 1 Protective box
- 1 G 1/2" stop valve
- 1 Protection sponge for the stop valve
- 2 Metal plates for fixation
- 1 Discharge pipe protection cover in EPS

## Fixing accessories for metal plates

- 2 Screws ZN M5x16
- 2 Washers ZN M5
- 2 Nuts M5

## Warranty

Ten (10) years warranty according to the general selling terms, starting from the purchase date of the product.

If the product is not correctly installed the warranty is not valid