



Product data sheet
Holder 800.02.10090

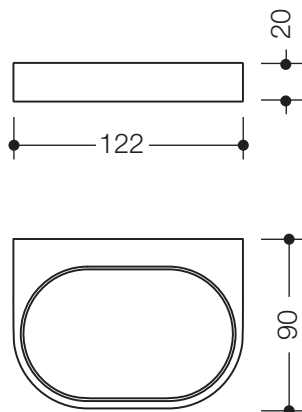
HEWI



Holder 800.02.10090

- oval wall-mounted bracket
- for soap dish 800.02.010
- for wall mounting, concealed fixing
- 122 mm wide, 20 mm high, 90 mm deep
- made of high-quality polyamide in HEWI colours 98 (signal white) or 99 (pure white)
- including non-corrosive HEWI fixing material.

Dimensions in mm



Colour

98	99
----	----

Technical information subject to alteration, 16th April 2018

HEWI Heinrich Wilke GmbH
Postfach 1260
D-34442 Bad Arolsen

Telefon: +49 5691 82-366
Telefax: +49 5691 82-99366
international@hewi.com
www.hewi.com

HEWI (UK) Limited
Holm Oak Barn, Beluncle Halt
Stoke Road
Hoo Kent ME3 9NT

Phone +44 1634 258 200
Fax +44 1634 250 099
info@hewi.co.uk
www.hewi.com