

Product data sheet

Rail with sideways adjustable vertical support bar and shower head holder 950.35.44099

HEWI

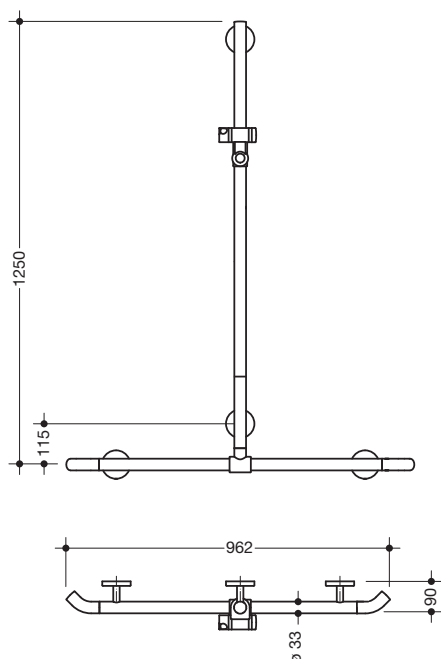


Similar picture

Rail with sideways adjustable vertical support bar and shower head holder 950.35.44099

- vertical and horizontal rails joined to form an L-shape, with shower head holder
- with 45° end bends facing the wall
- with vertical rail with shower head holder that can be moved to the side (for installation)
- shower grab rail made of high-quality polyamide
- rail and gripping area of the shower head holder according to HEWI colour chart
- shower head holder, supports and roses made of high-quality polyamide in the HEWI colour 99 (pure white)
- with continuous, corrosion resistant steel core
- vertical length 1250 mm, horizontal length 962 mm
- 90 mm deep, rail diameter 33 mm
- wall connection with discreet supports (diameter 18 mm) perpendicular to wall and flat roses
- rose diameter 80 mm, cap height 13 mm
- shower head holder can be continuously tilted and, after pulling or pushing a large lever, its height can be adjusted
- conical adapter on shower head holder makes it easier to hook in the handheld shower head
- suitable for shower heads of various manufacturers
- easy installation due to individually able fixing plates made of high-quality stainless steel for hanging the shower grab rail
- suitable for HEWI hanging seats 950.51...10..., 950.51...11..., 802.51...11..., 802.51...12... and 801.51...
- including non-corrosive HEWI fixing material.

Dimensions in mm



Colours

99	97	95	92	90	86	84	18	24	36	33	74	72	55	50
Basic colour	Rails													

Alternative colours

98	99	97	95	92	90	86	84	18	24	36	33	74	72	55	50
Basic colour	Rails														

Technical information subject to alteration, 16th April 2018

HEWI Heinrich Wilke GmbH
Postfach 1260
D-34442 Bad Arolsen

Telefon: +49 5691 82-366
Telefax: +49 5691 82-99366
international@hewi.com
www.hewi.com

HEWI (UK) Limited
Holm Oak Barn, Beluncle Halt
Stoke Road
Hoo Kent ME3 9NT

Phone +44 1634 258 200
Fax +44 1634 250 099
info@hewi.co.uk
www.hewi.com