

Product data sheet
Removable hanging seat 950.51.10190

HEWI

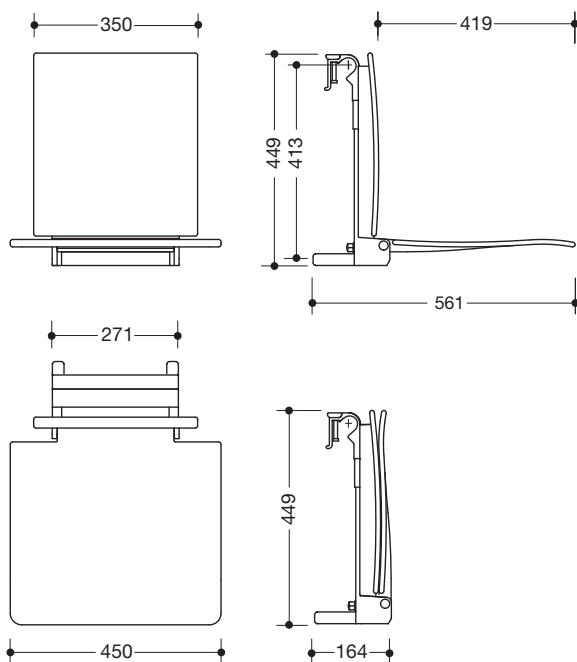


Removable hanging seat 950.51.10190

- ergonomically shaped seat with backrest
- used for safe sitting in the shower area
- 450 mm wide, 561 mm deep and 449 mm high (meets the DIN 18040 requirements)
- hanging device made of metal, white powder-coated
- seat and backrest made of glass fibre reinforced, anthracite grey polyamide
- ergonomically curved seat shape for a highly comfortable sitting
- large radii at the outside edges of the seat
- slip-resistant, textured seat surface
- seat can be folded up to save space
- no struts and fixings visible in folded up state
- carry handle can be lowered when not in use and at the same time acts as a stabiliser
- for hanging in HEWI shower grab rails and support rails diameter 33 mm
- maximum weight capacity 150 kg



Dimensions in mm



Surface/Colour

white	92
-------	----

Hanging device Seat

Alternative surface/colour

white	98
-------	----

Hanging device Seat

Technical information subject to alteration, 16th April 2018

HEWI Heinrich Wilke GmbH
 Postfach 1260
 D-34442 Bad Arolsen

Telefon: +49 5691 82-366
 Telefax: +49 5691 82-99366
 international@hewi.com
 www.hewi.com

HEWI (UK) Limited
 Holm Oak Barn, Beluncle Halt
 Stoke Road
 Hoo Kent ME3 9NT

Phone +44 1634 258 200
 Fax +44 1634 250 099
 info@hewi.co.uk
 www.hewi.com