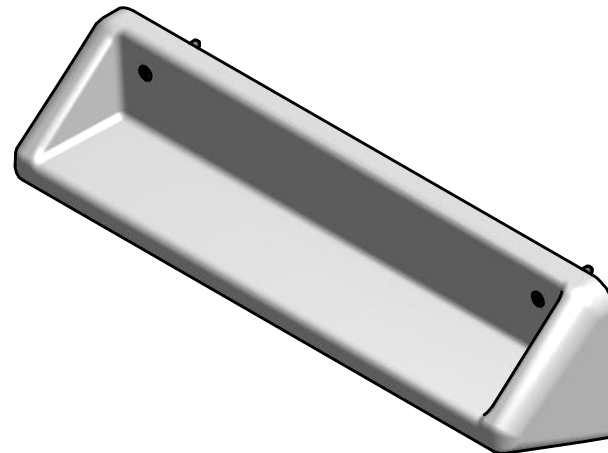
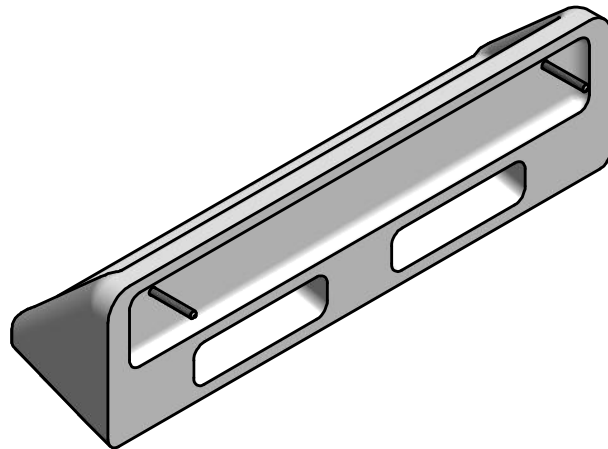
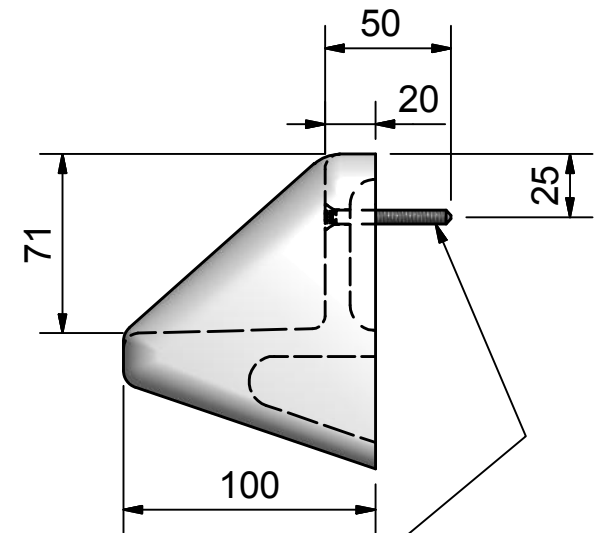
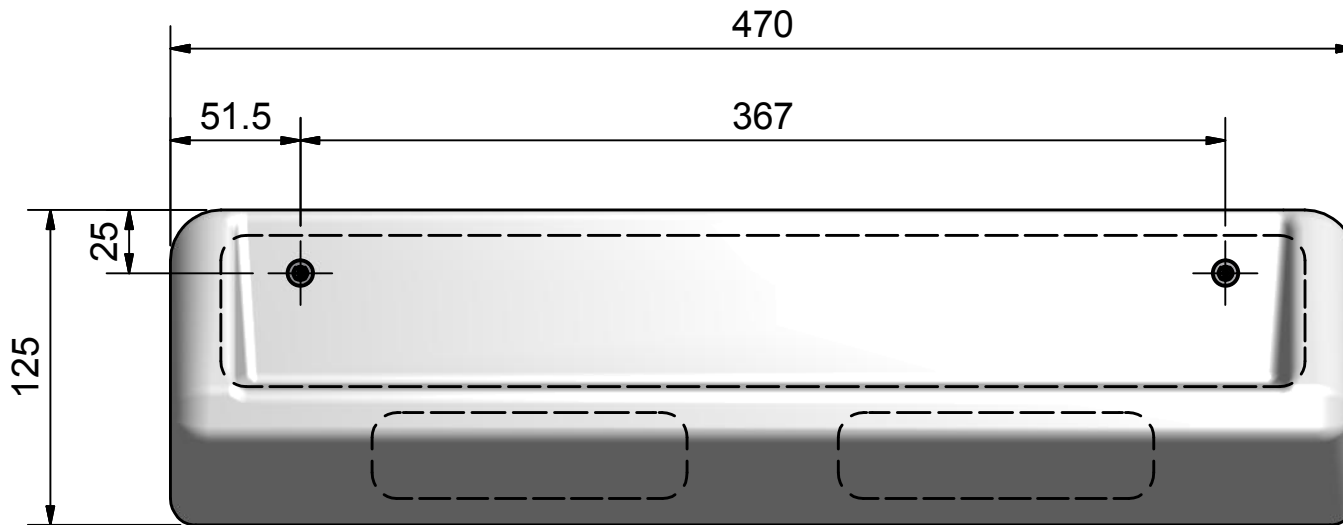


REVISION HISTORY				
REV	DATE	DESCRIPTION	BY	CHKD
1	25/03/2013	CREATED	DB	DB



FIXING SCREWS SUPPLIED.
 STAINLESS STEEL
 COUNTERSUNK TORX SECURITY
 SIX LOBE WITH PIN.
 SIZE: 5.5 x 50mm.

© 2012 Copyright THIS DRAWING IS THE PROPERTY OF WALLGATE LIMITED AND IS ISSUED ON THE STRICT UNDERSTANDING THAT THE INFORMATION CONTAINED WILL NOT BE REPRODUCED, COPIED OR USED WITHOUT PRIOR AGREEMENT OF WALLGATE LTD.

Wallgate

TITLE: SOLID SURFACE SHELF.

Drg No: ALF_01FF

Model/Client/Project:

MATERIAL: SOLID SURFACE.

FINISH:

Limits: (unless stated)
 ± 0.25mm (sheetmetal)
 ± 0.10mm (machined)
 ± 2.00mm (pattern)
 ± 5.00mm (moulded)

All dimensions in mm,
 All angles 90° (unless stated)

Scale:

A4 **3rd**