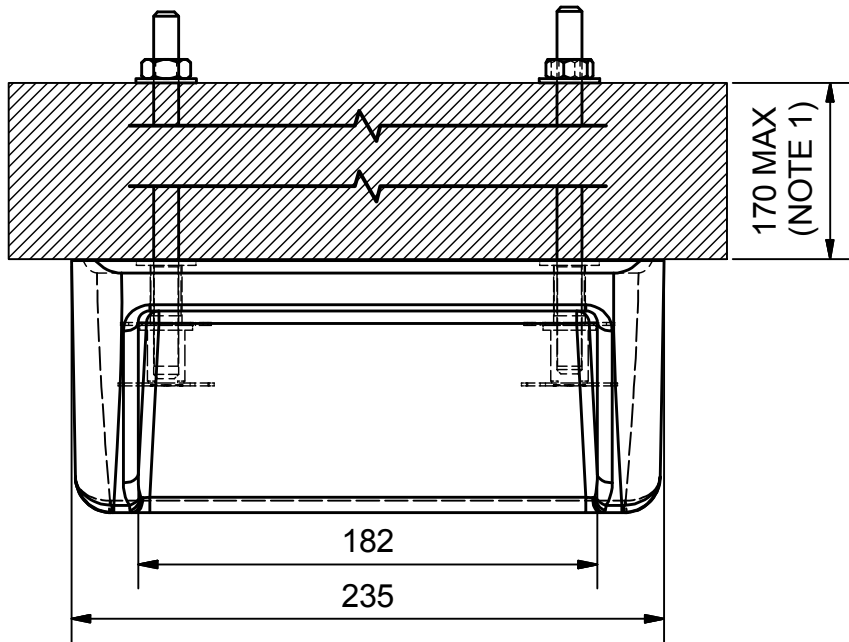


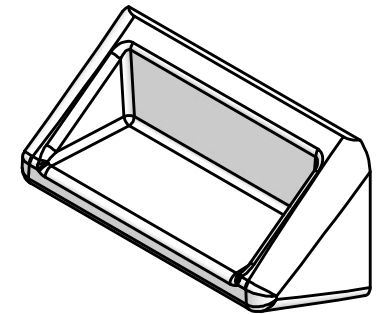
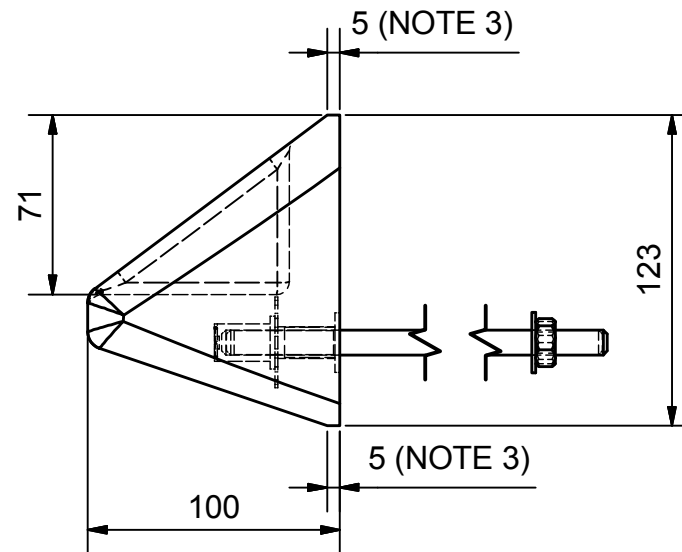
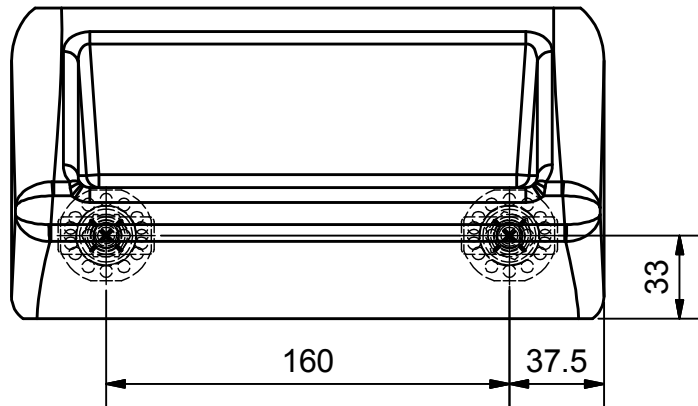
REVISION HISTORY

REV	DATE	DESCRIPTION	BY	CHKD
5	24/05/2016	Notes updated.	DB	DB



Notes:

1. M10 x 225mm Threaded studs, nuts & washers for wall fixing are provided (2 off).
2. Wall fixings are to be tightened to 15Nm.
3. The shelf has a 5mm wide flat surface on the top and lower rear edges. This is to facilitate the application of an anti pick hard set mastic such as Arbokol 1025 or Sikadur 33 to seal the shelf to the wall. A suitable tool to profile the mastic to the angled profile of the shelf should be used.



© 2015 Copyright THIS DRAWING IS THE PROPERTY OF WALLGATE LIMITED AND IS ISSUED ON THE STRICT UNDERSTANDING THAT THE INFORMATION CONTAINED WILL NOT BE REPRODUCED, COPIED OR USED WITHOUT PRIOR AGREEMENT OF WALLGATE LTD.



TITLE: Anti-Ligature Shelf.

Drg No: ALF-02

Model/Client/Project:

MATERIAL:

FINISH:

Limits: (unless stated)
 ± 0.25mm (sheetmetal)
 ± 0.10mm (machined)
 ± 2.00mm (pattern)
 ± 5.00mm (moulded)

All dimensions in mm,
 All angles 90° (unless stated)

Scale: NTS

A4 3rd