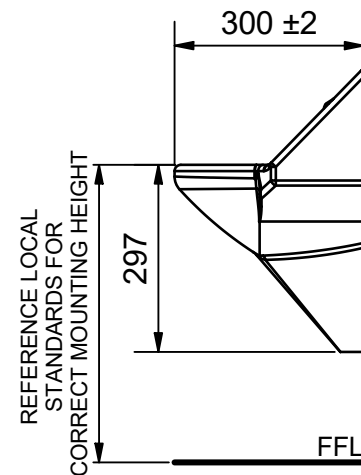
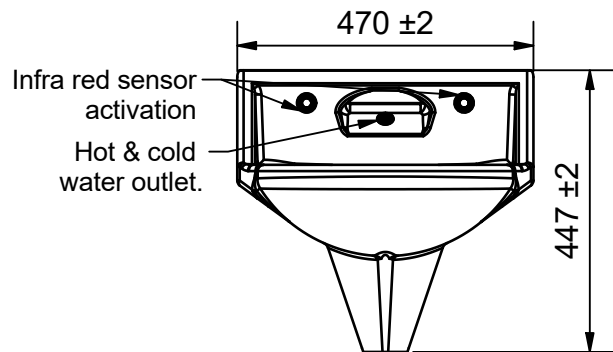
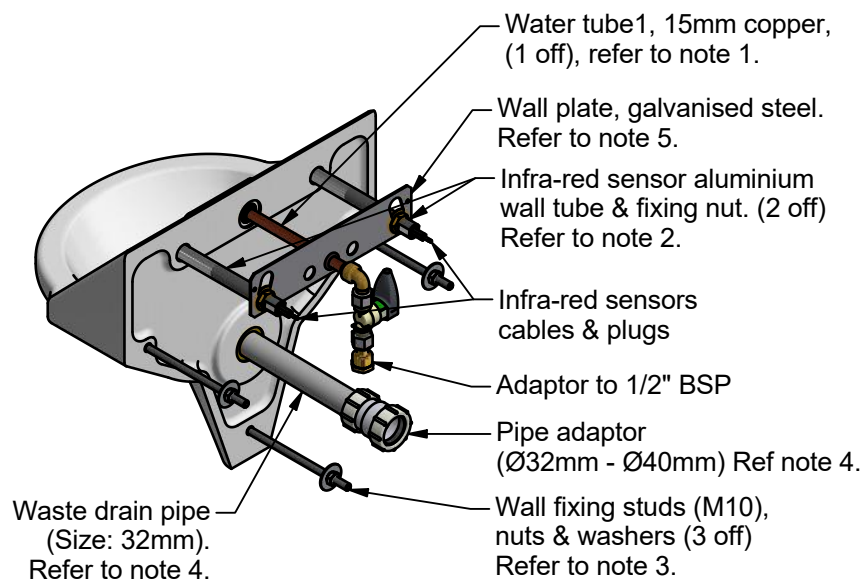


REVISION HISTORY				
REV	DATE	DESCRIPTION	BY	CHKD
2	08/01/2019	ECN2018-0036	AG	RD



**Notes:**

1. Copper tube of 15mm diameter & 220mm length for connection to the integral basin tap (Hot & cold) outlet is supplied. The tube is suitable for a wall or panel thickness <150mm.
2. Infra-red sensors have a cable length of 4 metres & are supplied fitted with aluminium extension tube to pass through the basin splashback & the wall. There are two length options for the extension tubes to suit the overall thickness of the wall plus the basin splashback (25mm), 0 - 85 & 85 - 195mm.
3. Wall fixing studs (M10 thread size) & 225mm long with nuts and washers are provided. The studs are suitable for a wall / panel thickness of up to 170mm.
4. The waste drain pipe is 32mm size & 250mm length & is suitable for a wall / panel thickness <180mm. The waste pipe is fitted with waste pipe adaptor (Ø32mm - Ø40mm) to suit Australian pipe work. A suitable deep seal waste trap (Not supplied) must be connected to the drain pipe.
5. A galvanised steel wall plate is provided, the plate is clamped to the back of the wall or panel using the Infra-red sensor wall tubes & provides support for the copper water tube to the basin tap.



© 2019 Copyright THIS DRAWING IS THE PROPERTY OF WALLGATE LIMITED AND IS ISSUED ON THE STRICT UNDERSTANDING THAT THE INFORMATION CONTAINED WILL NOT BE REPRODUCED, COPIED OR USED WITHOUT PRIOR AGREEMENT OF WALLGATE LTD.



**TITLE:** BASIN & INTEGRAL TAP WITH INFRA-RED SENSOR ACTIVATION.

**Drg No:** ALS-181-2-IR-AUS

Model/Client/Project: SHEET 1 OF 3

**MATERIAL:** Solid surface.

**FINISH:** Silk - Gloss polish.

Limits: (unless stated)  
 ± 0.25mm (sheetmetal)  
 ± 0.10mm (machined)  
 ± 2.00mm (pattern)  
 ± 5.00mm (moulded)

All dimensions in mm,  
 All angles 90° (unless stated)

**SCALE:** NTS

**A4** 3rd

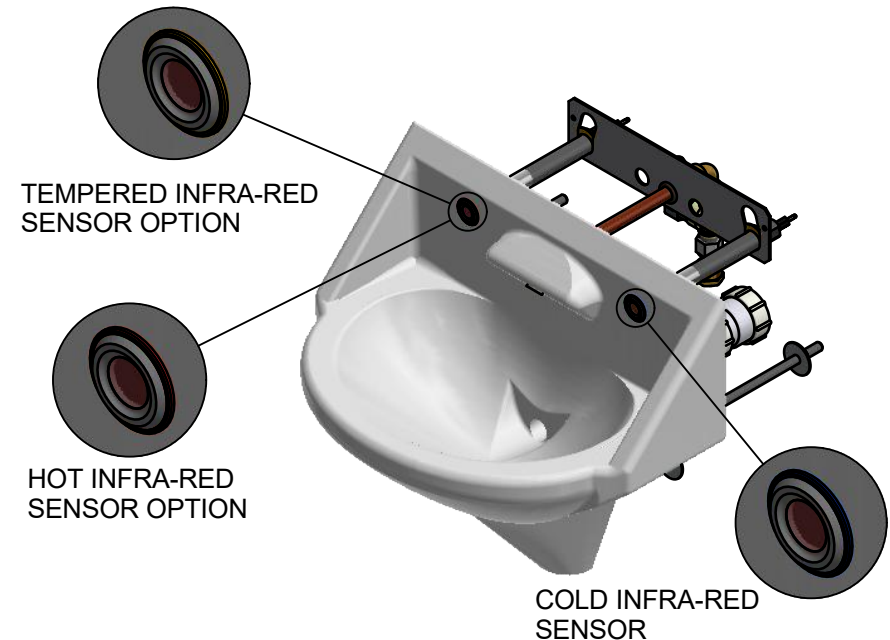
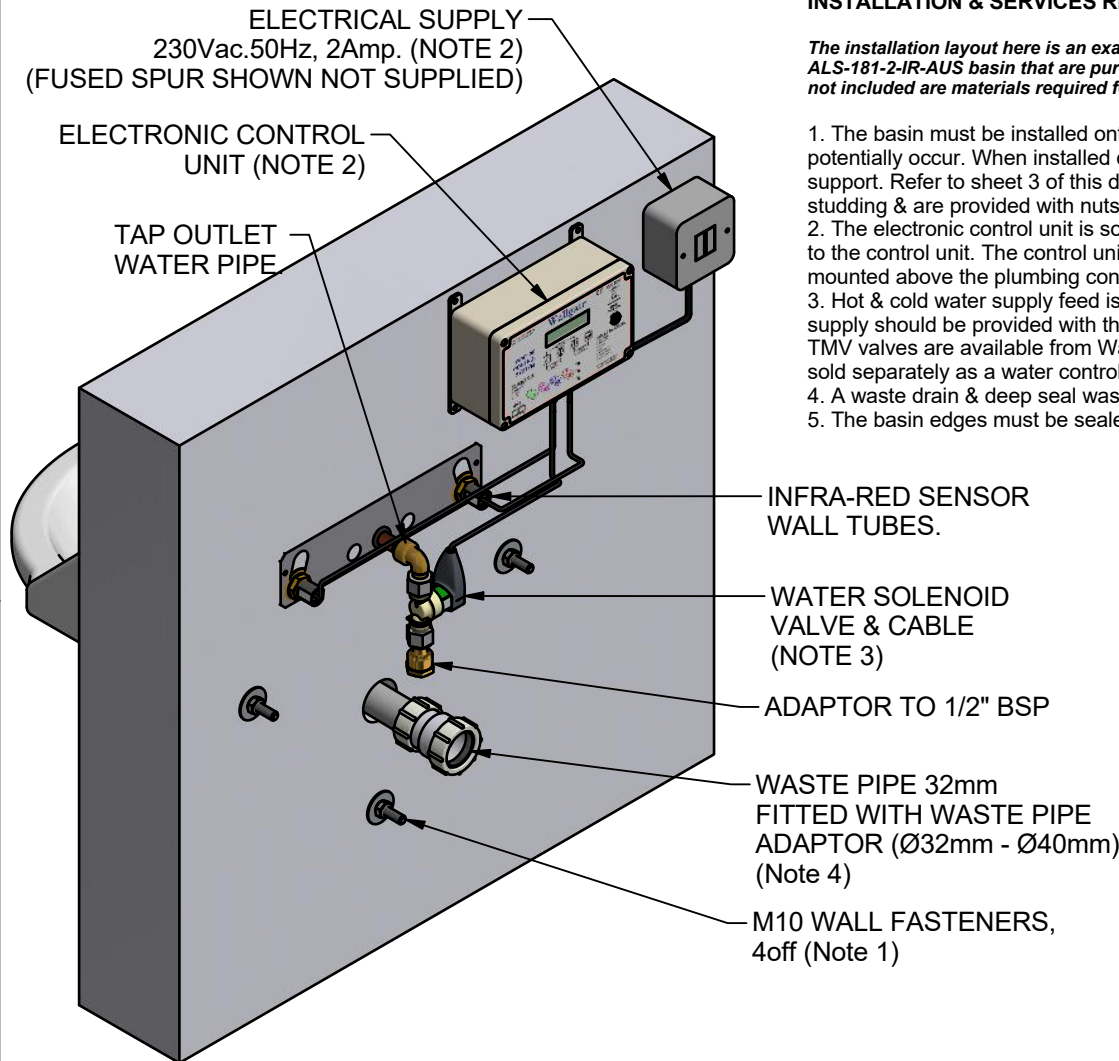
REVISION HISTORY

REV	DATE	DESCRIPTION	BY	CHKD
2	08/01/2019	ECN2018-0036	AG	RD

INSTALLATION & SERVICES REQUIREMENTS:

The installation layout here is an example only so as to provide a degree of guidance. It includes optional products not included with the ALS-181-2-IR-AUS basin that are purchased separately, these include the electronic control unit & the water control solenoid valves & cables. Also not included are materials required for the water & electrical services.

1. The basin must be installed onto a wall that is suitable to support the weight of the basin (18kg) and any additional loading that could potentially occur. When installed onto stud walls, the basin fasteners must pass through the wall timber studding to provide adequate support. Refer to sheet 3 of this drawing for the hole sizes & positioning on the wall. The basin wall fasteners are M10 size threaded studding & are provided with nuts and washers.
2. The electronic control unit is sold separately & requires an electrical 230VAC 50Hz 2Amp fused spur connection point positioned local to the control unit. The control unit (supplied with 1M mains lead) can be positioned as preferred but it is recommended that it is mounted above the plumbing connections.
3. Hot & cold water supply feed is required connecting to the 1/2" BSP adaptor on the inlet valve & fitted with isolating tap. The water supply should be provided with thermostatic control valve (TMV) unless the temperature is already controlled in the hot water system, TMV valves are available from Wallgate if required, contact sales. The basin tap outlet is controlled with a water solenoid valve that is sold separately as a water control valve pack. The recommended water supply pressure is 3Bar (300kPa).
4. A waste drain & deep seal waste trap (Not included) are required for connection to the basin waste pipe adaptor, size 40mm.
5. The basin edges must be sealed to the wall using an MOJ approved, hard set, anti pick hard set mastic.



© 2019 Copyright THIS DRAWING IS THE PROPERTY OF WALLGATE LIMITED AND IS ISSUED ON THE STRICT UNDERSTANDING THAT THE INFORMATION CONTAINED WILL NOT BE REPRODUCED, COPIED OR USED WITHOUT PRIOR AGREEMENT OF WALLGATE LTD.



**TITLE:** BASIN & CONTROLS, INSTALLATION LAYOUT.

**Drg No:** ALS-181-2-IR-AUS

Model/Client/Project: SHEET 2 OF 3

**MATERIAL:** Solid surface.

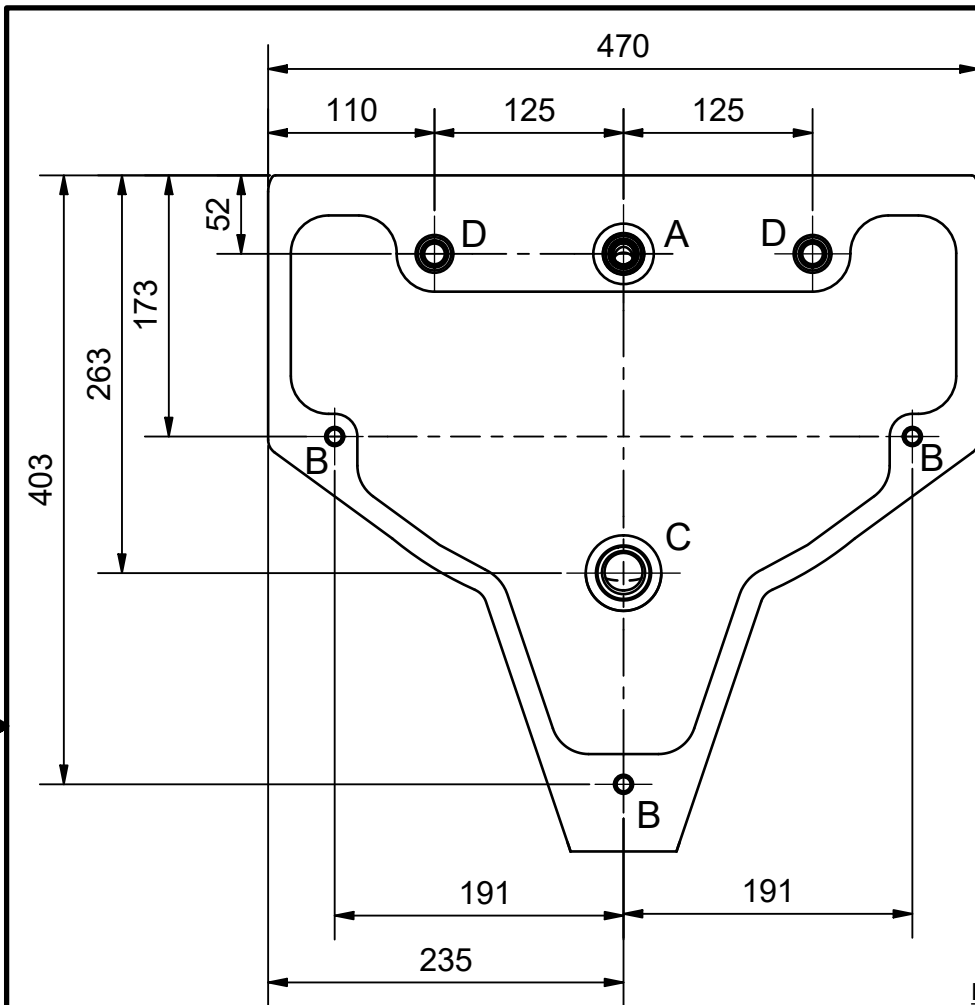
**FINISH:** Silk - Gloss polish.

Limits: (unless stated)  
 ± 0.25mm (sheetmetal)  
 ± 0.10mm (machined)  
 ± 2.00mm (pattern)  
 ± 5.00mm (moulded)

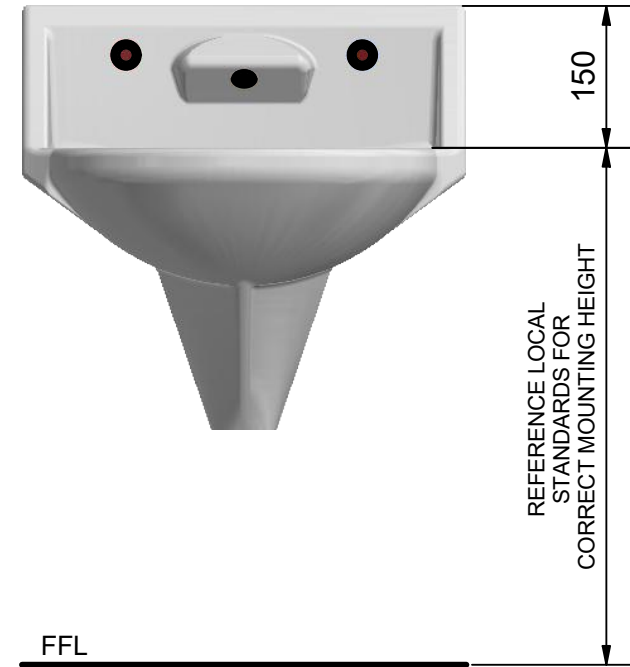
All dimensions in mm, All angles 90° (unless stated)

**SCALE:** NTS

**A4** 3rd



REVISION HISTORY				
REV	DATE	DESCRIPTION	BY	CHKD
2	08/01/2019	ECN2018-0036	AG	RD



**RECOMMENDED HOLE SIZES IN WALL:**

- (A) WATER PIPE HOLE  $\varnothing 30\text{mm}$  (1off)
- (B) BASIN FIXING HOLES.  $\varnothing 15\text{mm}$  TO  $20\text{mm}$  (3off)
- (C) WASTE PIPE HOLE.  $\varnothing 70\text{mm}$  (1off), (SEE NOTE 1).
- (D) INFRA-RED SENSOR HOLE.  $\varnothing 25\text{mm}$  TO  $30\text{mm}$  (2off).

**NOTES:-**

1. THE WALL HOLE SIZE SPECIFIED HERE FOR THE WASTE PIPE ONLY AND ALLOWS ENOUGH CLEARANCE FOR A PIPE FALL OF 3°.

© 2019 Copyright THIS DRAWING IS THE PROPERTY OF WALLGATE LIMITED AND IS ISSUED ON THE STRICT UNDERSTANDING THAT THE INFORMATION CONTAINED WILL NOT BE REPRODUCED, COPIED OR USED WITHOUT PRIOR AGREEMENT OF WALLGATE LTD.

	<b>TITLE:</b> WALL HOLE SIZES & POSITIONING.	<b>MATERIAL:</b> Solid surface.	Limits: (unless stated) $\pm 0.25\text{mm}$ (sheetmetal) $\pm 0.10\text{mm}$ (machined) $\pm 2.00\text{mm}$ (pattern) $\pm 5.00\text{mm}$ (moulded)	All dimensions in mm, All angles 90° (unless stated)
	<b>Drg No:</b> ALS-181-2-IR-AUS Model/Client/Project: SHEET 3 OF 3	<b>FINISH:</b> Silk - Gloss polish.	<b>SCALE:</b> NTS A4  3rd	