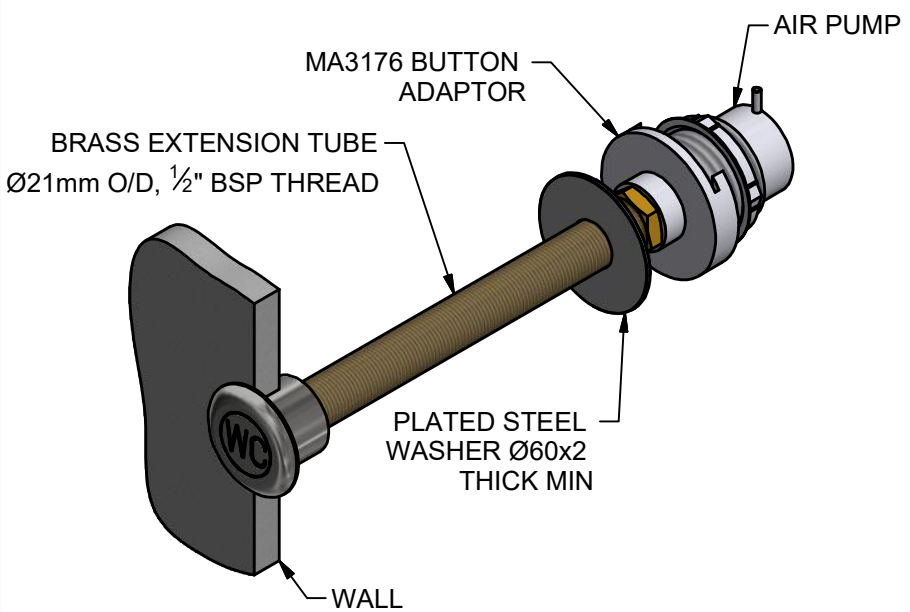
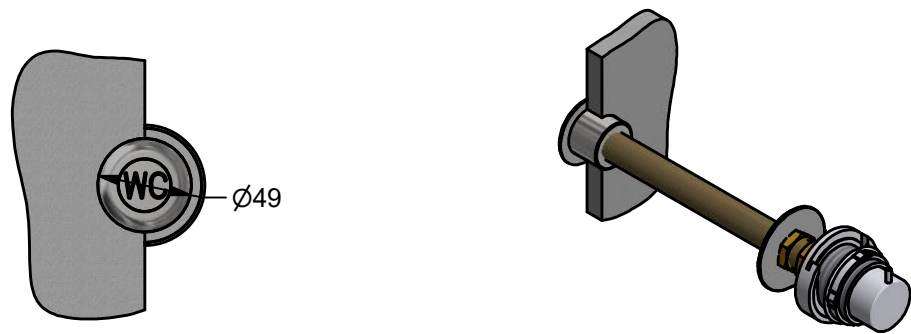
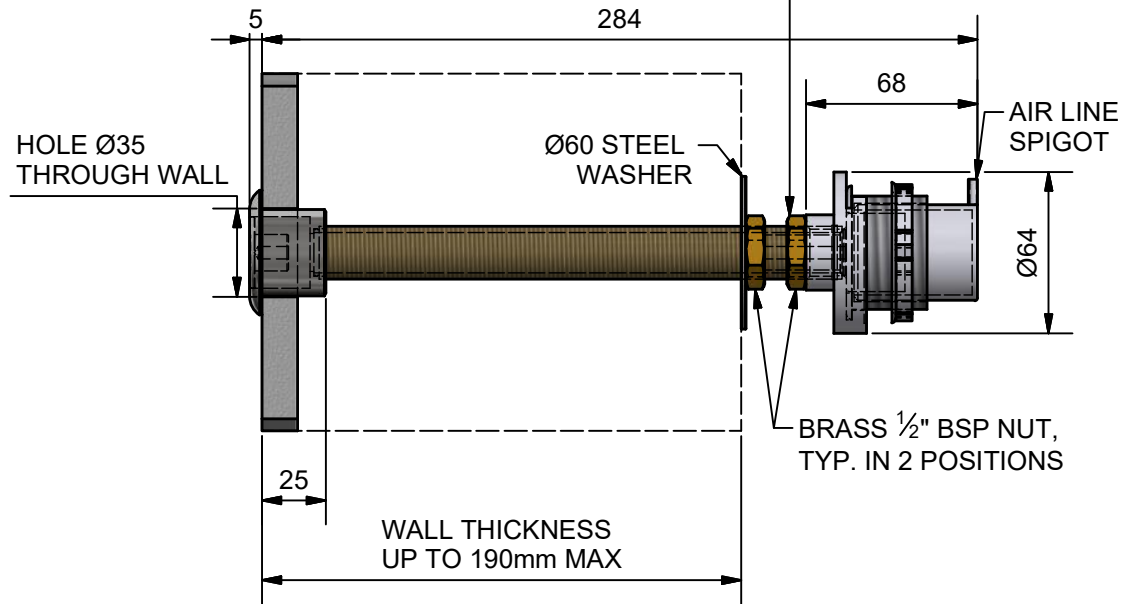


REVISION HISTORY				
REV	DATE	DESCRIPTION	BY	CHKD
1	08/03/2017	CREATED	PH	DB


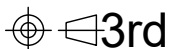


RECOMMENDED INSTALLATION REQUIREMENTS:
 APPLY THREAD LOCK TYPE LOCTITE 222 TO WALL CLAMP NUT POSITION ON TUBE & TIGHTEN TO 15Nm±1



VIEW ON REAR OF ASSEMBLY

© 2017 Copyright THIS DRAWING IS THE PROPERTY OF WALLGATE LIMITED AND IS ISSUED ON THE STRICT UNDERSTANDING THAT THE INFORMATION CONTAINED WILL NOT BE REPRODUCED, COPIED OR USED WITHOUT PRIOR AGREEMENT OF WALLGATE LTD.

 <p>ROBUST. INNOVATIVE. WASHROOMS</p>	TITLE: WC PUSH BUTTON & AIR PUMP DIMENSIONAL DETAIL Drg No: CIPB12-B-PUMP-DIM Model/Client/Project:	MATERIAL: FINISH:	Limits: (unless stated) ± 0.25mm (sheetmetal) ± 0.10mm (machined) ± 2.00mm (pattern) ± 5.00mm (moulded)	All dimensions in mm, All angles 90° (unless stated) SCALE: A4  3rd
	t: +44 (0) 1722 744 594 f: +44 (0) 1722 742 096 e: sales@wallgate.com w: www.wallgate.com Company Reg No. 156022			