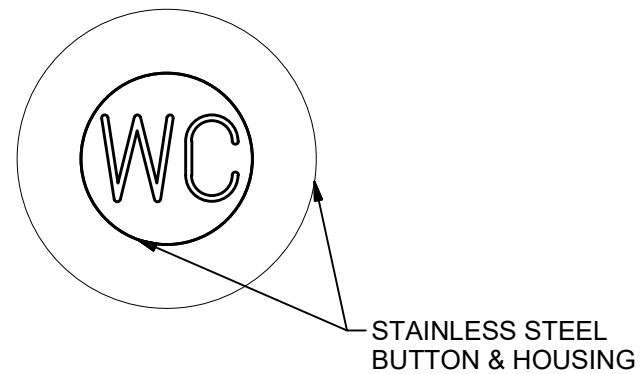
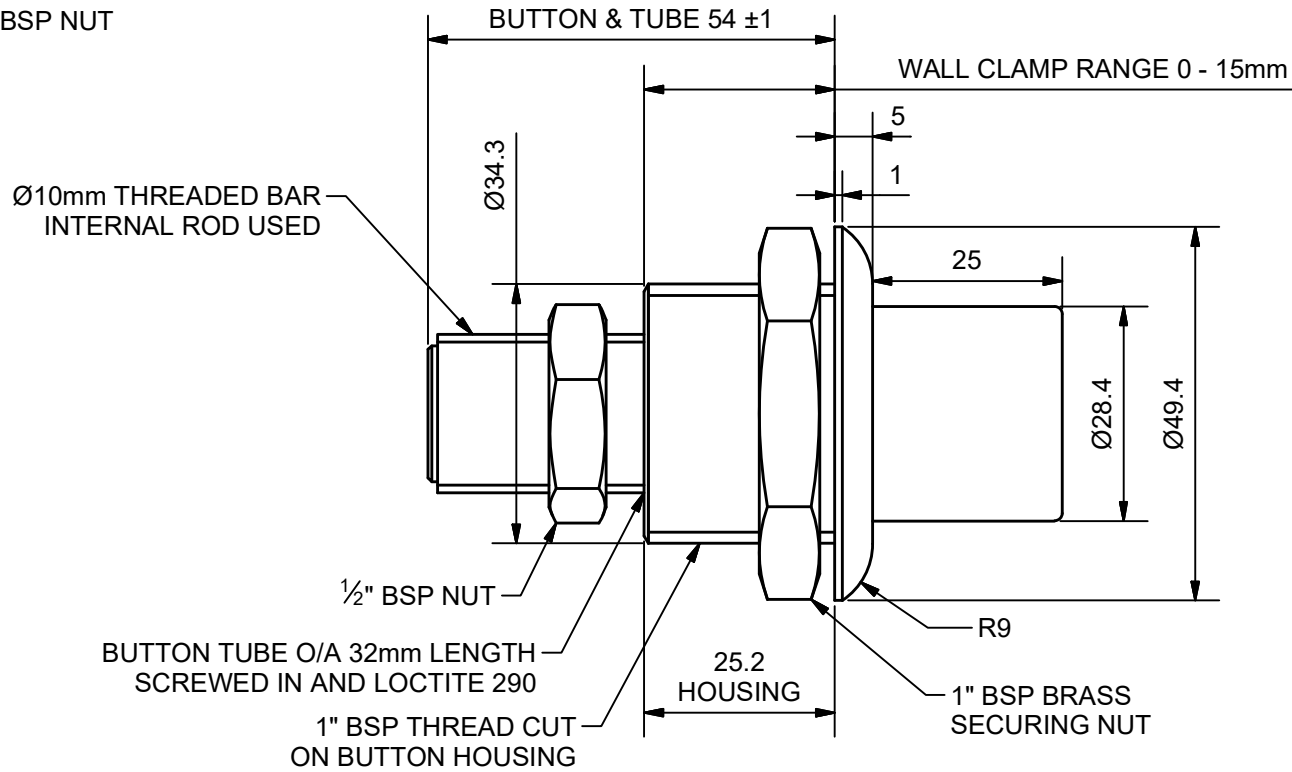


REVISION HISTORY				
REV	DATE	DESCRIPTION	BY	CHKD
3	13/07/2017	ø6mm TO ø10mm INTERNAL ROD	PH	RD



© 2017 Copyright THIS DRAWING IS THE PROPERTY OF WALLGATE LIMITED AND IS ISSUED ON THE STRICT UNDERSTANDING THAT THE INFORMATION CONTAINED WILL NOT BE REPRODUCED, COPIED OR USED WITHOUT PRIOR AGREEMENT OF WALLGATE LTD.



TITLE: WC PUSH BUTTON FOR PNEUMATIC CISTERN (WALL THICKNESS 0mm - 15mm)
Drg No: CIPB13
 Model/Client/Project:

MATERIAL: SEE DRAWING
FINISH:

Limits: (unless stated)
 ± 0.25mm (sheetmetal)
 ± 0.10mm (machined)
 ± 2.00mm (pattern)
 ± 5.00mm (moulded)

All dimensions in mm, All angles 90° (unless stated)
SCALE:
 A4 3rd