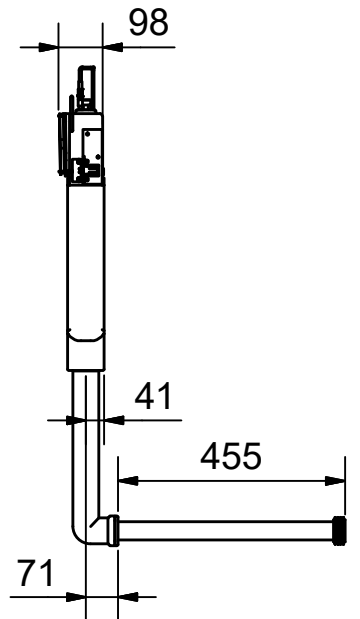
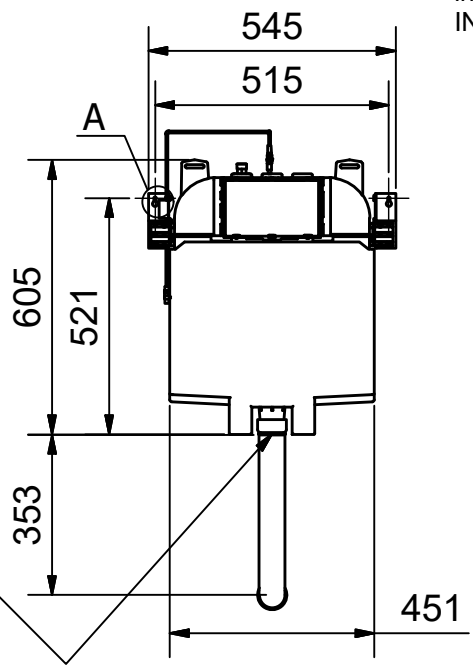
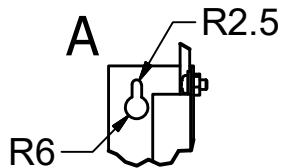
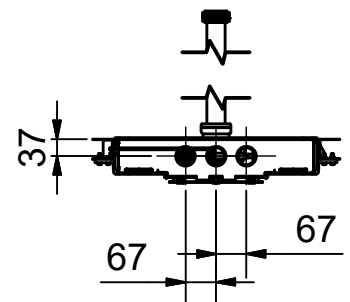
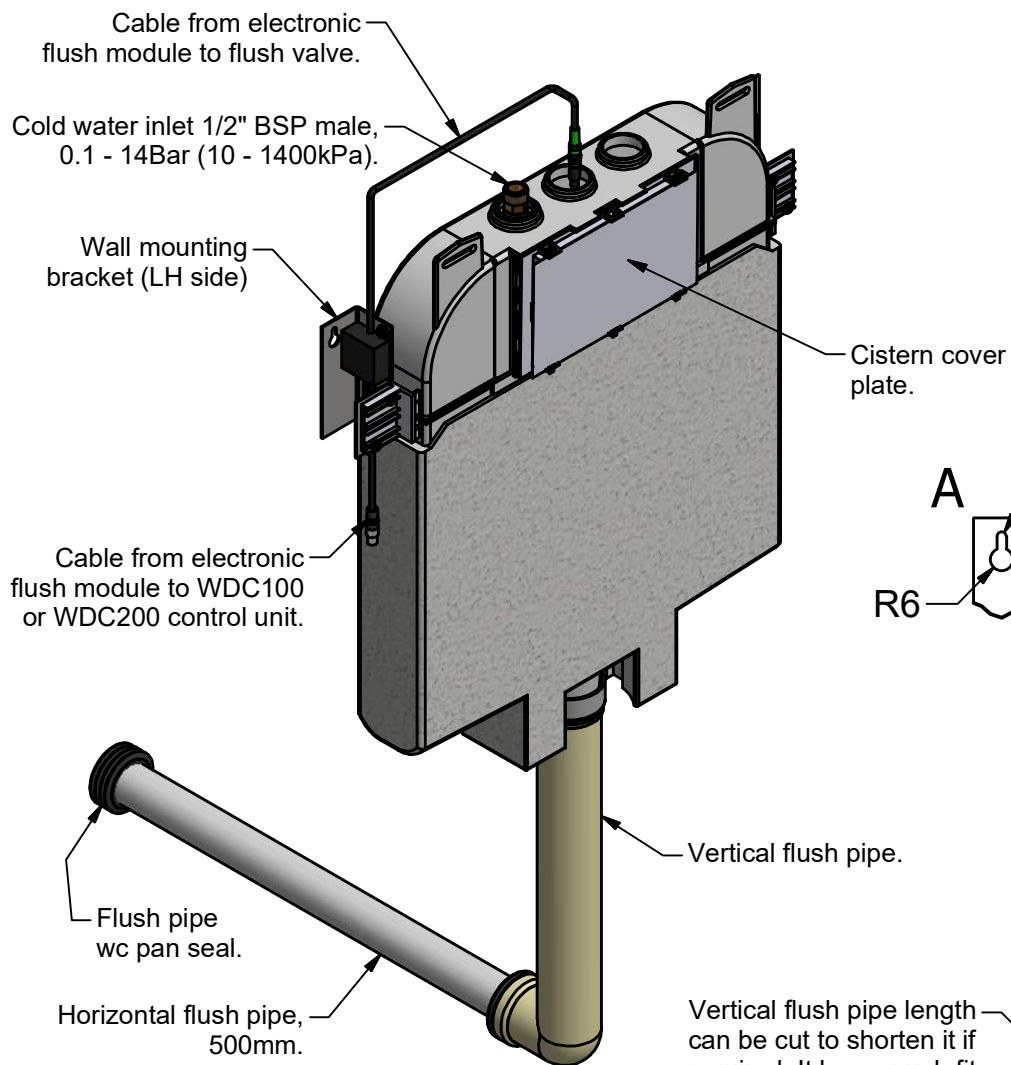


REVISION HISTORY

REV	DATE	DESCRIPTION	BY	CHKD
1	31/10/2016	Created	DB	DB



Vertical flush pipe length can be cut to shorten it if required. It has a push fit connection to the cistern flush valve that allows a 20mm height adjustment.

Notes:

1. The CIST19-ELEC cistern requires an electronic control unit such as the WDC100 or WDC200 & either a piezo touch button or infra red sensor which are sold separately. The control unit requires a 230VAC 50Hz 2A electrical supply.
2. Drawings are available showing a typical installation layout such as INS-CWC-80-CIST19-ELEC.

© 2016 Copyright THIS DRAWING IS THE PROPERTY OF WALLGATE LIMITED AND IS ISSUED ON THE STRICT UNDERSTANDING THAT THE INFORMATION CONTAINED WILL NOT BE REPRODUCED, COPIED OR USED WITHOUT PRIOR AGREEMENT OF WALLGATE LTD.



TITLE: Electronic flush valve
WC cistern.
Drg No: CIST19-ELEC
Model/Client/Project:

MATERIAL:
FINISH:

Limits: (unless stated)
± 0.25mm (sheetmetal)
± 0.10mm (machined)
± 2.00mm (pattern)
± 5.00mm (moulded)

All dimensions in mm,
All angles 90° (unless stated)
Scale:
A4 3rd