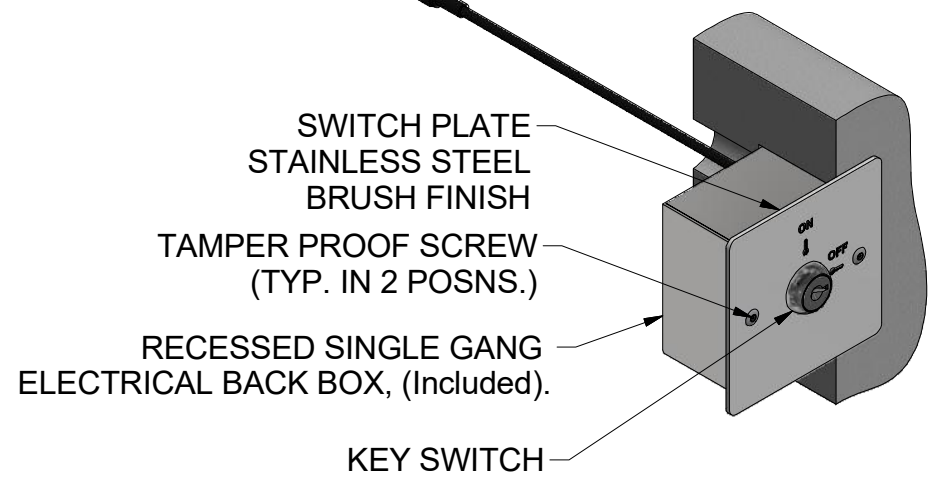
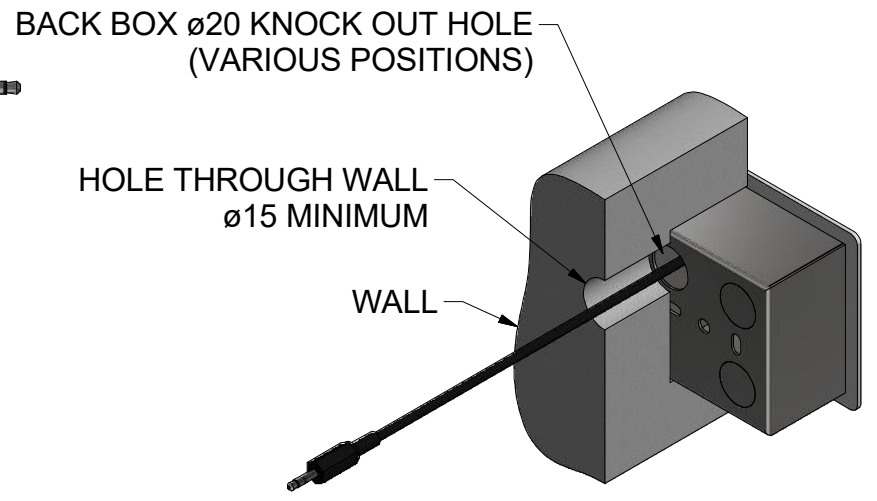
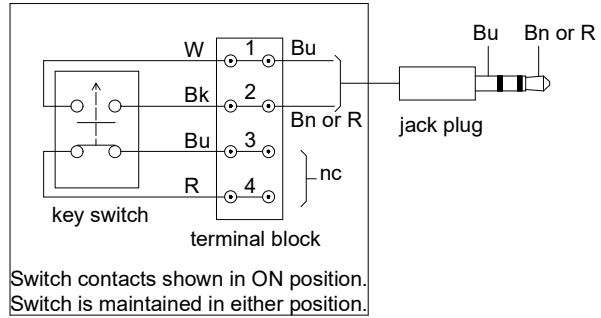


REVISION HISTORY				
REV	DATE	DESCRIPTION	BY	CHKD
2	06/02/2018	SCHEMATIC UPDATED	PH	RD



NOTES.

1. TWO KEYS SUPPLIED.
2. OFF POSITION = LOCKOUT, ON POSITION = ACTIVE.
3. WIRING SCHEMATIC:-



© 2018 Copyright THIS DRAWING IS THE PROPERTY OF WALLGATE LIMITED AND IS ISSUED ON THE STRICT UNDERSTANDING THAT THE INFORMATION CONTAINED WILL NOT BE REPRODUCED, COPIED OR USED WITHOUT PRIOR AGREEMENT OF WALLGATE LTD.

	TITLE: KEY OPERATED SWITCH UNIT Drg No: CLS-03 Model/Client/Project:	MATERIAL: FINISH:	Limits: (unless stated) ± 0.25mm (sheetmetal) ± 0.10mm (machined) ± 2.00mm (pattern) ± 5.00mm (moulded)	All dimensions in mm, All angles 90° (unless stated) SCALE: A4
	t: +44 (0) 1722 744 594 f: +44 (0) 1722 742 096 e: sales@wallgate.com	w: www.wallgate.com Company Reg No. 156022		