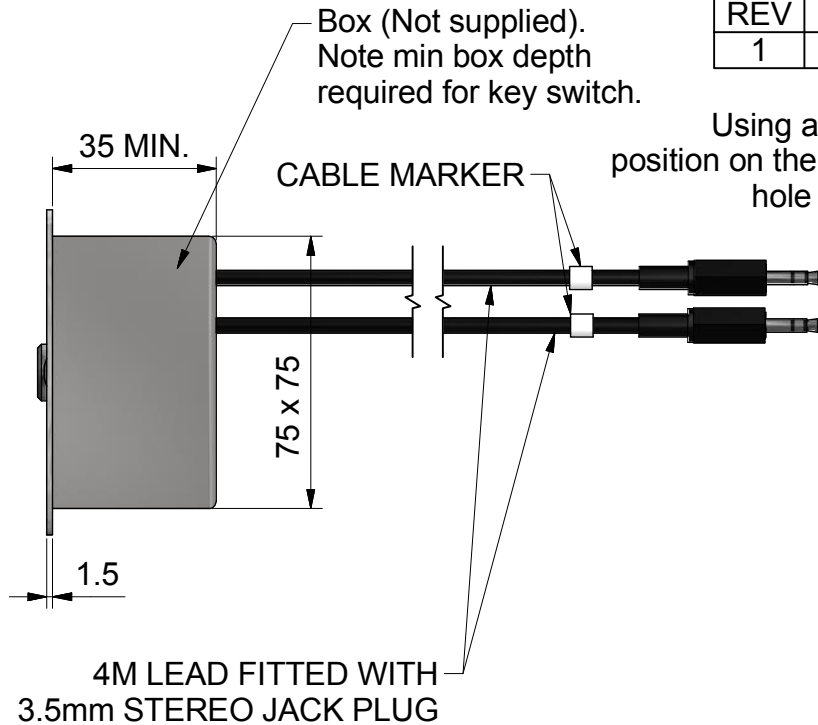
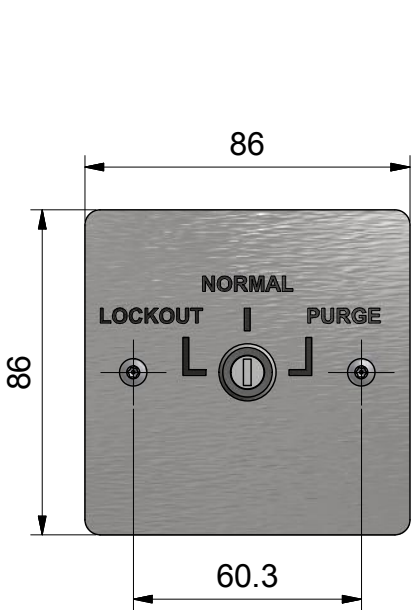
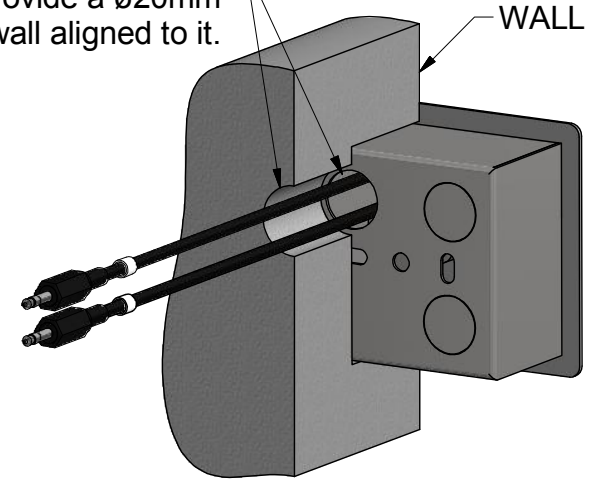


REVISION HISTORY

REV	DATE	DESCRIPTION	BY	CHKD
1	30.11.2015	CREATED	PB	DB

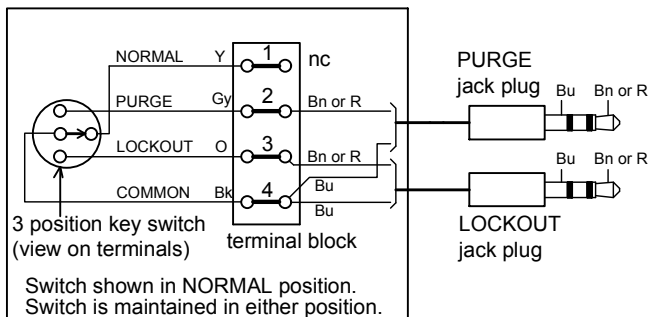


Using a suitable knockout hole position on the box, provide a $\varnothing 20\text{mm}$ hole in the wall aligned to it.



NOTES.

1. TWO KEYS SUPPLIED.
2. WIRING SCHEMATIC:-



- SWITCH PLATE STAINLESS STEEL BRUSH FINISH
- TAMPER PROOF SCREW (TYP. IN 2 POSNS., NOT SUPPLIED)
- RECESSED SINGLE GANG ELECTRICAL BACK BOX
- KEY SWITCH

© 2015 Copyright THIS DRAWING IS THE PROPERTY OF WALLGATE LIMITED AND IS ISSUED ON THE STRICT UNDERSTANDING THAT THE INFORMATION CONTAINED WILL NOT BE REPRODUCED, COPIED OR USED WITHOUT PRIOR AGREEMENT OF WALLGATE LTD.

Wallgate

TITLE: KEY OPERATED SWITCH UNIT

Drg No: CLS-05

Model/Client/Project:

All dimensions in mm, All angles 90° (unless stated)

Scale: NTS

A4 3rd