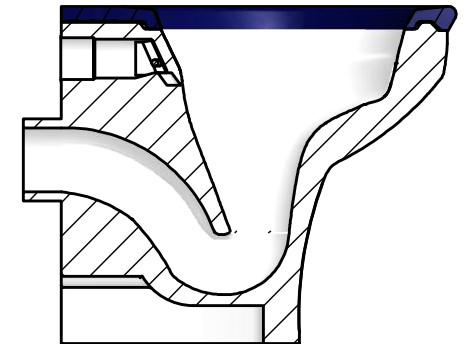
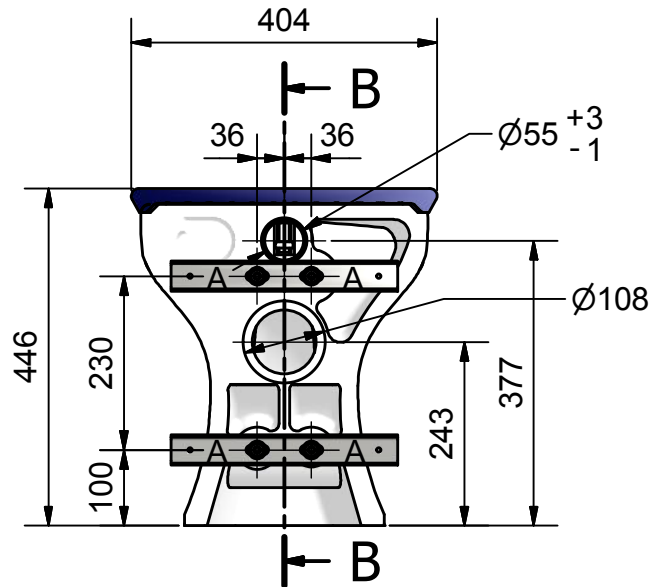
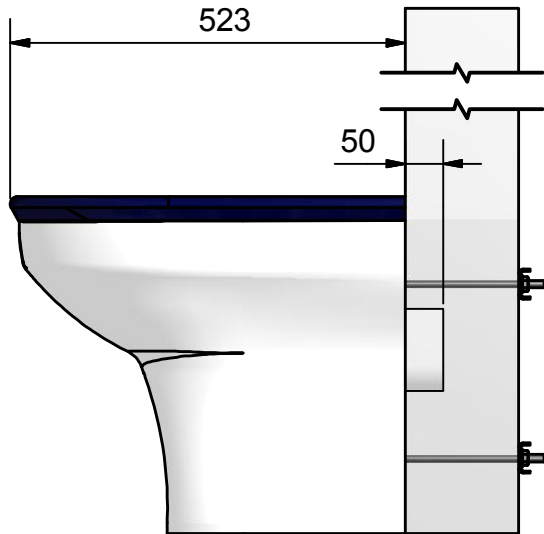
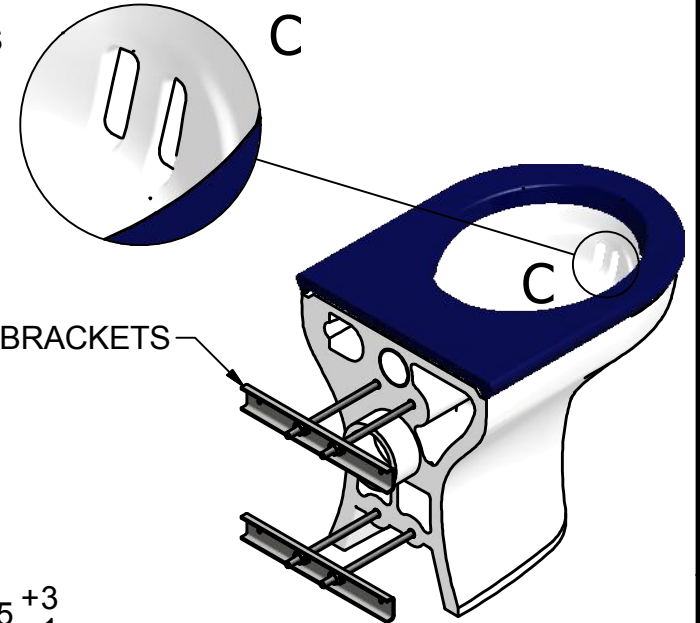
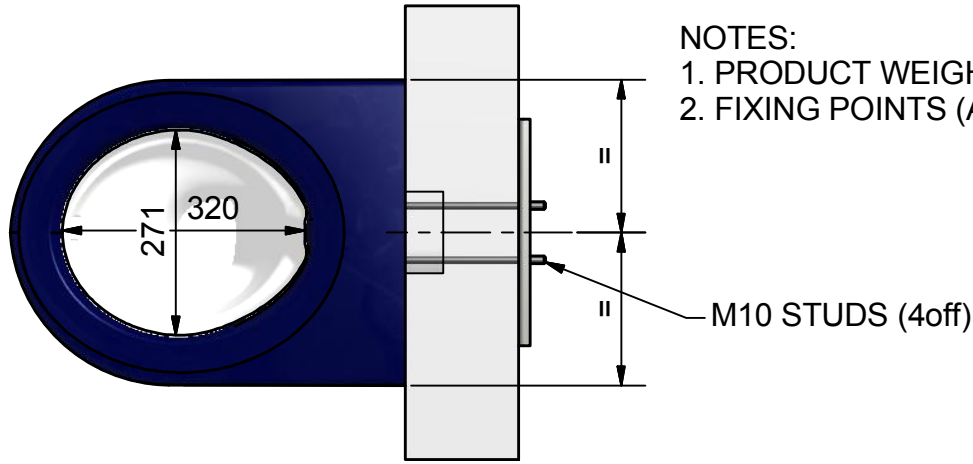


REVISION HISTORY

REV	DATE	DESCRIPTION	BY	CHKD
1	28/01/2014	CREATED	RD	DB

NOTES:

1. PRODUCT WEIGHT = 50 kg
2. FIXING POINTS (A) M10 THREADED STUDS



© 2013 Copyright THIS DRAWING IS THE PROPERTY OF WALLGATE LIMITED AND IS ISSUED ON THE STRICT UNDERSTANDING THAT THE INFORMATION CONTAINED WILL NOT BE REPRODUCED, COPIED OR USED WITHOUT PRIOR AGREEMENT OF WALLGATE LTD.

**Wallgate**

TITLE: ANTI LIGATURE PAN AND SEAT  
Drg No: CWC-150AST  
Model/Client/Project:

MATERIAL: POLYESTER SOLID SURFACE  
FINISH:

Limits: (unless stated)  
± 0.25mm (sheetmetal)  
± 0.10mm (machined)  
± 2.00mm (pattern)  
± 5.00mm (moulded)

All dimensions in mm,  
All angles 90° (unless stated)  
Scale: NTS  
A4 3rd