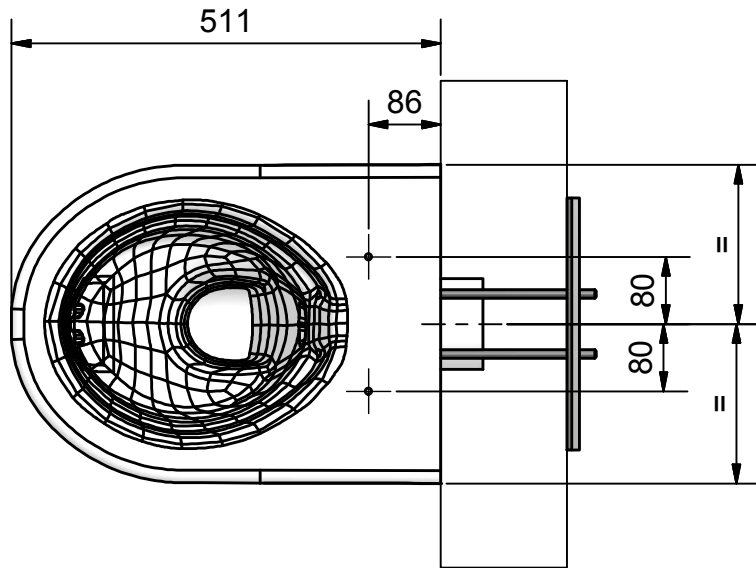


REVISION HISTORY

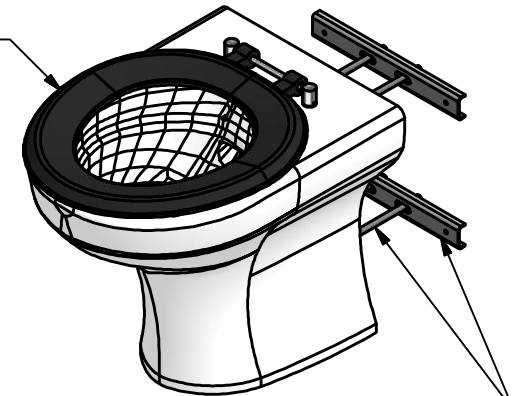
REV	DATE	DESCRIPTION	BY	CHKD
1	14/07/2016	CREATED	RD	DB



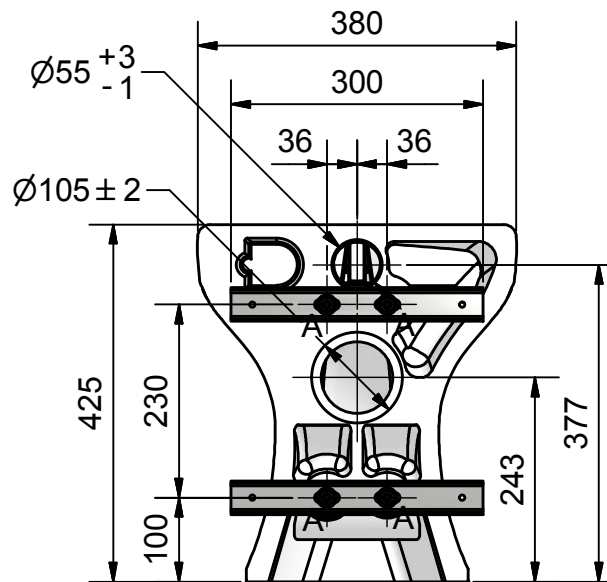
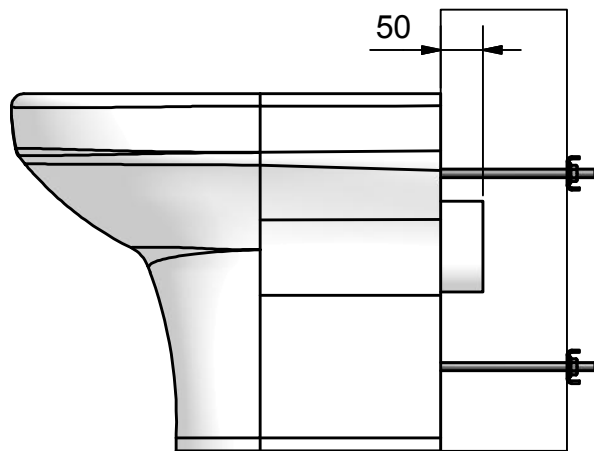
NOTES:

1. PRODUCT WEIGHT: 48.5KG
2. RECOMMENDED TIGHTENING TORQUE 13NM FOR WALL FIXINGS.

WC Seat, model TS0005.
(Optional, sold seperately)



(A) Wall fixings M10 x 225mm (4off)
& clamp brackets (2off)



ALL VERTICAL DIMENSIONS ARE TAKEN FROM THE FOOT OF THE WC PAN

© 2016 Copyright THIS DRAWING IS THE PROPERTY OF WALLGATE LIMITED AND IS ISSUED ON THE STRICT UNDERSTANDING THAT THE INFORMATION CONTAINED WILL NOT BE REPRODUCED, COPIED OR USED WITHOUT PRIOR AGREEMENT OF WALLGATE LTD.



TITLE: ANTI LIGATURE WC PAN 425mm HEIGHT WITH SEAT FIXINGS

Drg No: CWC-150-SF-AUS

Model/Client/Project:

MATERIAL: POLYESTER SOLID SURFACE

FINISH: SILK - GLOSS POLISH

Limits: (unless stated)
± 0.25mm (sheetmetal)
± 0.10mm (machined)
± 2.00mm (pattern)
± 5.00mm (moulded)

All dimensions in mm,
All angles 90° (unless stated)

Scale: NTS

A4 3rd