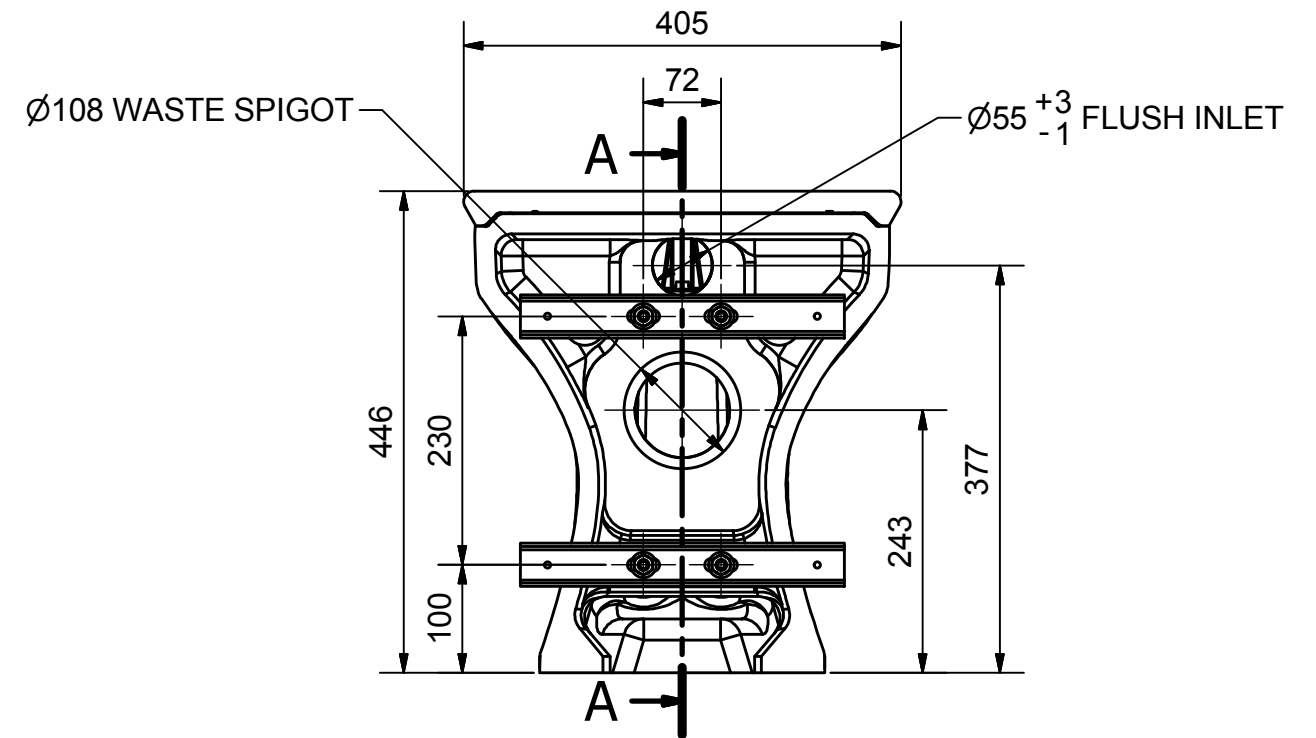
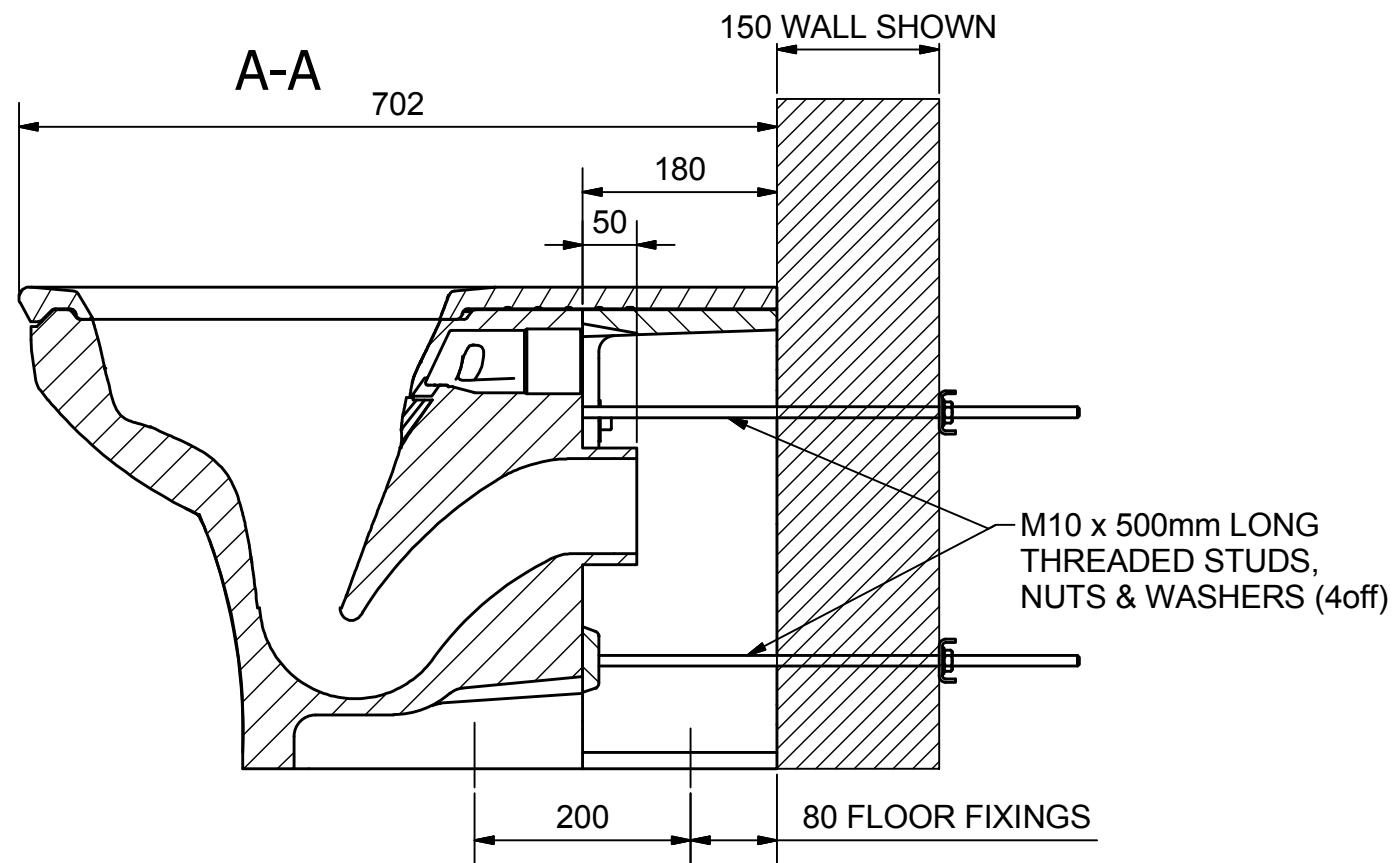
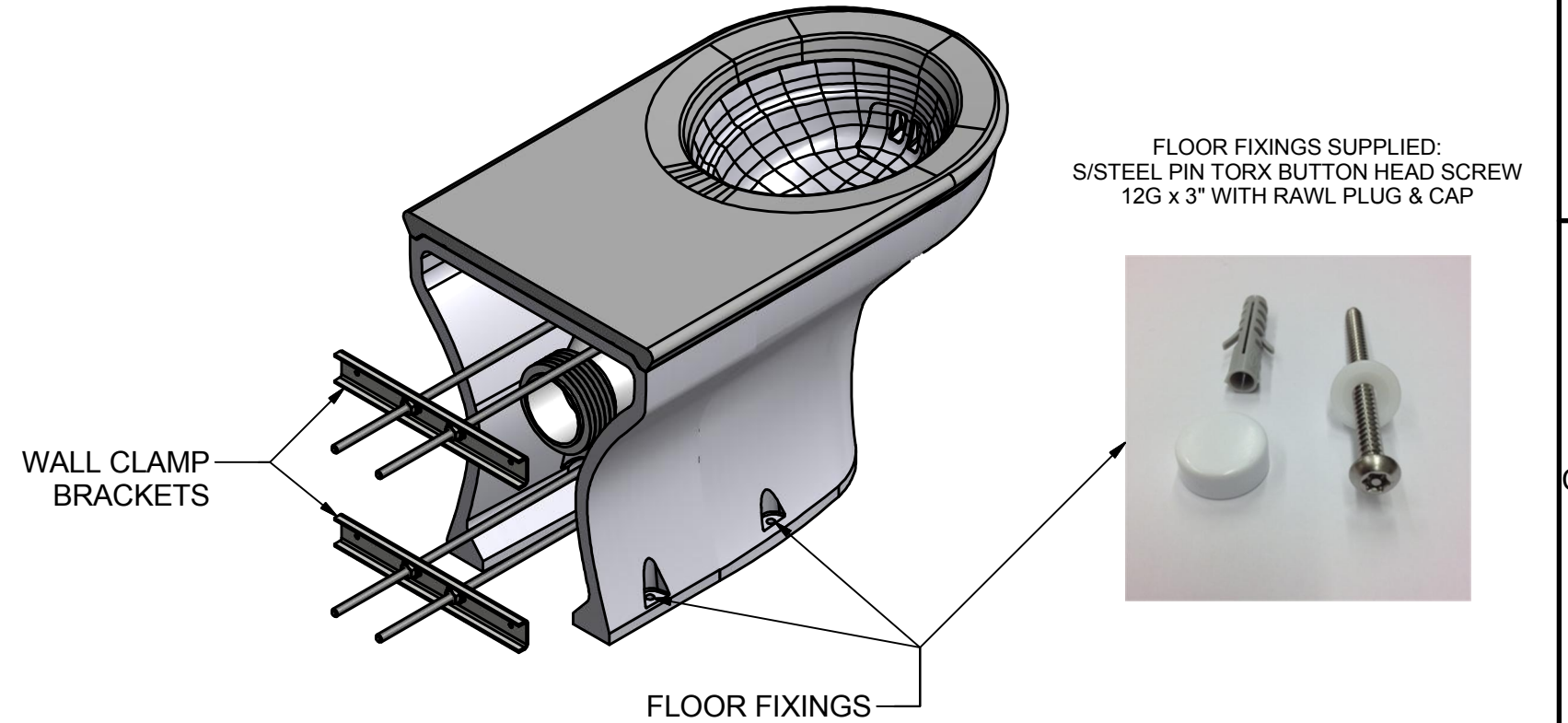
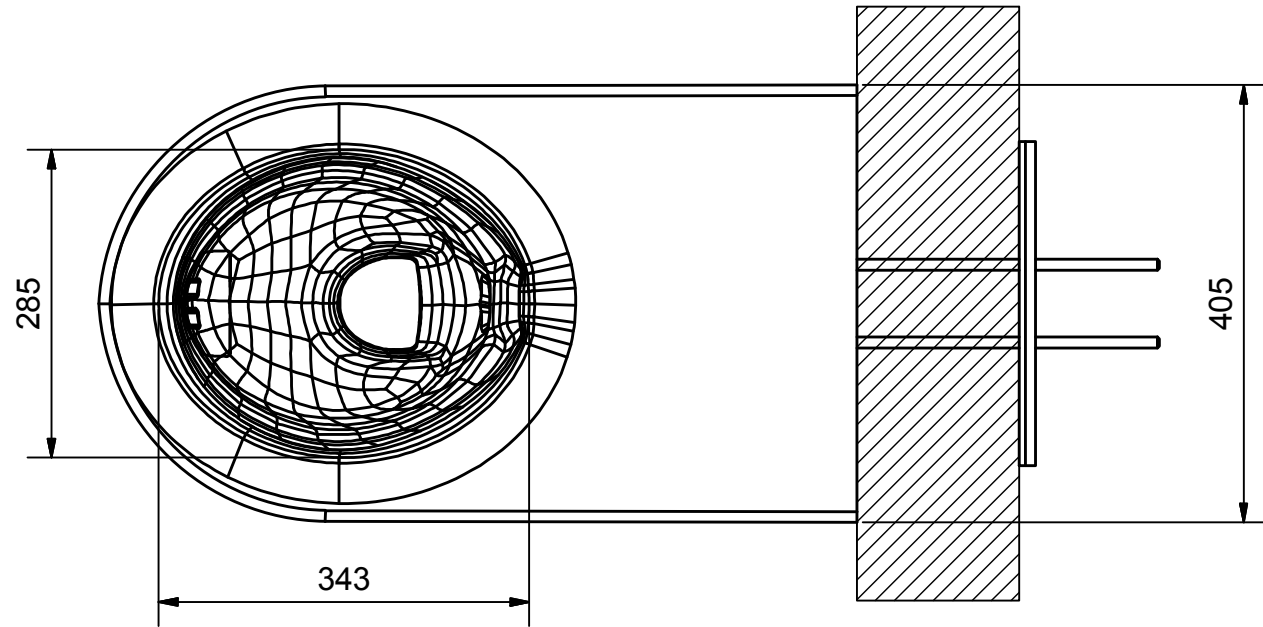


NOTES:

1. M10 THREADED WALL FIXING STUDS, NUTS, WASHERS & CLAMP BRACKETS ARE PROVIDED.
2. FLOOR FIXING POINTS ARE PROVIDED ON EACH SIDE OF THE PAN FOOT, FIXINGS AS SHOWN ARE SUPPLIED.
3. SEE SHEET 2 FOR WASTE CONNECTION OPTIONS.

REVISION HISTORY				
REV	DATE	DESCRIPTION	BY	CHKD
1	04/11/2015	CREATED	RD	DB



© 2015 Copyright THIS DRAWING IS THE PROPERTY OF WALLGATE LIMITED AND IS ISSUED ON THE STRICT UNDERSTANDING THAT THE INFORMATION CONTAINED WILL NOT BE REPRODUCED, COPIED OR USED WITHOUT PRIOR AGREEMENT OF WALLGATE LTD.

Wallgate

TITLE: ANTI LIGATURE PAN AND SEAT WITH FIXED EXTENSION
Drg No: CWC-155-AST
 Model/Client/Project: SHEET 1

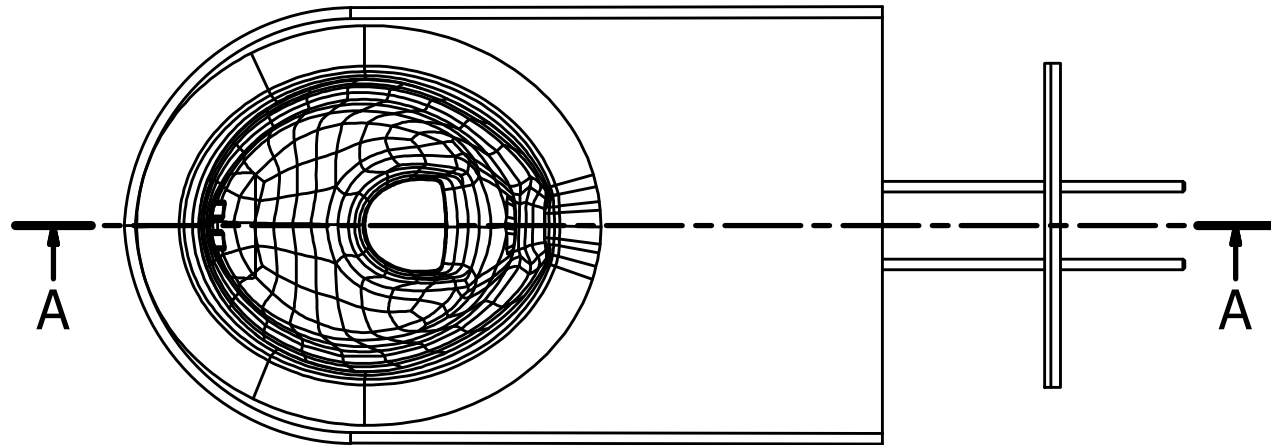
MATERIAL: POLYESTER SOLID SURFACE
FINISH: SATIN POLISH

Limits: (unless stated)
 ± 0.25mm (sheetmetal)
 ± 0.10mm (machined)
 ± 2.00mm (pattern)
 ± 5.00mm (moulded)
 All dimensions in mm,
 All angles 90° (unless stated)
Scale: NTS
A3 3rd

REVISION HISTORY				
REV	DATE	DESCRIPTION	BY	CHKD
1	04/11/2015	CREATED	RD	DB

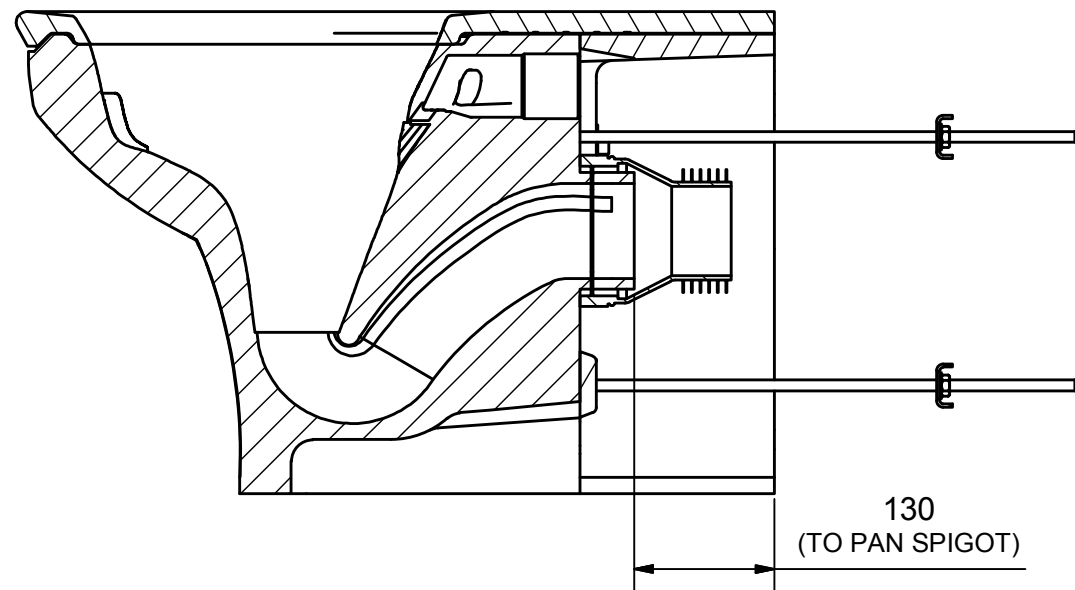
NOTES:

1. THE UPPER REAR FIXINGS & FOUR FLOOR FIXINGS WOULD BE USED WHEN A 90° WC CONNECTOR IS FITTED.
2. THE 90° WC CONNECTOR DIMENSIONS ARE BASED UPON A McALPINE WC-CON8 PRODUCT. A STRAIGHT WC CONNECTOR OPTION WOULD BE McALPINE WC-CON1.

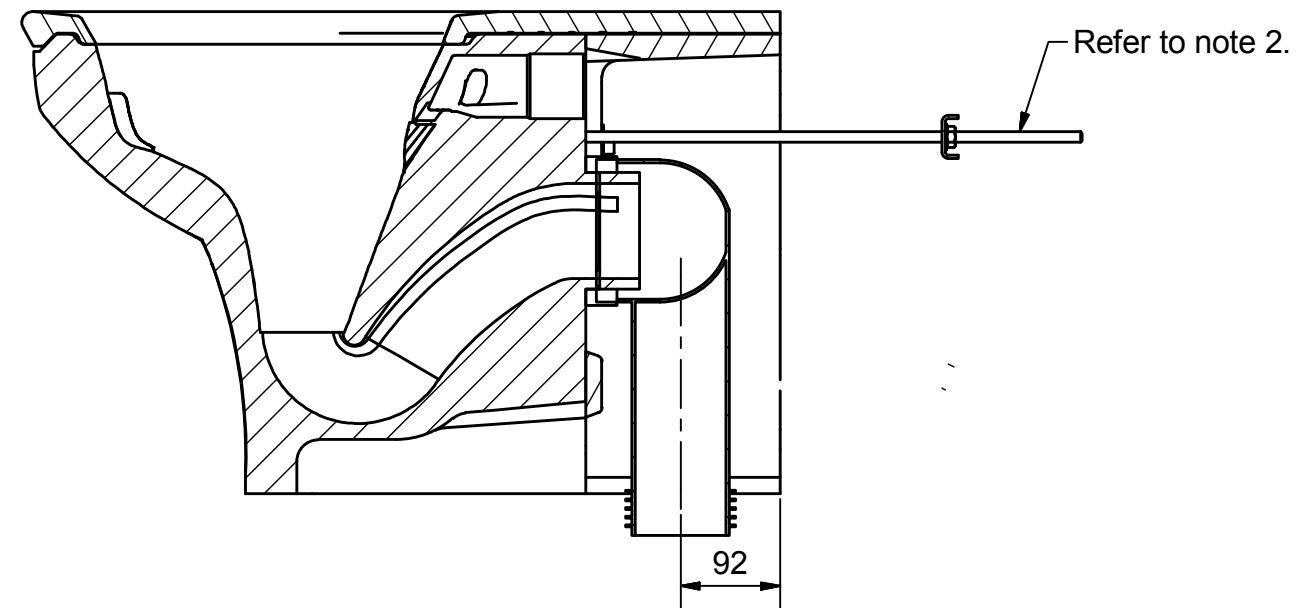


WC PAN CONNECTORS FOR WASTE ARE NOT INCLUDED, SHOWN FOR ILLUSTRATIVE PURPOSES ONLY.

A-A STRAIGHT WC CONNECTOR



A-A 90° WC CONECTOR



© 2015 Copyright THIS DRAWING IS THE PROPERTY OF WALLGATE LIMITED AND IS ISSUED ON THE STRICT UNDERSTANDING THAT THE INFORMATION CONTAINED WILL NOT BE REPRODUCED, COPIED OR USED WITHOUT PRIOR AGREEMENT OF WALLGATE LTD.

Wallgate

TITLE: WASTE CONNECTOR OPTIONS
 Drg No: CWC-155-AST
 Model/Client/Project: SHEET 2

MATERIAL: POLYESTER SOLID SURFACE
 FINISH: SATIN POLISH

Limits: (unless stated)
 ± 0.25mm (sheetmetal)
 ± 0.10mm (machined)
 ± 2.00mm (pattern)
 ± 5.00mm (moulded)

All dimensions in mm,
 All angles 90° (unless stated)
Scale: NTS
A3 3rd