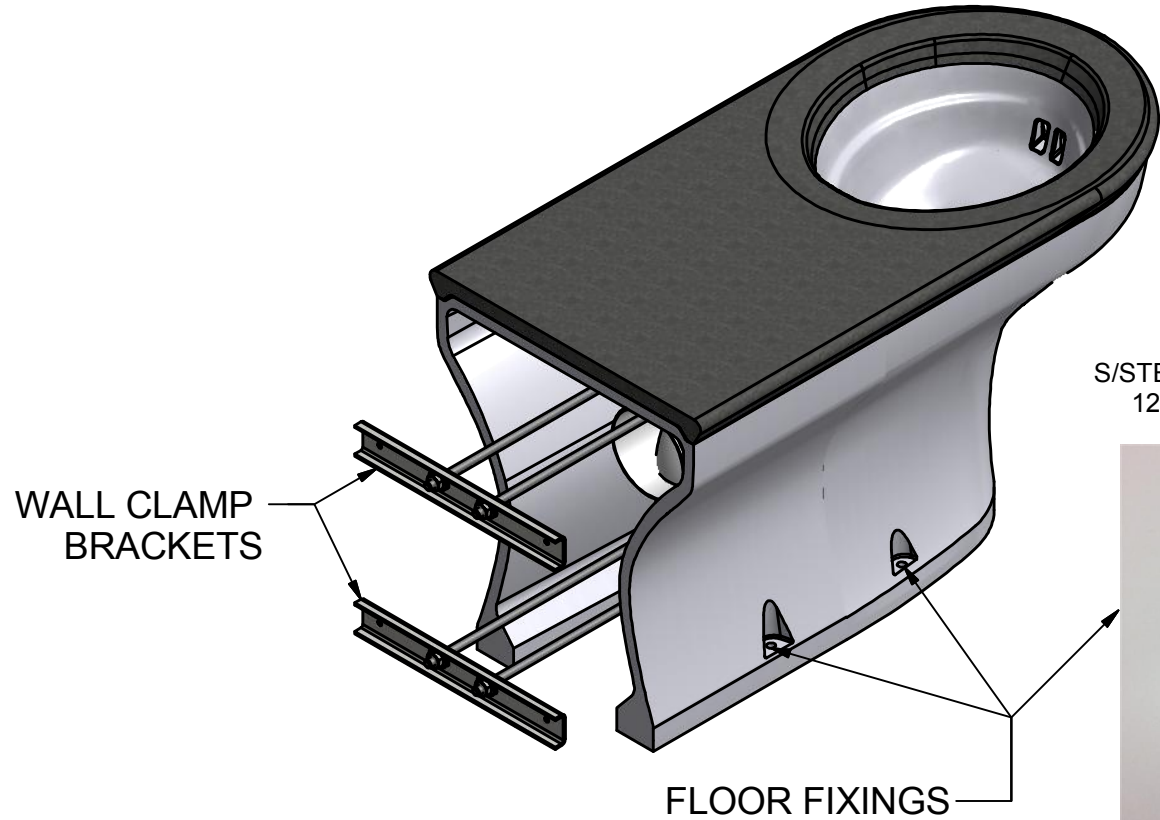
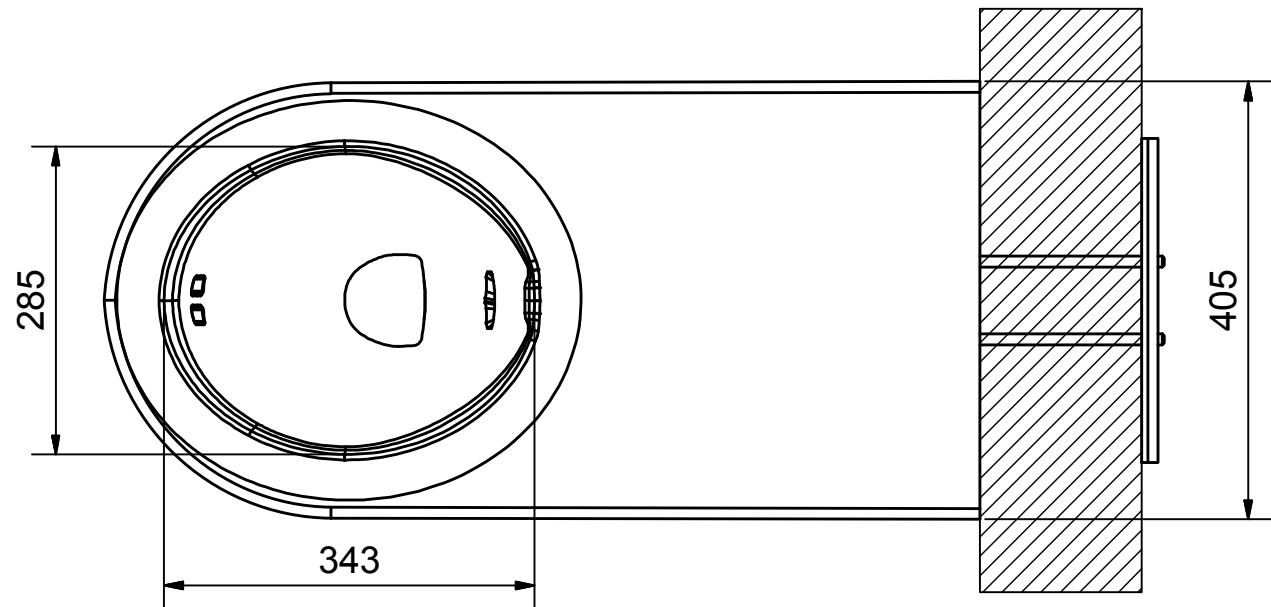


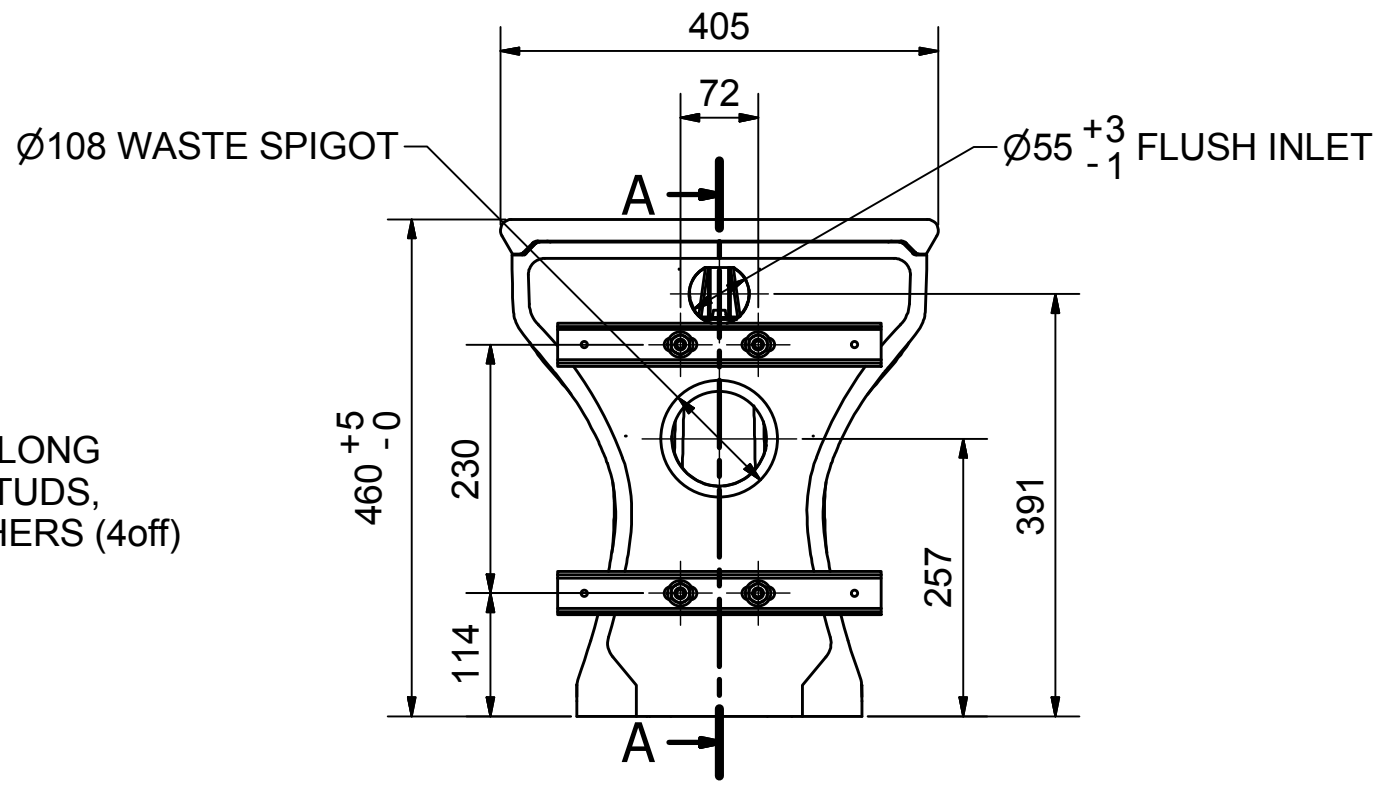
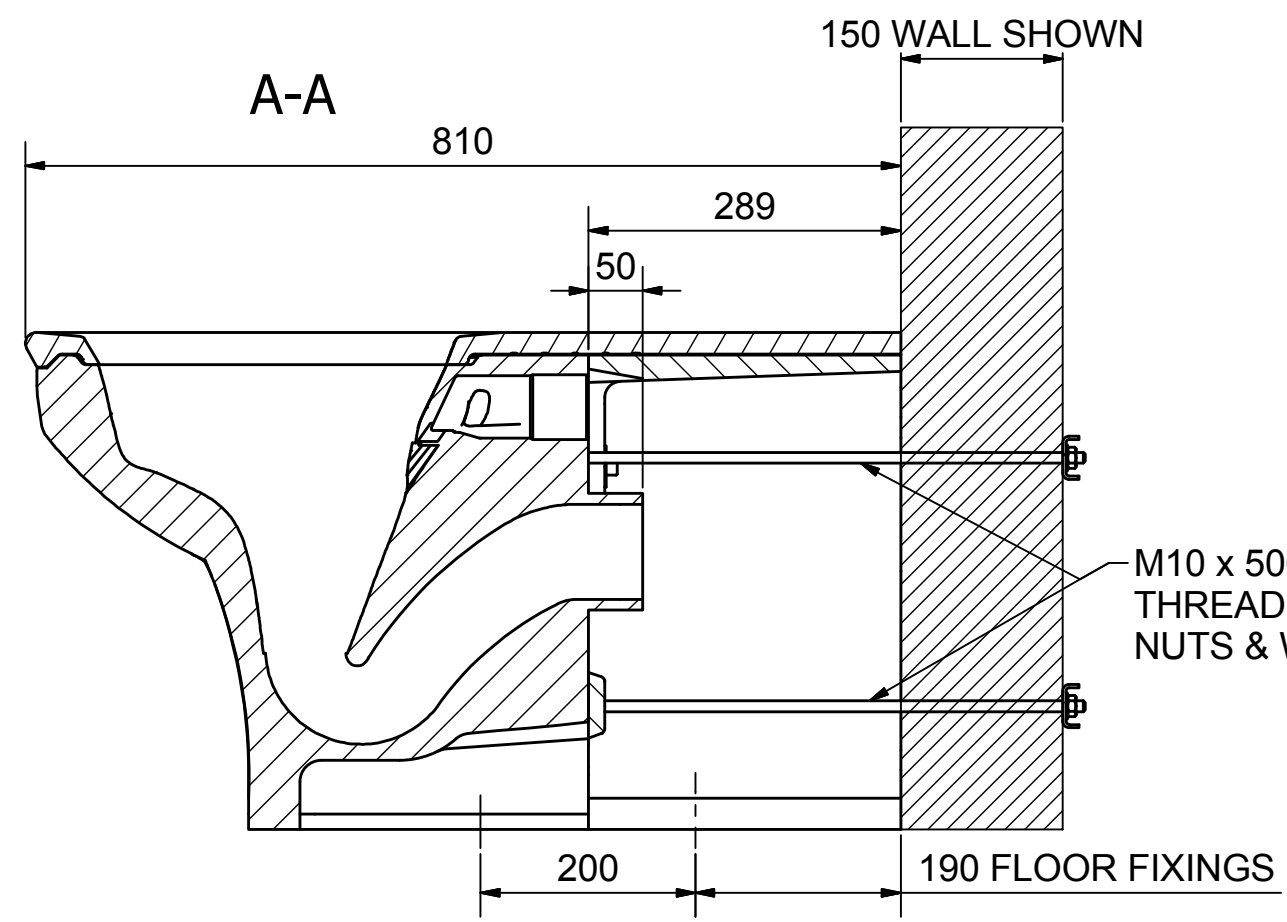
NOTES:

1. M10 THREADED WALL FIXING STUDS, NUTS, WASHERS & CLAMP BRACKETS ARE PROVIDED.
2. FLOOR FIXING POINTS ARE PROVIDED ON EACH SIDE OF THE PAN FOOT, FIXINGS AS SHOWN ARE SUPPLIED.
3. SEE SHEET 2 FOR WASTE CONNECTION OPTIONS.

REVISION HISTORY				
REV	DATE	DESCRIPTION	BY	CHKD
1	22/09/2015	CREATED	RD	DB



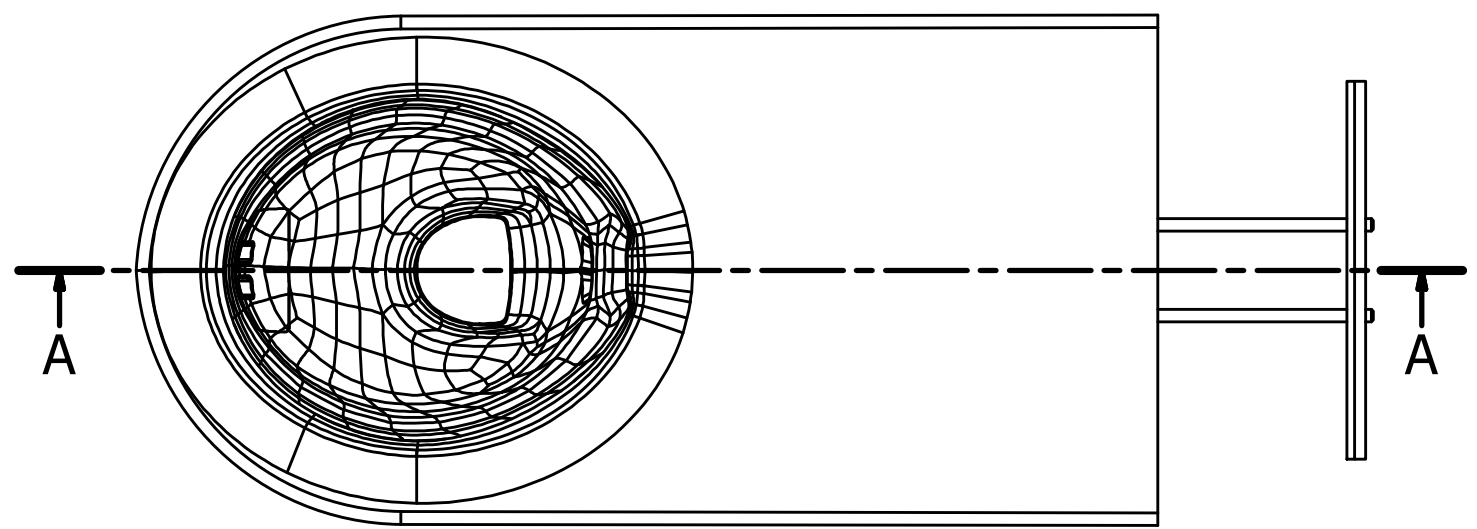
FLOOR FIXINGS SUPPLIED:
S/STEEL PIN TORX BUTTON HD SCREW
12G x 3" WITH RAWL PLUG & CAP



© 2015 Copyright THIS DRAWING IS THE PROPERTY OF WALLGATE LIMITED AND IS ISSUED ON THE STRICT UNDERSTANDING THAT THE INFORMATION CONTAINED WILL NOT BE REPRODUCED, COPIED OR USED WITHOUT PRIOR AGREEMENT OF WALLGATE LTD.

	TITLE: ANTI LIGATURE PAN AND SEAT WITH FIXED EXTENSION Drg No: CWC-155AST-BCA <small>Model/Client/Project: SHEET 1</small>	MATERIAL: POLYESTER SOLID SURFACE FINISH: SATIN POLISH	Limits: (unless stated) ± 0.25mm (sheetmetal) ± 0.10mm (machined) ± 2.00mm (pattern) ± 5.00mm (moulded)	All dimensions in mm, All angles 90° (unless stated) Scale: NTS A3 3rd
--	--	---	---	---

REVISION HISTORY				
REV	DATE	DESCRIPTION	BY	CHKD
1	22/09/2015	CREATED	RD	DB

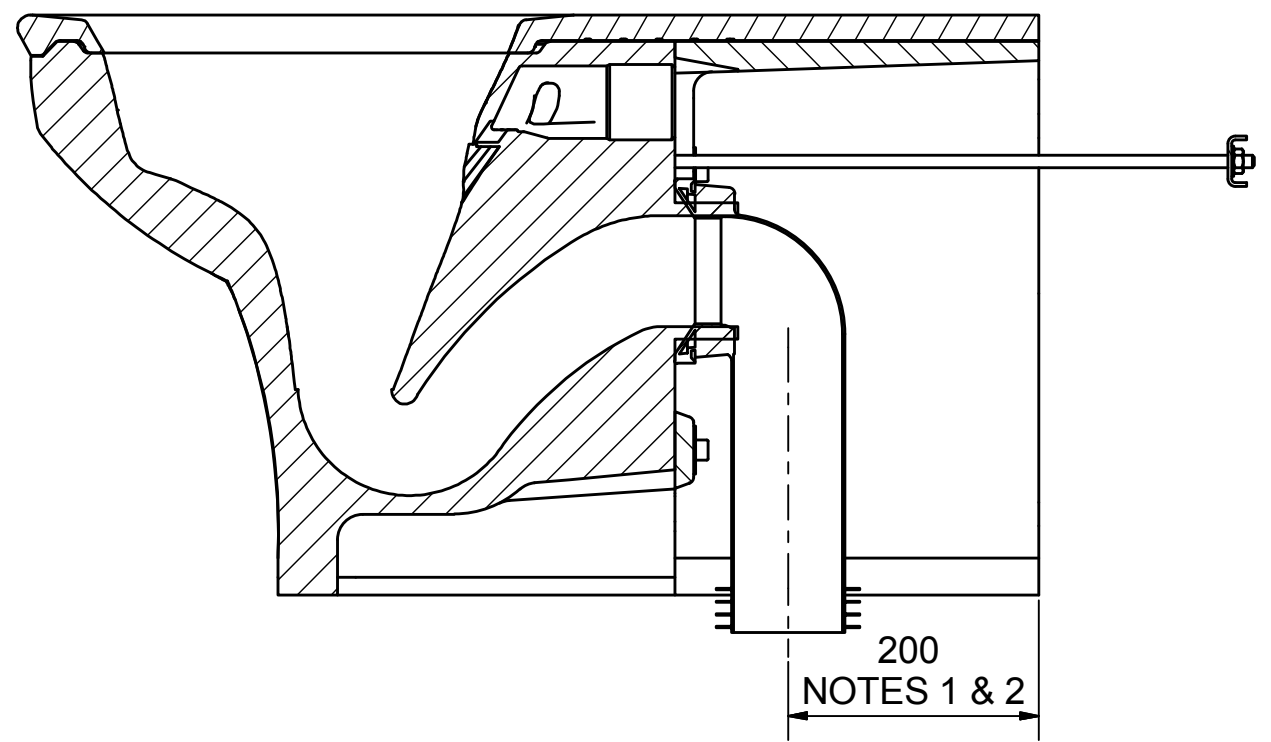
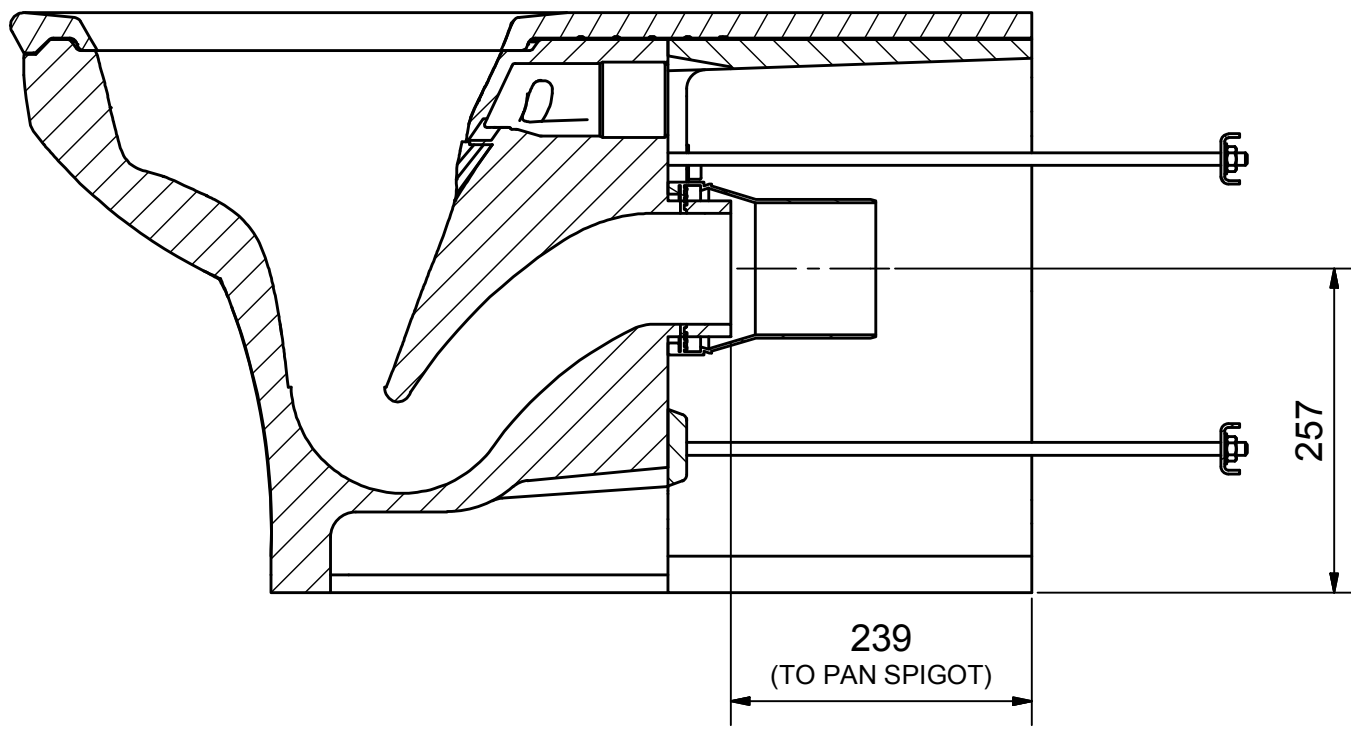


NOTES:
 1. THE UPPER REAR FIXINGS & FOUR FLOOR FIXINGS WOULD BE USED WHEN A 90° WC CONNECTOR IS FITTED.
 2. THE 90° WC CONNECTOR DIMENSIONS ARE BASED UPON PLASTEC 11510 PRODUCT. A STRAIGHT WC CONNECTOR OPTION WOULD BE PLASTEC 11405.

WC PAN CONNECTORS FOR WASTE ARE NOT INCLUDED, SHOWN FOR ILLUSTRATIVE PURPOSES ONLY.

A-A STRAIGHT WC CONNECTOR

A-A 90° WC CONNECTOR



© 2015 Copyright THIS DRAWING IS THE PROPERTY OF WALLGATE LIMITED AND IS ISSUED ON THE STRICT UNDERSTANDING THAT THE INFORMATION CONTAINED WILL NOT BE REPRODUCED, COPIED OR USED WITHOUT PRIOR AGREEMENT OF WALLGATE LTD.

Wallgate	TITLE: WASTE CONNECTOR OPTIONS	MATERIAL: POLYESTER SOLID SURFACE	Limits: (unless stated) ± 0.25mm (sheetmetal) ± 0.10mm (machined) ± 2.00mm (pattern) ± 5.00mm (moulded)	All dimensions in mm, All angles 90° (unless stated)
	Drg No: CWC-155AST-BCA Model/Client/Project: SHEET 2	FINISH: SATIN POLISH	Scale: NTS	A3 3rd