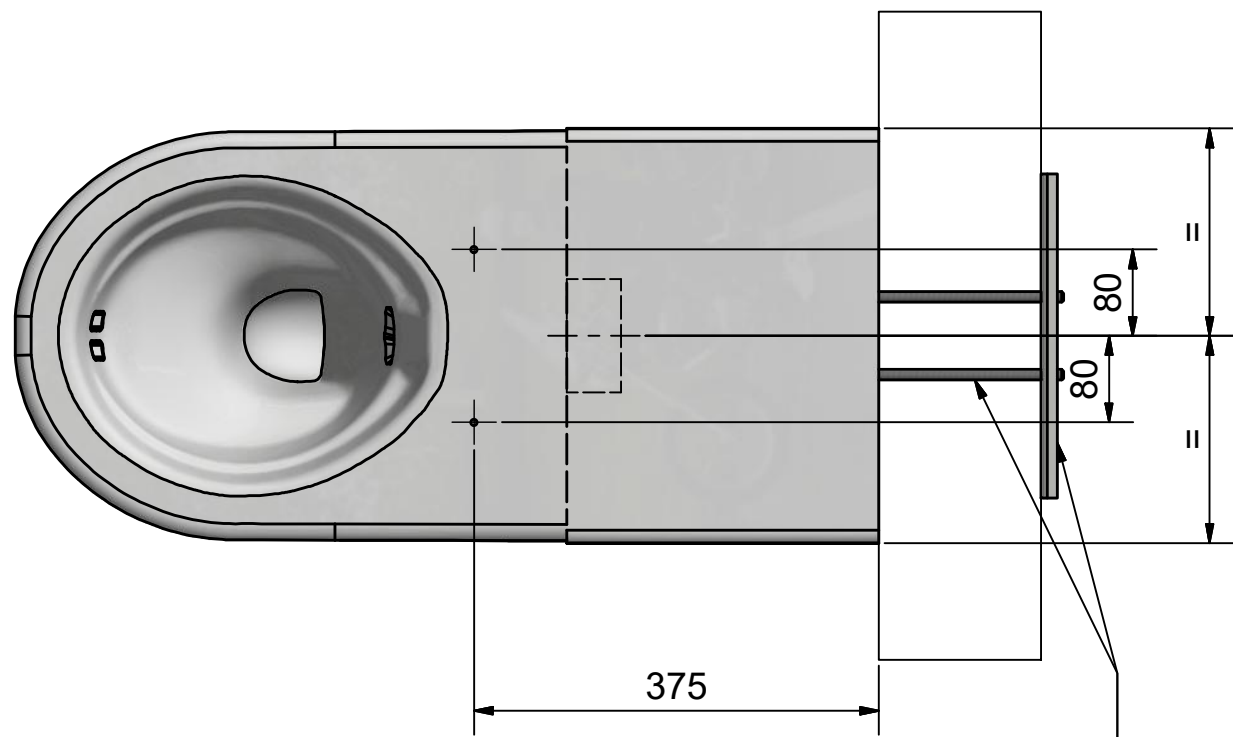


REVISION HISTORY

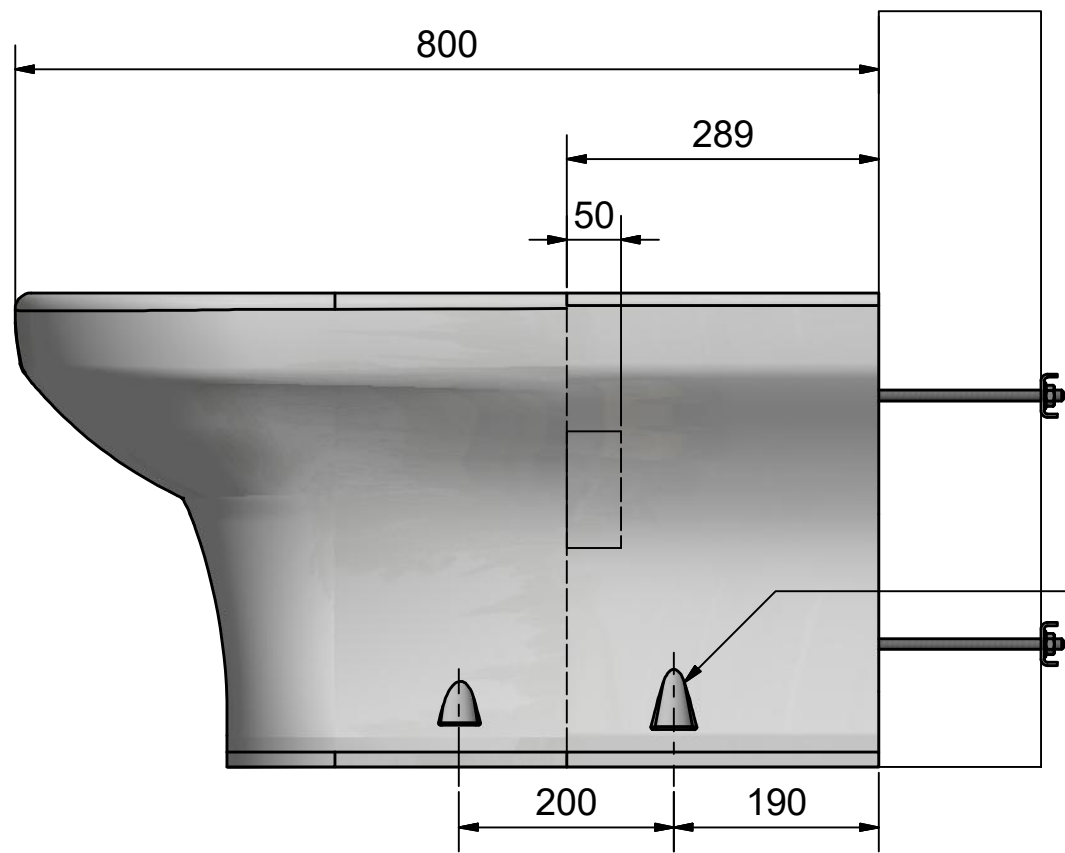
REV	DATE	DESCRIPTION	BY	CHKD
2	02/08/2016	LAYOUT UPDATED	RD	DB

NOTES:

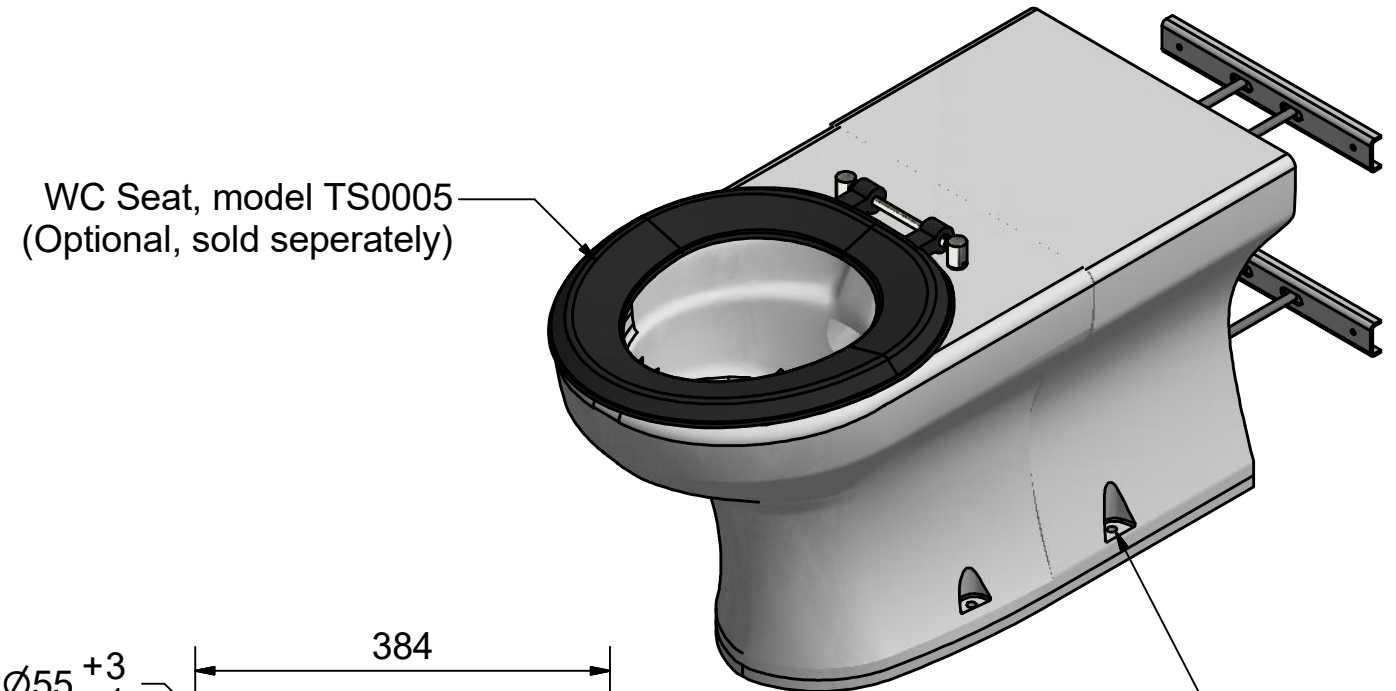
1. PRODUCT WEIGHT 70kg
2. RECOMMENDED TORQUE 13Nm FOR TIGHTENING WALL FIXINGS.
3. A SUITABLE WASTE CONNECTOR IS REQUIRED TO FIT THE $\phi 105\text{mm}$ PAN SPIGOT. THE WASTE CONNECTOR MUST HAVE A MAXIMUM OUTSIDE DIAMETER OF 135mm TO FIT WITHIN THE SHROUD.
4. THE WC MUST BE SECURELY FIXED TO THE FLOOR USING THE SUPPLIED SECURITY FIXINGS AND / OR WITH STRUCTURAL ADHESIVE, OR BY OTHER APPROVED MEANS SUCH AS SITTING THE WC PAN ON A BED OF A CEMENT BASE



(A) Wall fixings M10 X 500mm (4off) & clamp brackets (2off)

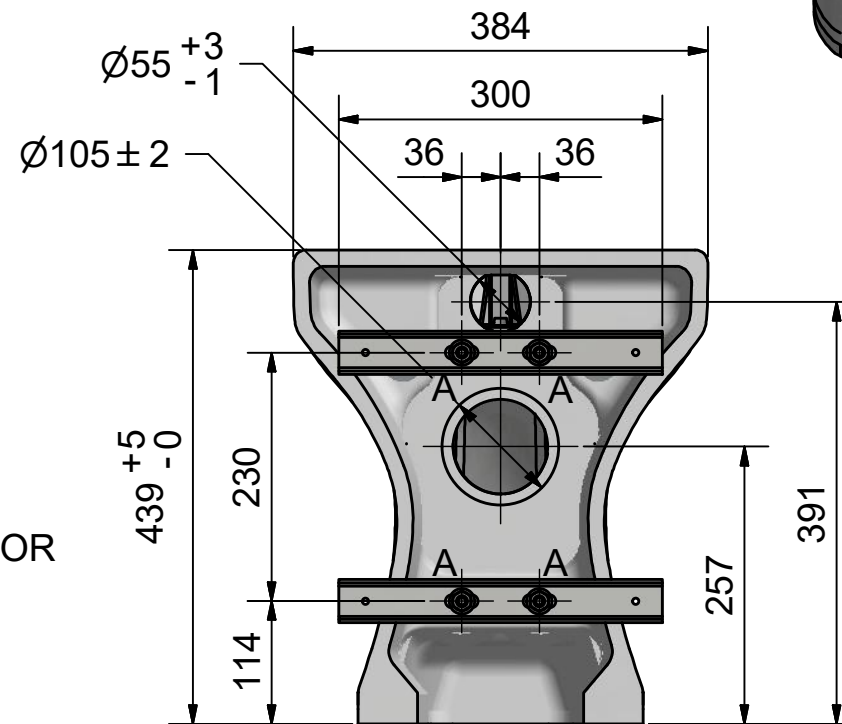


OPTIONAL FLOOR FIXINGS



WC Seat, model TS0005 (Optional, sold separately)

FLOOR FIXINGS



ALL VERTICAL DIMENSIONS ARE TAKEN FROM THE FOOT OF THE WC PAN



© 2016 Copyright THIS DRAWING IS THE PROPERTY OF WALLGATE LIMITED AND IS ISSUED ON THE STRICT UNDERSTANDING THAT THE INFORMATION CONTAINED WILL NOT BE REPRODUCED, COPIED OR USED WITHOUT PRIOR AGREEMENT OF WALLGATE LTD.



TITLE: ANTI LIGATURE WC PAN WITH FIXED EXTENSION & SEAT FIXINGS
Drg No: CWC-155-SF-BCA
 Model/Client/Project: SHEET 1 OF 2

MATERIAL: POLYESTER SOLID SURFACE
FINISH: SILK - GLOSS POLISH

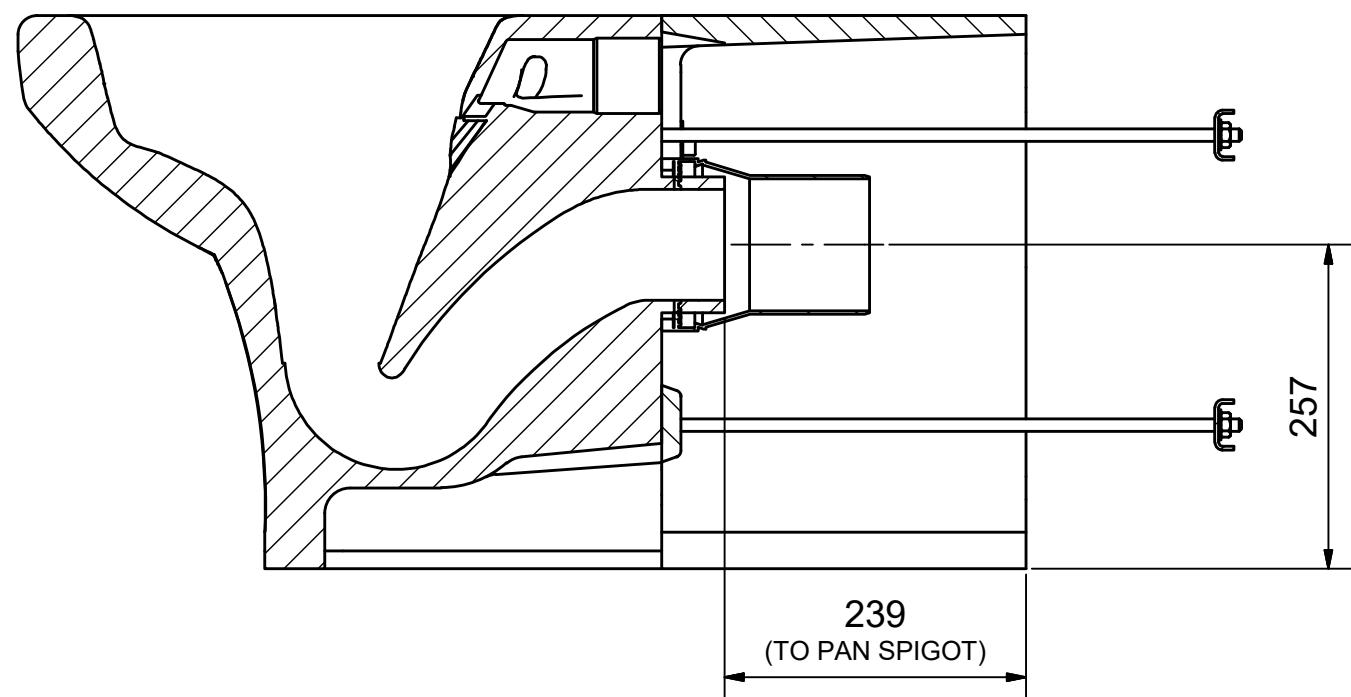
Limits: (unless stated)
 ± 0.25mm (sheetmetal)
 ± 0.10mm (machined)
 ± 2.00mm (pattern)
 ± 5.00mm (moulded)
 All dimensions in mm, All angles 90° (unless stated)
Scale: NTS
A3 3rd

REVISION HISTORY				
REV	DATE	DESCRIPTION	BY	CHKD
2	02/08/2016	LAYOUT UPDATED	RD	DB

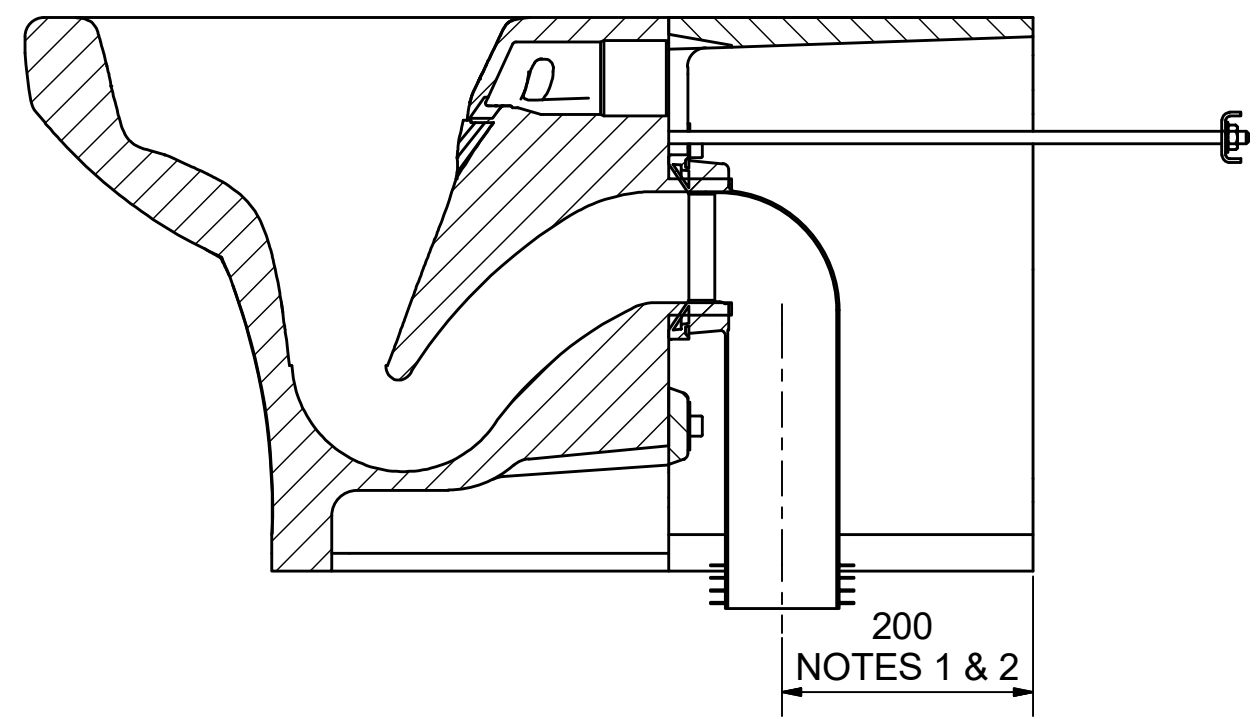
- NOTES:
1. THE UPPER REAR FIXINGS & FOUR FLOOR FIXINGS SHOULD BE USED WHEN A 90° WC CONNECTOR IS FITTED.
 2. THE WC CONNECTOR DIMENSIONS ARE BASED ON THE FOLLOWING:
 PLASTEC 90° ELBOW TYPE - P/No 11510
 PLASTEC STRAIGHT TYPE - P/No 11405

WC PAN CONNECTORS FOR WASTE ARE NOT INCLUDED, SHOWN FOR ILLUSTRATIVE PURPOSES ONLY.

A-A STRAIGHT WC CONNECTOR



A-A 90° WC CONNECTOR



© 2016 Copyright THIS DRAWING IS THE PROPERTY OF WALLGATE LIMITED AND IS ISSUED ON THE STRICT UNDERSTANDING THAT THE INFORMATION CONTAINED WILL NOT BE REPRODUCED, COPIED OR USED WITHOUT PRIOR AGREEMENT OF WALLGATE LTD.

	TITLE: ANTI LIGATURE WC PAN WITH FIXED EXTENSION & SEAT FIXINGS Drg No: CWC-155-SF-BCA <small>Model/Client/Project: SHEET 2 OF 2</small>	MATERIAL: POLYESTER SOLID SURFACE FINISH: SILK - GLOSS POLISH	<small>Limits: (unless stated)</small> ± 0.25mm (sheetmetal) ± 0.10mm (machined) ± 2.00mm (pattern) ± 5.00mm (moulded)	<small>All dimensions in mm, All angles 90° (unless stated)</small> Scale: NTS A3
	3rd			