



redemperor[®]
fire + civil + plumbing

Round Vertical Drain Combination

Standard

Specification Data Sheet



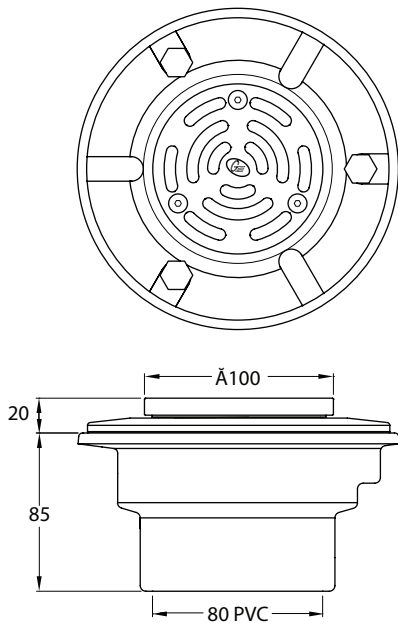
DV3S04RX

Vertical Floor Drain Combo - Cast Iron 80PVC
Standard Body and Stainless Steel Round
Grate 100mm

Specifications

Cast stainless steel round floor drain assembly, threaded BSP, with stainless steel lock down allen key screws, machined/finished surface, load rated to Class B for 100mm opening and Class C for 150mm and above, with grey enamel coated cast iron vertical standard body with reversible membrane collar, weep holes and stainless steel lock down bolts.

Typical Dimensions



Features

- Complies with AS/NZS 4994:1998 Discharge of commercial and industrial waste water to sewer
- Complies with AS 3996 to Class B for 100mm opening
- Stainless steel round grate
- Cast iron as per BS1452/Grade 180 and AS 1850/T80
- Ideal for commercial kitchens, car parks, shopping centres and schools

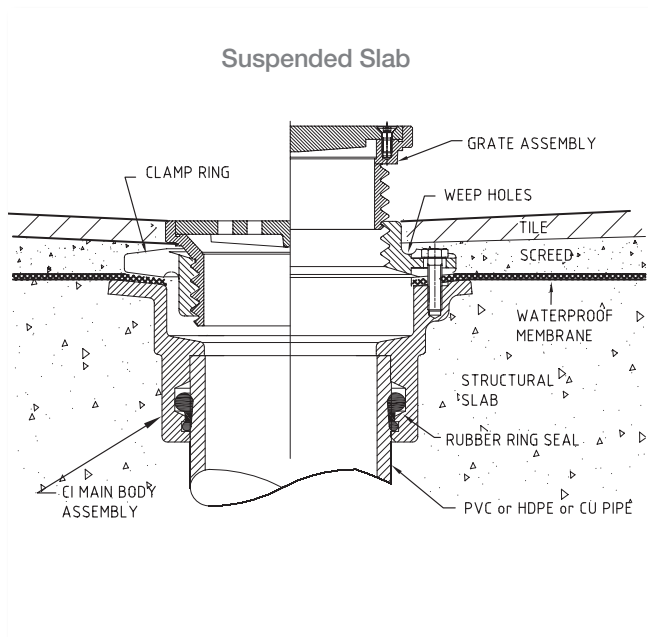
Flow Rate Guide (litres/second):

Grate Size	Pressure head mm of water		
	20mm	30mm	40mm
100	0.9	1.2	1.5



A family
owned
Australian
business

Typical Installation



Maintenance & Cleaning

Red Emperor products should be cleaned with a soft damp cloth using only mild liquid detergent or soap and water. Do not use cleaning agents containing a corrosive acid, scouring agent or solvents. Do not use cream cleaners, as they are abrasive. Use of unsuitable cleaning agents may damage the surface. Any damage caused in this way will not be covered by warranty.

Regular maintenance should be carried out in accordance with installation and troubleshooting guides provided with the product, the relevant Australian Standards, local authorities and state codes.

Tea staining is an installation and maintenance issue. To reduce the risk of tea staining, products should be regularly cleaned. In certain environments corrosion reducers/inhibitors may need to be regularly applied, and consideration should be given to the use of electropolishing or other surface coatings.

Note: It is recommended higher grades of stainless steel be specified for corrosive or coastal areas.

Warranty

Red Emperor products are covered under our Manufacturer's Warranty at www.galvinengineering.com.au. Red Emperor products must be installed in accordance with the installation instructions and in accordance with AS3500, PCA, relevant Australian Standards and local authorities applicable to product being installed. Water and electrical supply conditions must also comply to the applicable national and/or state standards, failing to comply with these provisions may void the product warranty and affect performance of the product.

Whilst all reasonable care has been taken in compiling the information in this document, the designs, dimensions and products shown are indicative only and should not be relied upon without our prior approval. Due to our policy of continuous development, we reserve the right to alter any details of specifications or products without notice. All information, drawings, technical specifications and product designs remains the property of Galvin Engineering Pty Ltd.

Within Australia: **1300 514 074** Outside Australia: P: +61 (0)8 9338 2344
 F: +61 (0)8 9338 2340
sales@galvinengineering.com.au
www.galvinengineering.com.au

ABN: 78 008 719 382

PERTH | SYDNEY | MELBOURNE | BRISBANE | ADELAIDE

GalvinEngineering 
the mark of reliability