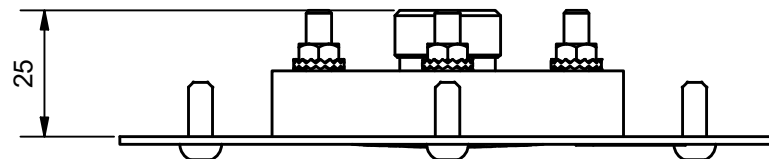
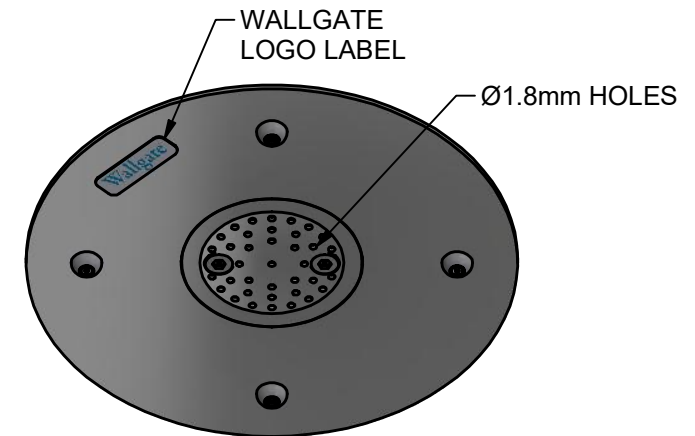
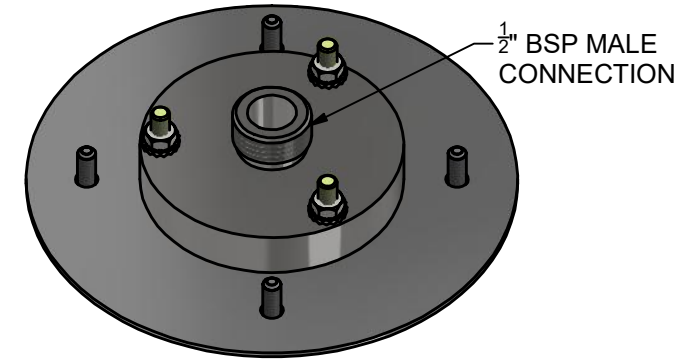
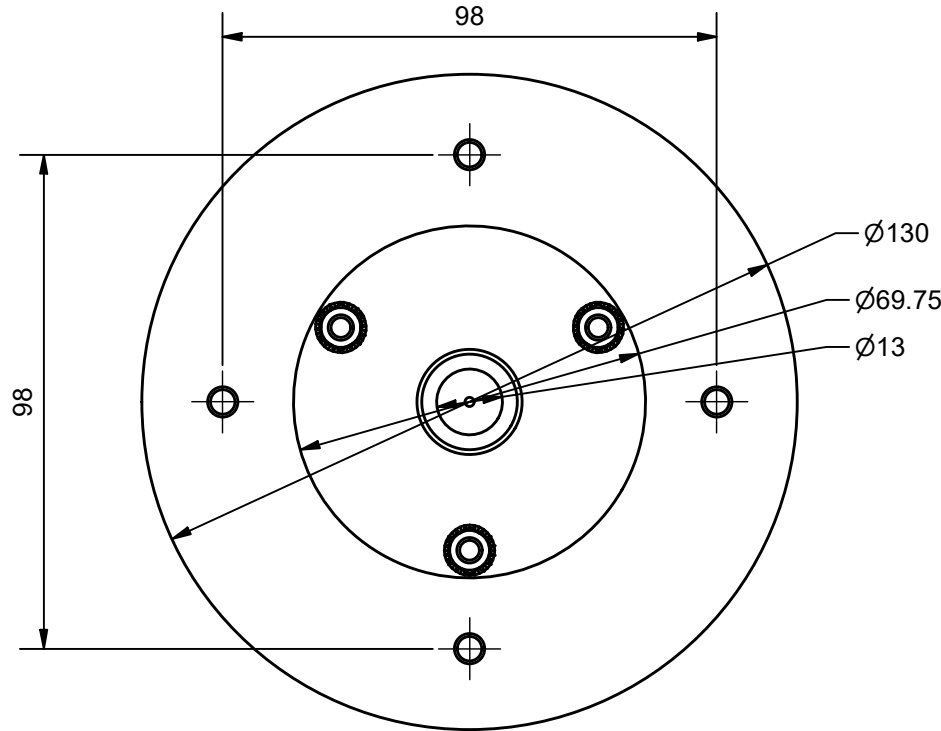


NOTES

1. FOUR FIXING SCREWS ARE PROVIDED (ITEM 3, SHEET 2) FOR USE WHEN FITTING NOZZLE TO A RECESSED MOUNTING BOX P/NO MA1972 OR CEILING CLAMP PLATE P/NO MA3171 (M5 X 10mm) TORX PIN SECURITY BUTTON HEAD.
2. MAXIMUM WORKING TEMPERATURE: 85°C.
3. MAXIMUM WORKING PRESSURE: 5 BAR (DYNAMIC).

REVISION HISTORY				
REV	DATE	DESCRIPTION	BY	CHKD
5	18/03/2021	ECN2021-0179	AG	RD



© 2021 Copyright THIS DRAWING IS THE PROPERTY OF WALLGATE LIMITED AND IS ISSUED ON THE STRICT UNDERSTANDING THAT THE INFORMATION CONTAINED WILL NOT BE REPRODUCED, COPIED OR USED WITHOUT PRIOR AGREEMENT OF WALLGATE LTD.



TITLE: CEILING MOUNT SHOWER NOZZLE
Drg No: SNC-02
 Model/Client/Project: SHEET 1 OF 3

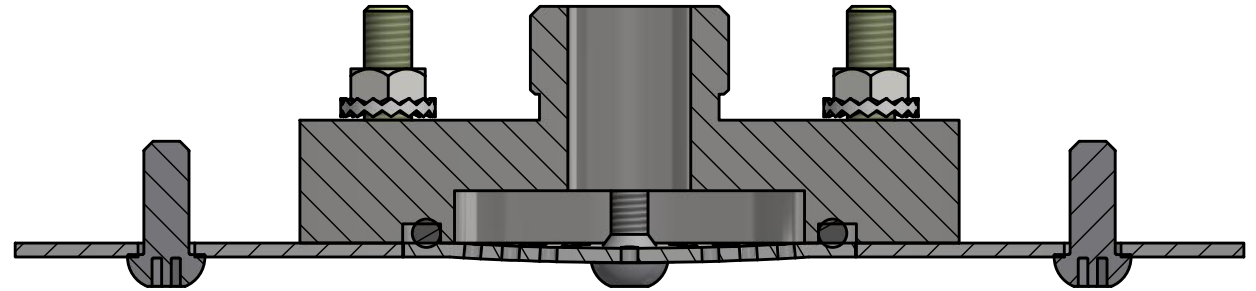
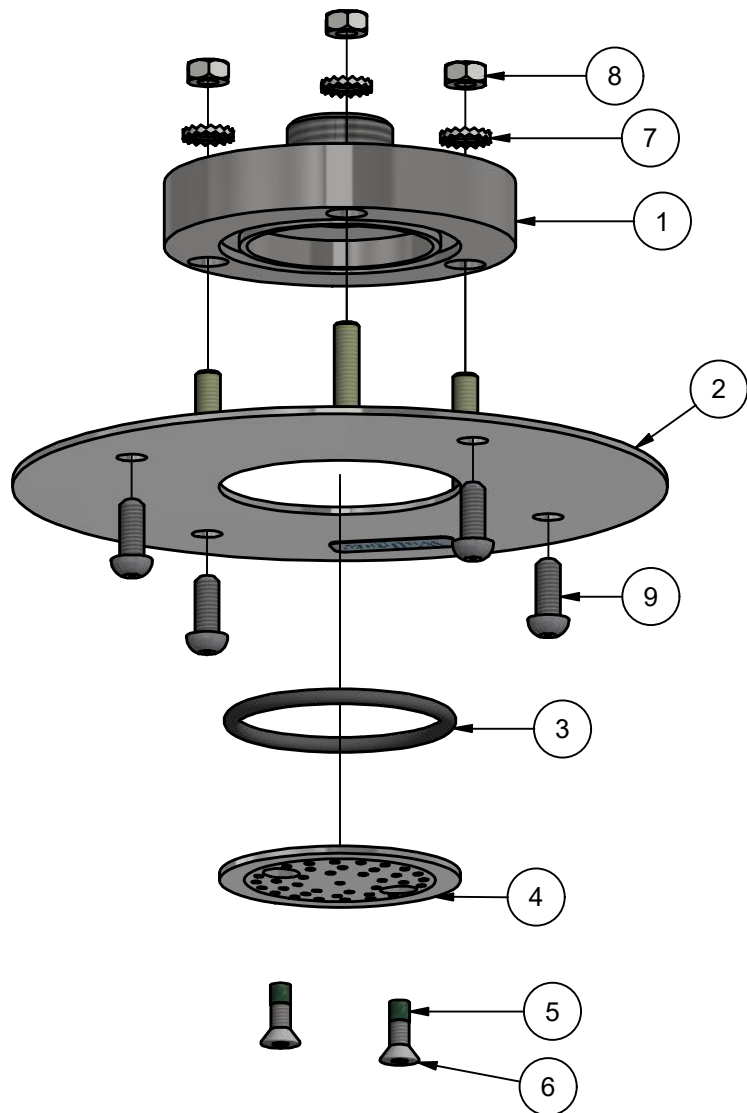
MATERIAL: STAINLESS STEEL, GRADE 304
FINISH: SUPER SILK BRUSHED

Limits: (unless stated)
 ± 0.25mm (sheetmetal)
 ± 0.10mm (machined)
 ± 2.00mm (pattern)
 ± 5.00mm (moulded)

All dimensions in mm,
 All angles 90° (unless stated)
SCALE: NTS
A4 **3rd**

REVISION HISTORY

REV	DATE	DESCRIPTION	BY	CHKD
5	18/03/2021	ECN2021-0179	AG	RD



PARTS LIST

ITEM	QTY	PART NUMBER	DESCRIPTION
1	1	WF4141-1	SHOWER HEAD HOUSING
2	1	MA2209-3	OUTER SHOWER PLATE
3	1	RW9597	SHOWER PLATE O-RING
4	1	MA2209-1	INTERNAL SHOWER PLATE
5	2		LOCTITE 2700
6	2	BD4312	M4 CNSK SECURITY SCREWS
7	3	SW9003	M5 SHAKEPROOF EXT WASHERS
8	3	ND5200	M5 FULL NUT
9	4	BD5710	M5x10mm SECURITY HEAD SCREW

© 2021 Copyright THIS DRAWING IS THE PROPERTY OF WALLGATE LIMITED AND IS ISSUED ON THE STRICT UNDERSTANDING THAT THE INFORMATION CONTAINED WILL NOT BE REPRODUCED, COPIED OR USED WITHOUT PRIOR AGREEMENT OF WALLGATE LTD.



TITLE: CEILING MOUNT SHOWER NOZZLE
Drg No: SNC-02
 Model/Client/Project: SHEET 2 OF 3

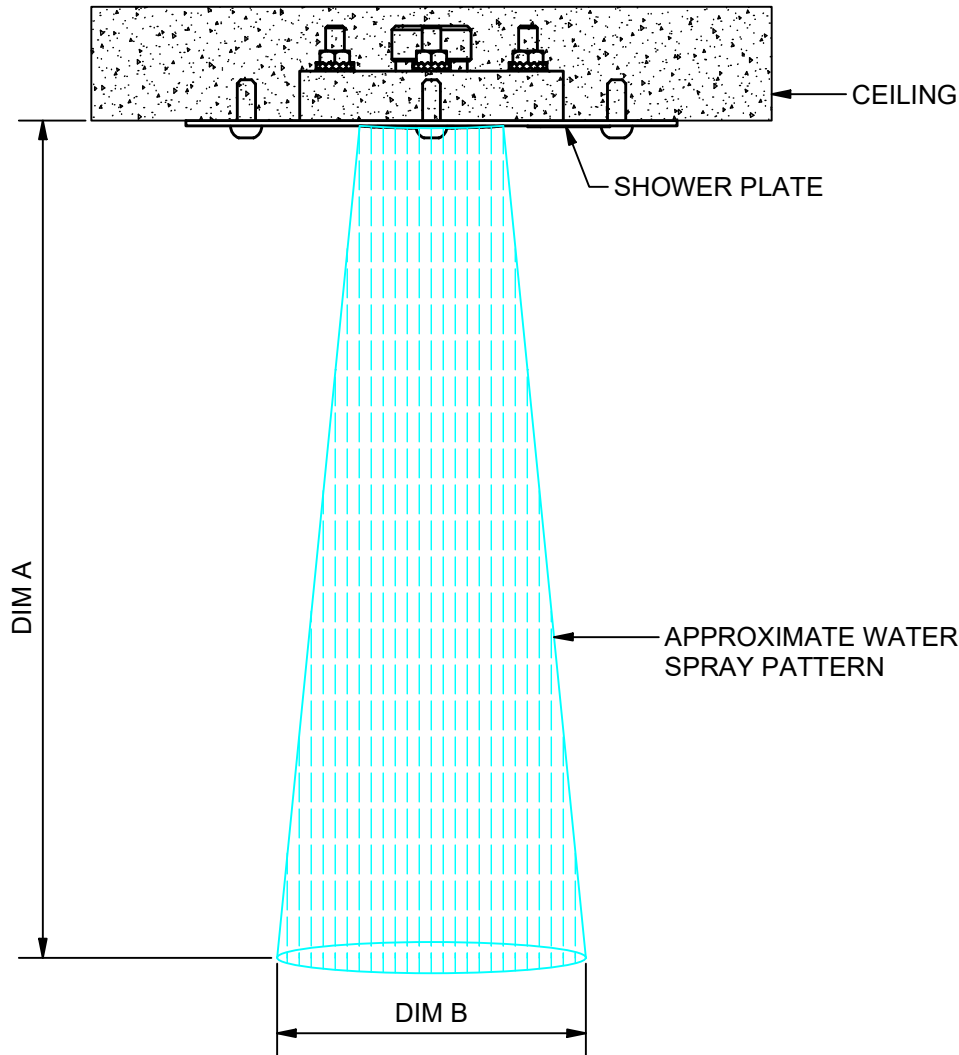
MATERIAL: STAINLESS STEEL, GRADE 304
FINISH: SUPER SILK BRUSHED

Limits: (unless stated)
 ± 0.25mm (sheetmetal)
 ± 0.10mm (machined)
 ± 2.00mm (pattern)
 ± 5.00mm (moulded)

All dimensions in mm,
 All angles 90° (unless stated)
SCALE: NTS
A4 **3rd**

NOTES:

1. THIS DRAWING SHOWS AN APPROXIMATE SPRAY PATTERNS AT DIFFERENT FLOW RATES, 6lpm AND 8lpm. THE SPRAY PATTERN WILL VARY WITH DIFFERING FLOW RATES.
2. WATER VALVE PACKS WITH FLOW REGULATION INCLUDED ARE SOLD SEPERATELY. VISIT WALLGATE SALES FOR MORE INFO.



REVISION HISTORY

REV	DATE	DESCRIPTION	BY	CHKD
5	18/03/2021	ECN2021-0179	AG	RD

FLOW PATTERN

Dynamic Pressure	Flow Regulator	Dim A	Dim B
2.5 Bar	6 lpm	0.7m	ø200mm
2.5 Bar	6 lpm	1.5m	ø240mm
2.5 Bar	6 lpm	2.5m	ø360mm
2.5 Bar	6 lpm	3m	ø380mm
2.5 Bar	6 lpm	4m	ø400mm
2.5 Bar	8lpm	0.7m	ø240mm
2.5 Bar	8lpm	1.5m	ø280mm
2.5 Bar	8lpm	2.5m	ø400mm
2.5 Bar	8lpm	3m	ø450mm
2.5 Bar	8lpm	4m	ø490mm

© 2021 Copyright THIS DRAWING IS THE PROPERTY OF WALLGATE LIMITED AND IS ISSUED ON THE STRICT UNDERSTANDING THAT THE INFORMATION CONTAINED WILL NOT BE REPRODUCED, COPIED OR USED WITHOUT PRIOR AGREEMENT OF WALLGATE LTD.



TITLE: CEILING SHOWER SPRAY PATTERN

Drg No: SNC-02

Model/Client/Project: SHEET 3 OF 3

MATERIAL: STAINLESS STEEL, GRADE 304

FINISH: SUPER SILK BRUSHED

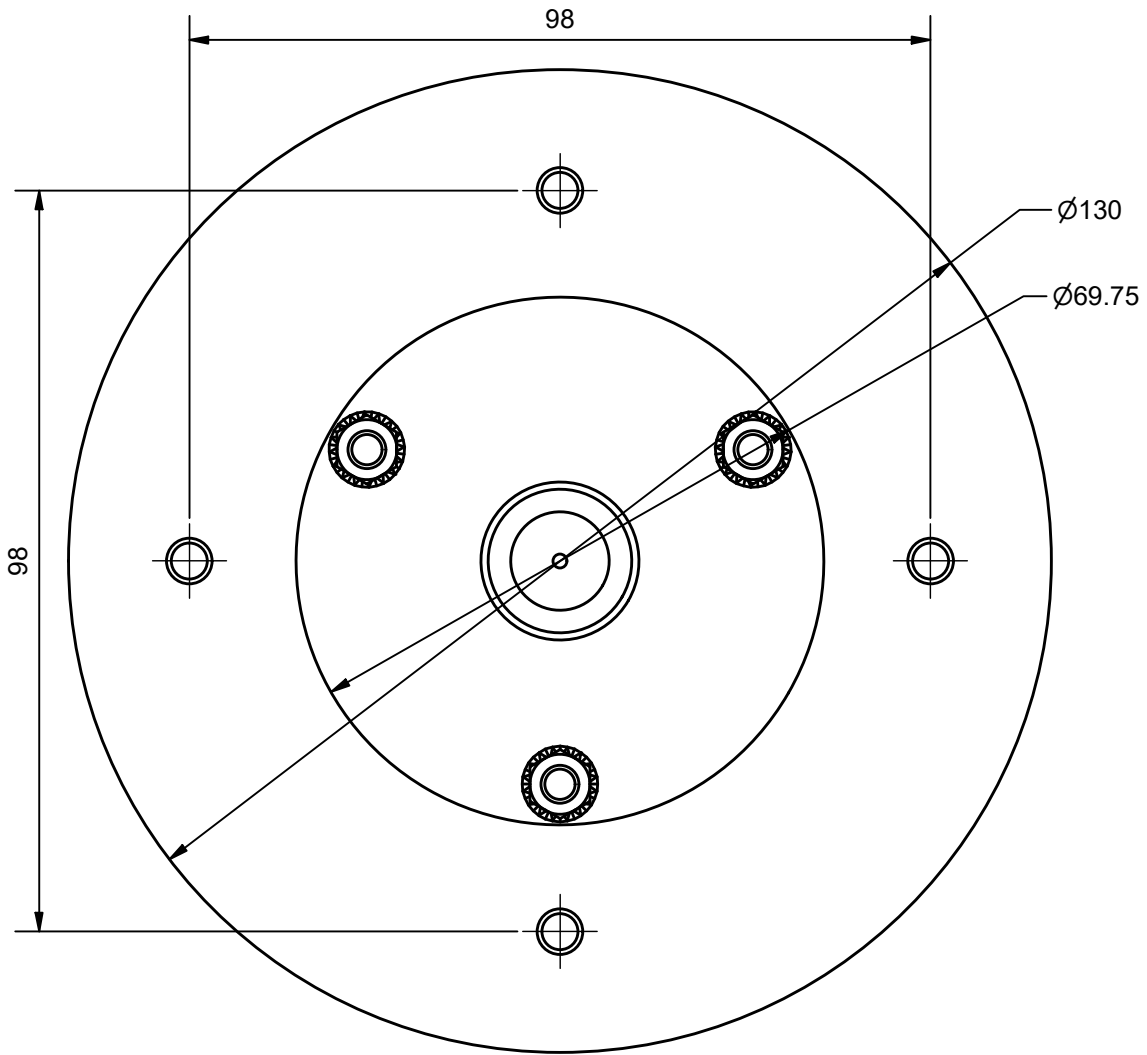
Limits: (unless stated)
 ± 0.25mm (sheetmetal)
 ± 0.10mm (machined)
 ± 2.00mm (pattern)
 ± 5.00mm (moulded)

All dimensions in mm, All angles 90° (unless stated)

SCALE: NTS

A4 **3rd**

REVISION HISTORY				
REV	DATE	DESCRIPTION	BY	CHKD
5	18/03/2021	ECN2021-0179	AG	RD



© 2021 Copyright THIS DRAWING IS THE PROPERTY OF WALLGATE LIMITED AND IS ISSUED ON THE STRICT UNDERSTANDING THAT THE INFORMATION CONTAINED WILL NOT BE REPRODUCED, COPIED OR USED WITHOUT PRIOR AGREEMENT OF WALLGATE LTD.



**TITLE: CEILING SHOWER PLATE
TEMPLATE**
Drg No: SNC-02

Model/Client/Project:

MATERIAL:

FINISH:

Limits: (unless stated)
± 0.25mm (sheetmetal)
± 0.10mm (machined)
± 2.00mm (pattern)
± 5.00mm (moulded)

All dimensions in mm,
All angles 90° (unless stated)

SCALE: 1:1

A4 **3rd**