

# CliniLever® CP-BS Hospital Pillar Tap 150 C/D

Specification Data Sheet



## Features

- Low lying, contra rotating levers allow easy to use handsfree operation
- Clean smooth design for easy cleaning and to help reduce dirt and bacterial growth
- Laminar flow nozzle to reduce the spread of legionella (supplied standard)
- High quality chrome finish for easy cleaning and hygiene maintenance
- Australian Made; therefore, spare parts and support are available locally, reducing maintenance and downtime costs

## To Specify

Australian Made AS/NZS 3718 approved, Galvin Specialised CliniLever® CP-BS Hospital Pillar Tap 150 C/D is developed to support the challenges of hospital and medical preparation areas, including the fight against the spread of bacteria and hospital acquired infections.

Boasting features to help combat the risk of hospital acquired infections (HAI's), our CliniLever® range is easy to use, clean and maintain providing a truly cost effective solution.

### Code:

**TCPTC150C** - CliniLever® CP-BS Hospital Pillar Tap 150 C/D



A family  
owned  
Australian<sup>®</sup>  
business

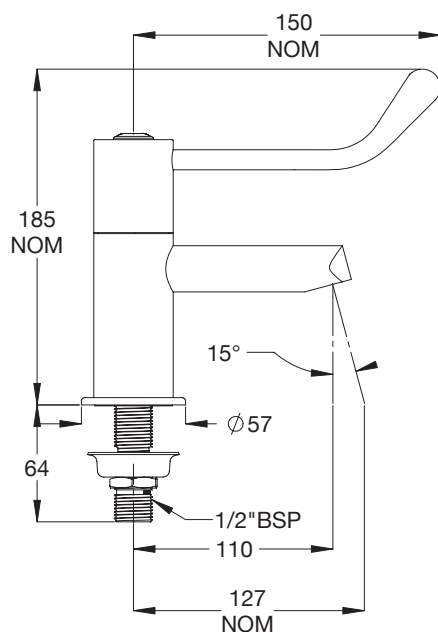


## Performance Standards & Approvals

- AS/NZS 3718 – WaterMark
- WELS 4 Star Rating



## Typical Dimensions



## Technical Information

- Inlet: 1/2" BSP - Male
- Outlet: Laminar Flow
- Headworks: Ceramic Disc
- Working Pressure Range (kPa): 50 - 500
- Maximum Working Temperature (°C): 5 - 65
- Nominal Flow Rate (LPM): 6.74
- Construction: Brass
- Finish: Chrome

## Maintenance & Cleaning

Galvin Engineering products should be cleaned with a soft damp cloth using only mild liquid detergent or soap and water. Do not use cleaning agents containing a corrosive acid, scouring agent or solvents. Do not use cream cleaners, as they are abrasive. Use of unsuitable cleaning agents may damage the surface. Any damage caused in this way will not be covered by warranty.

Regular maintenance should be carried out in accordance with the installation and troubleshooting guides provided with the product, relevant Australian Standards, local authorities and state codes.

As part of maintaining a safe and reliable plumbing system, we recommend tapware and valves are operated on at least a daily basis.

## Warranty

Galvin Engineering products are covered under our Manufacturer's Warranty at [www.galvinengineering.com.au](http://www.galvinengineering.com.au). Galvin Engineering products must be installed in accordance with the installation instructions and in accordance with AS3500 and the PCA, relevant Australian Standards and local authorities applicable to product being installed. Water and electrical supply conditions must also comply to the applicable national and/or state standards, failing to comply with these provisions may void the product warranty and affect performance of the product.

Whilst all reasonable care has been taken in compiling the information in this document, the designs, dimensions and products shown are indicative only and should not be relied upon without our prior approval. Due to our policy of continuous development, we reserve the right to alter any details of specifications or products without notice. All information, drawings, technical specifications and product designs remains the property of Galvin Engineering Pty Ltd.

Within Australia: **1300 514 074** Outside Australia: P: +61 (0)8 9338 2344  
F: +61 (0)8 9338 2340  
sales@galvinengineering.com.au  
[www.galvinengineering.com.au](http://www.galvinengineering.com.au)  
ABN: 78 008 719 382

A business unit of  
**GalvinEngineering**  
the mark of reliability 

PERTH | SYDNEY | MELBOURNE | BRISBANE | ADELAIDE | UNITED STATES OF AMERICA | UNITED KINGDOM | NEW ZEALAND