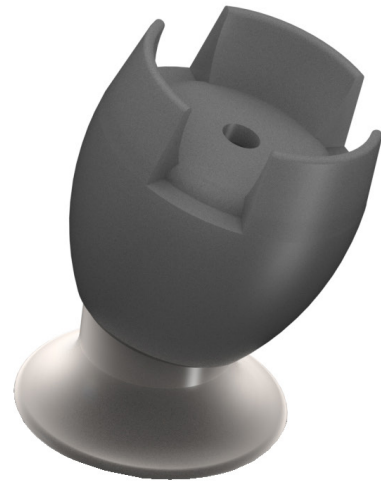
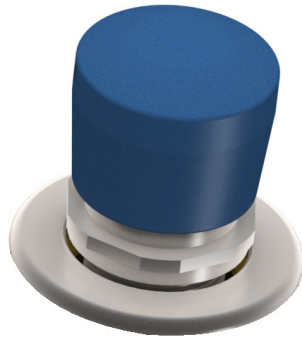


Ezy-Drink® Lead Free Stainless Steel Remote Push Button Drinking Bubbler Tap

Specification Data Sheet



Features

- High quality lead free 316 stainless steel makes it the safest and most robust tap for use in schools and public areas.
- A unique rubber mouthguard has been specially designed to protect teeth in the rough and tough environment of the school yard and playground.
- The mouthguard is made from a nitrile compound which is AS 4020 approved and has high resistance to fungal and bacterial attack.
- The rubber compound used has a high degree of saturation to ensure the unit has a greater resistance to sunlight and environmental ageing and therefore a long life in the field.
- Stainless steel grub screws secure the mouthguard to the body ensuring a high resistance to vandalism.
- Easy to use push button mechanism automatically springs closed when it's released, saving money and reducing water wastage.
- Robust vandal resistant handle increases durability and reduces risk of vandalism.

- Designed and manufactured in Australia therefore spare parts and support are available locally, reducing costs of down time on maintenance.
- Adjustable flow control valve allowing flow adjustments to be completed on-site providing the proper height and volume of water that is easy for users to drink.

To Specify

The AS/NZS 3718 WaterMark approved Ezy-Drink® Lead Free Stainless Steel Remote Push Button Drinking Bubbler Tap is the ultimate choice for drinking fountains. Due to its innovative design and 316 stainless steel construction there is no risk of lead leaching into the water from the tapware.

Code:

TD15XP - Ezy-Drink® Lead Free Stainless Steel Remote Push Button Drinking Bubbler Tap (FI).



A family
owned
Australian
business

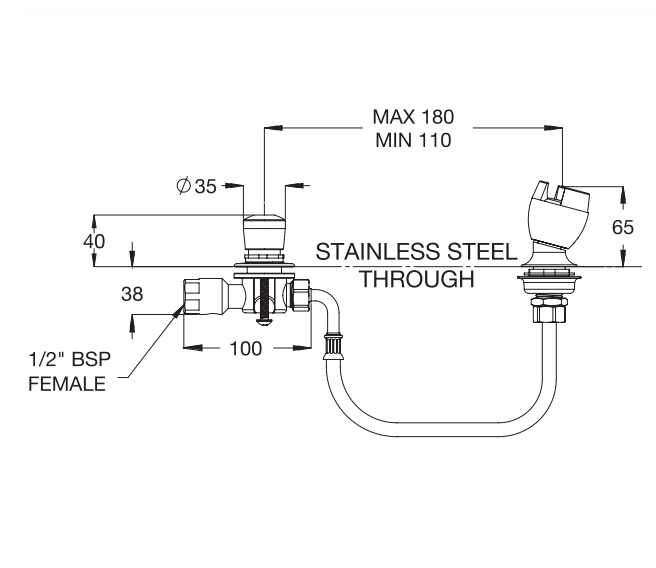


Performance Standards & Approvals

- AS/NZS 3718 – WaterMark
- WELS 6 Star Rating



Typical Dimensions



Technical Information

- Inlet: 1/2" BSP - Female
- Outlet: Rubber Mouthguard
- Headwork: Push Button
- Working Pressure Range (kPa): 100 Min - 500 Max
- Working Temperature Range (°C): 5 Min - 60 Max
- Nominal Flow Rate (LPM): 2
- Construction: 316 Stainless Steel
- Finish: Satin

Maintenance & Cleaning

Galvin Engineering products should be cleaned with a soft damp cloth using only mild liquid detergent or soap and water. Do not use cleaning agents containing a corrosive acid, scouring agent or solvents. Do not use cream cleaners, as they are abrasive. Use of unsuitable cleaning agents may damage the surface. Any damage caused in this way will not be covered by warranty.

Regular maintenance should be carried out in accordance with the installation and troubleshooting guides provided with the product, relevant Australian Standards, local authorities and state codes.

As part of maintaining a safe and reliable plumbing system, we recommend tapware and valves are operated on at least a daily basis.

Warranty

Galvin Engineering products are covered under our Manufacturer's Warranty at www.galvinengineering.com.au. Galvin Engineering products must be installed in accordance with the installation instructions and in accordance with AS3500 and the PCA, relevant Australian Standards and local authorities applicable to product being installed. Water and electrical supply conditions must also comply to the applicable national and/or state standards, failing to comply with these provisions may void the product warranty and affect performance of the product.

Whilst all reasonable care has been taken in compiling the information in this document, the designs, dimensions and products shown are indicative only and should not be relied upon without our prior approval. Due to our policy of continuous development, we reserve the right to alter any details of specifications or products without notice. All information, drawings, technical specifications and product designs remains the property of Galvin Engineering Pty Ltd.

Within Australia: **1300 514 074** Outside Australia: P: +61 (0)8 9338 2344
F: +61 (0)8 9338 2340
sales@galvinengineering.com.au
www.galvinengineering.com.au
ABN: 78 008 719 382

GalvinEngineering 
the mark of reliability

PERTH | SYDNEY | MELBOURNE | BRISBANE | ADELAIDE | UNITED STATES OF AMERICA | UNITED KINGDOM | NEW ZEALAND