

# Ezy-Wash® Wall Mounted Pre-Rinse Unit Type 83W

Specification Data Sheet



## Features

- ¼ turn jumper valve hot and cold control taps with 100mm levers.
- 1000mm long high pressure hose with swivel ends.
- Stainless steel spring.
- Trigger hand spray.
- Bright chrome plate for easy cleaning and added durability.

## To Specify

Our range of Ezy-Wash® Pre-Rinse units are designed to clear excess food debris and sauces off dishes before placing them in commercial dishwashers. Featuring an ergonomic trigger handle which allows easy and intuitive use. Our robust food service range complies with all relevant standards including AS/NZS 3718 and has been tested for cleanability to ASTM F2324-03 at 21.46 seconds. The heavy duty design makes it ideal for installation in all types of applications.

### Code:

**TF83WJS** - Ezy-Wash® CP-BS Wall Mounted Exposed Mixing Pre-Rinse Unit Type 83 FI Inlet - Std



A family  
owned  
Australian  
business



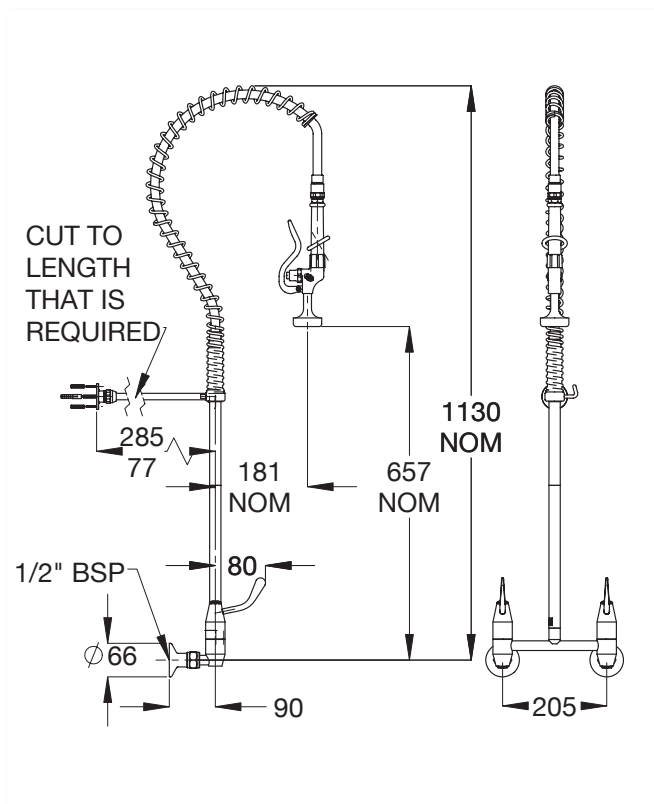
**galvinspecialised**  
commercial taps + fixtures

## Performance Standards & Approvals

- AS/NZS 3718 - WaterMark
- WELS 6 Star Rating



## Typical Dimensions



## Technical Information

- Inlet: 1/2" BSP - Female
- Outlet: Trigger Spray
- Headworks: Jumper Valve
- Working Pressure Range (kPa): 100 Min - 500 Max
- Maximum Working Temperature (°C): 5 Min - 65 Max
- Nominal Flow Rate: 3.5
- Construction: Brass
- Finish: Chrome

## Maintenance & Cleaning

Galvin Specialised products should be cleaned with a soft damp cloth using only mild liquid detergent or soap and water. Do not use cleaning agents containing a corrosive acid, scouring agent or solvents. Do not use cream cleaners, as they are abrasive. Use of unsuitable cleaning agents may damage the surface. Any damage caused in this way will not be covered by warranty.

Regular maintenance should be carried out in accordance with the installation and troubleshooting guides provided with the product, relevant Australian Standards, local authorities and state codes.

As part of maintaining a safe and reliable plumbing system, we recommend tapware and valves are operated on at least a daily basis.

## Warranty

Galvin Specialised products are covered under our Manufacturer's Warranty at [www.galvinengineering.com.au](http://www.galvinengineering.com.au). Galvin Specialised products must be installed in accordance with the installation instructions and in accordance with AS3500 and the PCA, relevant Australian Standards and local authorities applicable to product being installed. Water and electrical supply conditions must also comply to the applicable national and/or state standards, failing to comply with these provisions may void the product warranty and affect performance of the product.

Whilst all reasonable care has been taken in compiling the information in this document, the designs, dimensions and products shown are indicative only and should not be relied upon without our prior approval. Due to our policy of continuous development, we reserve the right to alter any details of specifications or products without notice. All information, drawings, technical specifications and product designs remains the property of Galvin Engineering Pty Ltd.

410 Victoria Rd, Malaga, WA 6090  
 Within Australia: **1300 514 074** Outside Australia: P: +61 (0)8 9249 5900  
 F: +61 (0)8 9249 5916  
[sales@galvinengineering.com.au](mailto:sales@galvinengineering.com.au)  
[www.galvinengineering.com.au](http://www.galvinengineering.com.au)

ABN: 78 008 719 382

PERTH | SYDNEY | MELBOURNE | BRISBANE | ADELAIDE

A business unit of

**GalvinEngineering**   
 the mark of reliability