

ProLab® Burning Gases 1-Way Gas Turret Straight Bench Mounted LP Gas Lift/Turn

Specification Data Sheet



ProLab® Lift Turn Burning Gases Benefits

The Galvin Specialised ProLab® Dry Services range has been researched and specifically designed to operate efficiently in today's laboratory.

- Vandal resistant fittings are standard which are suitable for both educational and research labs.
- Polyester powder coating provides better chemical UV light and heat resistance than chrome plating.
- Quality controlled. Every tap is tested.
- Colour coded handles - Chemical symbols according to EN 13792 for convenient indication of media.

To Specify

The TG Lift Turn series of ProLab® laboratory turrets are supplied standard with tube nozzle, DIN 13792 approved easy use handle and button, 15mm male BSP inlet all finished in white epoxy coat.

Code: TG37ELT

ProLab® Burning Gases 1-Way Gas Turret Straight Bench Mounted LP Gas Lift/Turn

Media

- | | |
|---------------------|-----------------------|
| - Natural gas | - Propene (Propylene) |
| - Propane/butane | - Butene (Butylene) |
| - Propane | - Methane |
| - Butane | - Acetylene |
| - Ethene (Ethylene) | |



A family
owned
Australian
business



galvinspecialised
commercial taps + fixtures

Technical Specifications

Handle: Plastic with media indication according to EN13792

Hose nozzle: Detachable serrated nozzle, suitable for 8mm to 13mm ID rubber hose

Headwork: Ball valve

Opening/closing function: Lift to open and rotate to engage, reverse operation to close.

Min/Max. Working pressure: 0 - 7kPa

Recommend Working pressure: 1 to 3kPa

Performance Standards & Approvals

- AGA Approved – Lic 5096

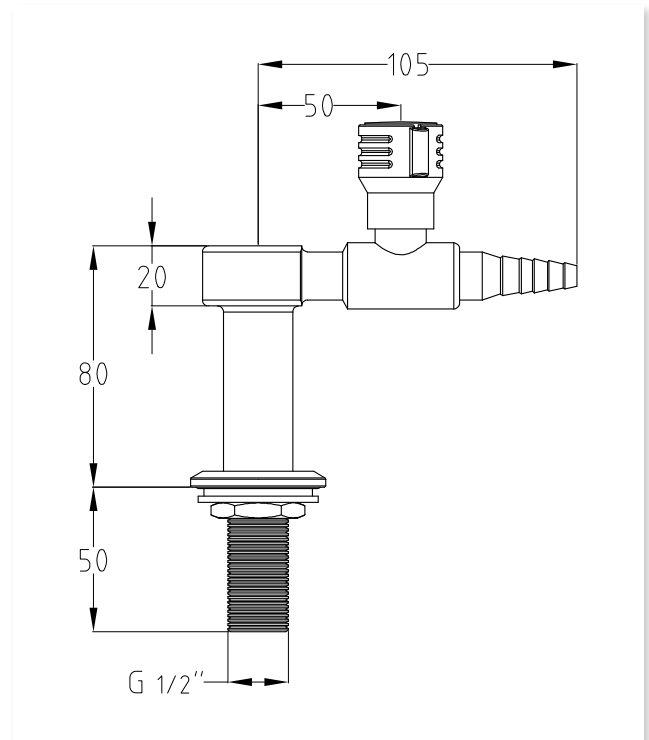


Maintenance & Cleaning

Galvin Specialised products should be cleaned with a soft damp cloth using only mild liquid detergent or soap and water. Do not use cleaning agents containing a corrosive acid, scouring agent or solvents. Do not use cream cleaners, as they are abrasive. Use of unsuitable cleaning agents may damage the surface. Any damage caused in this way will not be covered by warranty.

Regular maintenance should be carried out in accordance with the installation and troubleshooting guides provided with the product, relevant Australian Standards, local authorities and state codes.

Typical Dimensions



Warranty

Galvin Specialised products are covered under our Manufacturer's Warranty at www.galvinengineering.com.au. Galvin Specialised products must be installed in accordance with the installation instructions and in accordance with AS3500 and the PCA, relevant Australian Standards and local authorities applicable to product being installed. Water and electrical supply conditions must also comply to the applicable national and/or state standards, failing to comply with these provisions may void the product warranty and affect performance of the product.

Whilst all reasonable care has been taken in compiling the information in this document, the designs, dimensions and products shown are indicative only and should not be relied upon without our prior approval. Due to our policy of continuous development, we reserve the right to alter any details of specifications or products without notice. All information, drawings, technical specifications and product designs remains the property of Galvin Engineering Pty Ltd.

410 Victoria Rd, Malaga, WA 6090

Within Australia: **1300 514 074** Outside Australia: P: +61 (0)8 9249 5900

F: +61 (0)8 9249 5916

sales@galvinspecialised.com.au

www.galvinspecialised.com.au

ABN: 78 008 719 382

PERTH | SYDNEY | MELBOURNE | BRISBANE | ADELAIDE

A business unit of

GalvinEngineering
the mark of reliability

